

19" Intel Platform Marine Panel PC



Model no.:
WMARC1900A1-I



Mechanical and Environmental

Mechanical Mounting : Panel (Flush) mount with IP65*, VESA Bracket mounting
Operating Temperature : -10 to 55 deg.C(-20 to 60 deg.C for optional heating)
Operating Humidity : 5% to 95% (non condensing)
Anti-Vibration : 5Hz~500Hz / IGrms/3 Axis
Anti-Shock : 15G, 11ms duration
*SAW touch for IP54

Input/Output Connectors

Ethernet LAN : 2 x RJ45-10/100/1000 Mbps
Keyboard / Mouse : 2 x PS/2
COM : 2 x RS232, 1 x RS232/422/485 9P DSUB(male)
USB : 4 x USB Type-A receptacle
RGB Out : 1 x VGA (female)
Audio : 1 x Audio Jack (Line-out, Line-in, Micro In)
DC Power : 1 x DC Terminal block
AC Power : 1 x Std. IEC Inlet (Option)

Available Options

Touch Screen Options : SAW, 5 Wire Resistive
AR Safety Glass Option : 3mm Anti-reflective protection glass
AC Power Options : 90 to 265 V AC power input
Bracket and Stand Options : Yes (One robust bracket can adjust from -10 to 30 deg.)

TFT Characteristics

Pixel Number : 1280 x 1024
Pixel Pitch(R&B) : 0.294 (H) x 0.294 (V) mm
Contrast Ratio : 1000:1(typ.)
Light Intensity : 400 cd/m2 (typ.)
Viewable Angle : -80~80 (H);-80~80 (V)
Active Display Area : 336.32 (H) x 301.06 (V) mm
Max Colors : 16.7M (8bit/colors)

SBC Specifications

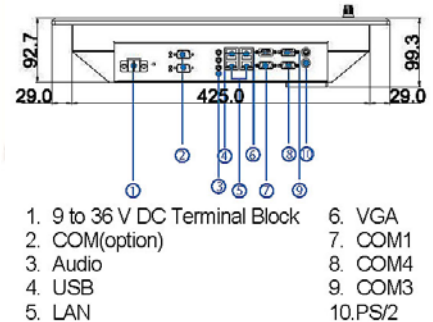
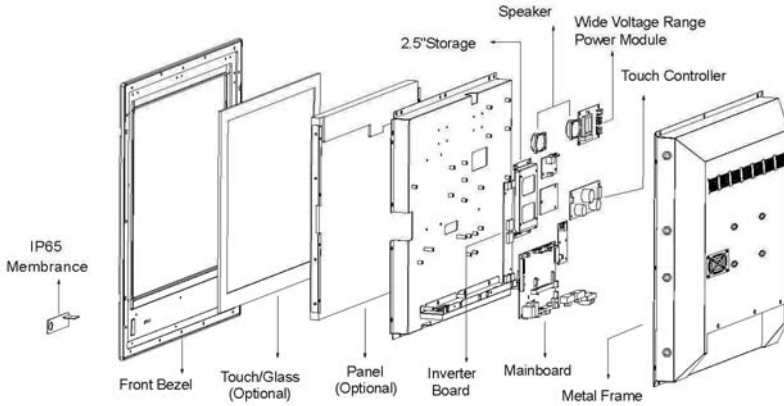
Processor : Socket 479 for Intel Pentium M/Celeron M
up to 1.73 GHz (Default Celeron M 1GHz Fanless)
BIOS : Award 4Mbit
System Chipset : Intel 855GME/ICH4
Memory Slot : 1 x 184-pin DDR DIM, max 1GB (Default 512MB)
Graphic Chipset : Intel 855GME integrated (64MB shared)
IDE : 2 x IDE(UDMA33/66/100)
Compact Flash : 1 x Type I/II CF Socket (Optional)
KB / Mouse Connector : 2 x PS/2
Ethernet : Dual Realtek RTL81110SC Gigabyte Ethernet
VGA : 1 x VGA Connector
Audio : Built-in Audio + AC97 Codec
USB Ports : 6 x USB (4x USB on backside I/O)
Serial Ports : 3 x RS232, (1 is optional), 1 x RS232/422/485
Hard Drive : 3.5" 80GB
Expansion slot : 1 x PCI, 1 x Mini PCI

Certifications and Approvals

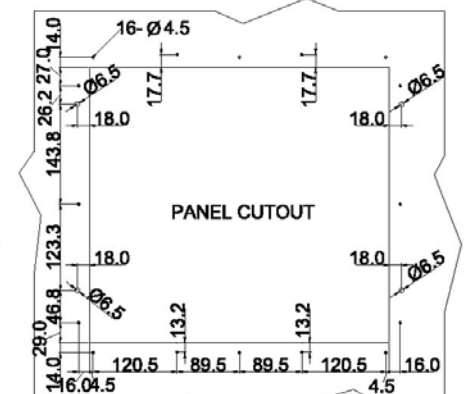
- CE, FCC

Power Specification

Power Supply Options : 9 to 36 V DC to DC power supply w/ Terminals Block (Default), 90 to 265V AC power supply
Power Consumption : 86 W typical, normal operation

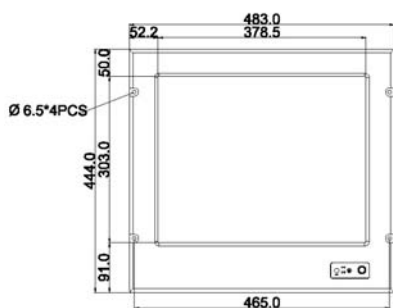


BOTTOM VIEW

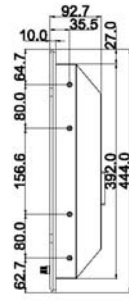


All Dimensions are ± 0.5 mm

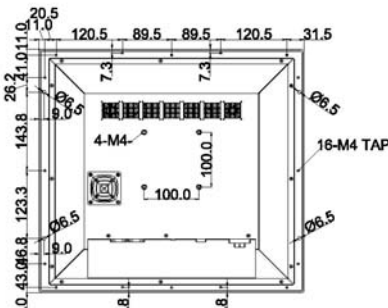
Modularized Construction



FRONT VIEW



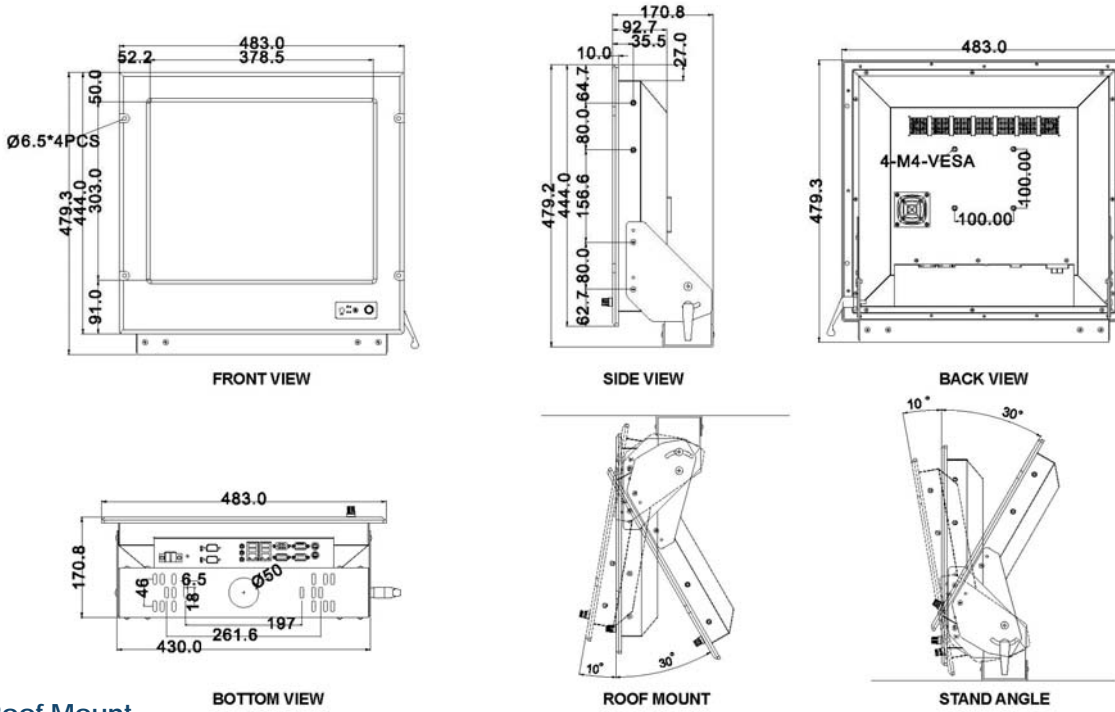
SIDE VIEW



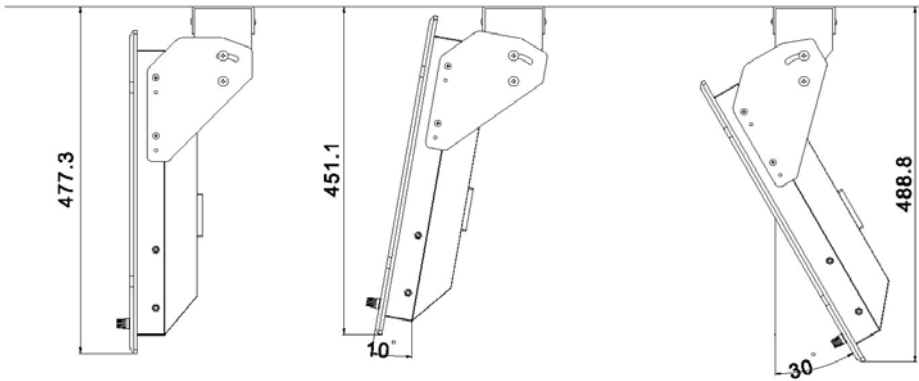
BACK VIEW

19" Intel Platform Marine Panel PC

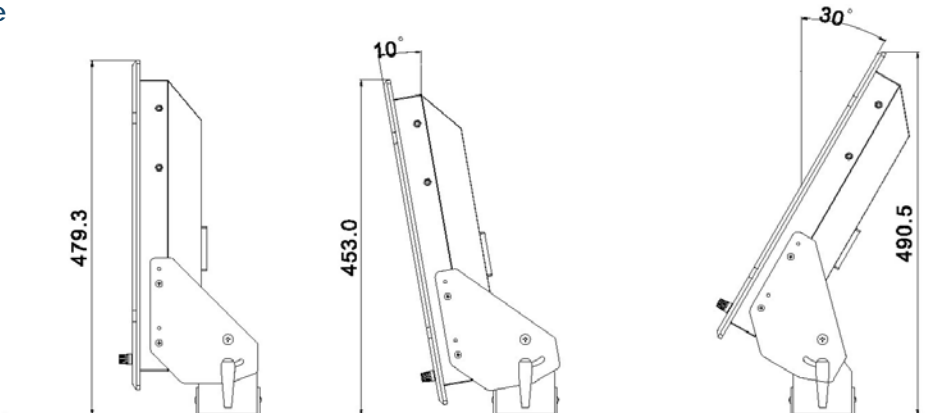
Mechanical Design with Robust Bracket (Options)



Roof Mount



Stand Angle



* Note: this is a simplified drawing and some components are not marked in detail. Please contact our sales representative if you need further product information.

Certification and Approvals : CE, FCC

All Dimensions are $\pm 0.5\text{mm}$



i-Tech Company LLC
 TOLL FREE: (888) 483-2418 • EMAIL: info@itechlcd.com • WEB: www.iTechLCD.com