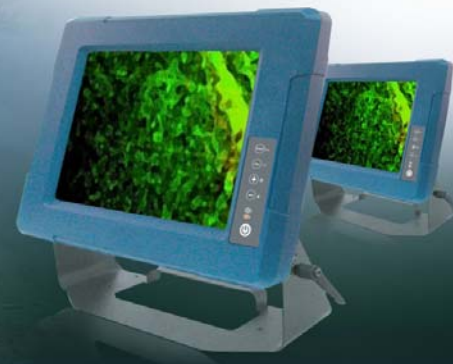
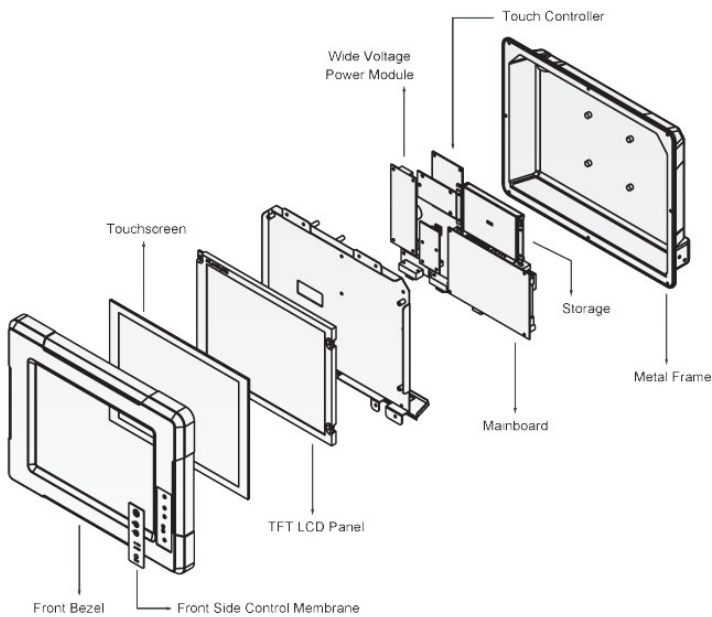


Ruggedized Military LCD Display

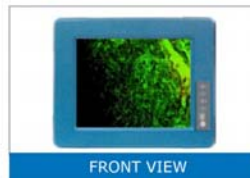
8.4" Full NEMA4 Wide Temperature
and Dust/water resistant Protection,
Anti-Shock and Vibration LCD.
Model: WMRD0840M2



Modularized Construction



Optional for Mounting Bracket



FRONT VIEW



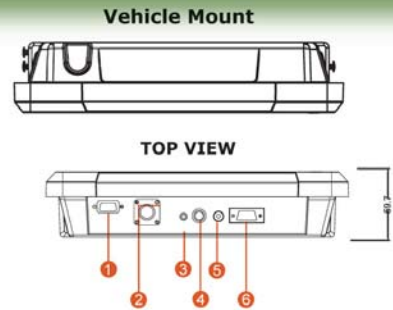
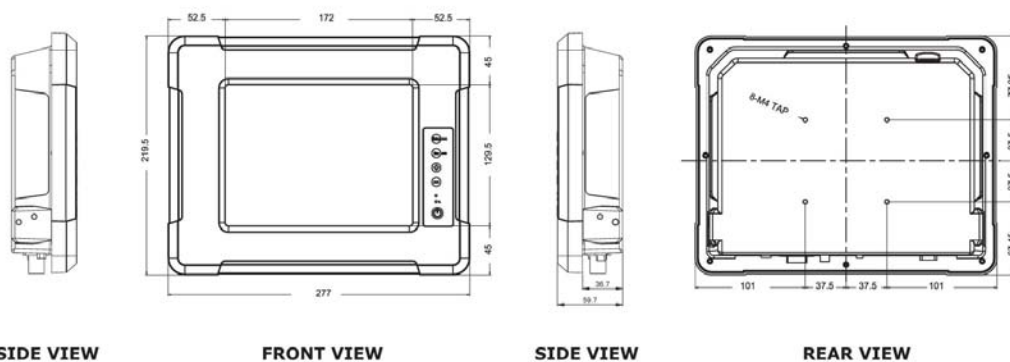
BOTTOM VIEW

Features:

- High Quality 8.4" XGA Panel, 1024x768 resolution
- Full IP65 Dust/Water Proof Enclosures (Except I/O parts)
- Aluminum Housing with Anti-Corrosion Treatments
- Anti-Shock and Vibration Standard according to MIL810F & IEC60068-2-27
- 5 Wire Resistive / Anti-Reflective Protection Glass (Optional)
- Wide Range 8 to 36V DC Input Acceptable (Optional)
- Transflective Sunlight Readable (Optional)
- Extended Temperature Range (Optional)

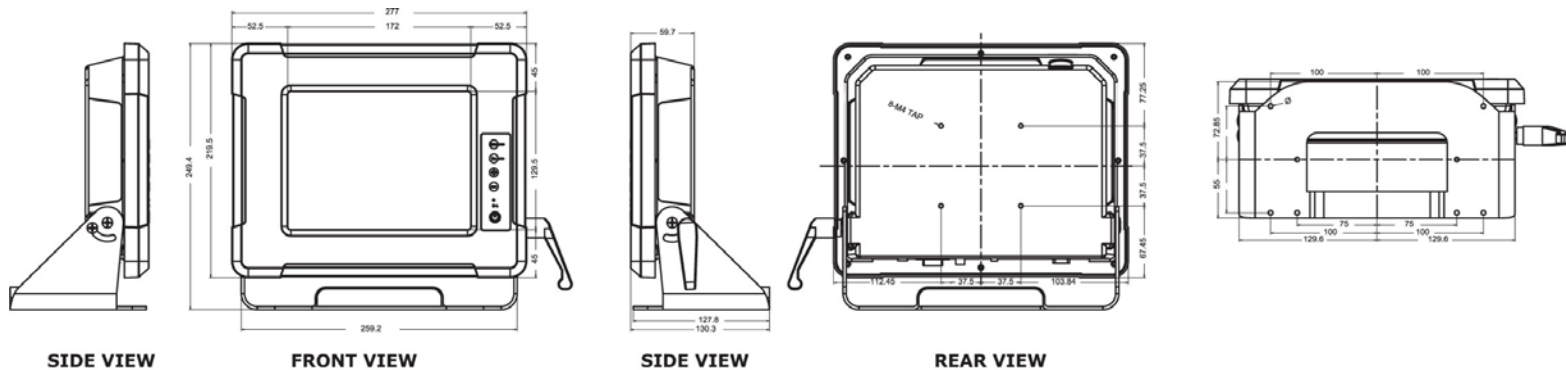


Model: WMRD0840M2



1. RS232 for Touch (Optional for touch)
2. Military Grade Lockable (MS27467T9F98S) Power Connector
3. Line out (Optional)
4. S-Video (Optional)
5. Composite (Optional)
6. VGA

Drawing with Mounting Bracket



Measurements shown in mm / All Dimensions are ± 0.5 mm

* Note: this is a simplified drawing and some components are not marked in detail. Please contact our sales representative if you need further product information.

Display Specification

Pixel Number	1024 x 768
Pixel Pitch (mm)	0.213 (H) x 0.213 (V) mm
Contrast Ratio	400 : 1 (typ.)
Brightness	300 cd/m ² (typ.)
Viewable Angle(CR \geq 10)	-65~65 (H); -50~60 (V)
Active Display Area	171.264(H) x 128.448(V) mm
Max Colors	262,144 (6bits/color)
Touch(Optional)	5 Wire Resistive / IT Touch

Mechanical and Environment

Dimensions (W x L x H)	277 mm x 219.5 mm x 59.7mm
Power Input	12V DC / MIL-grade connector
Power Consumption	25W typ.
Operating Temperature	-10 deg.C to 55 deg.C
Operating Humidity	10% to 95% (non condensing)
Mounting	VESA mount, Vehicle mount
Shock	Operating:30g for 18ms, 300m/s ²
Vibration	Operating: 1.60/1.96/2.18 g rms for XYZ / 5-500Hz

I/O Connectors

Back Panel I/O Port	1 x VGA(DB-15) Military Grade Lockable (MS27467T9F98S) Power Connector 1x RS232 for Touch Screen(Optional w/ touch)
---------------------	--

Certificates

CE
FCC ClassB
MIL810F/ IEC60068-2-27 for Vibration /Shock

In front Control

Control Button	Menu / Enter Button Auto-adjust / Esc Button Brightness Up / Increase Button Brightness Down / Decrease Button Display Power Button
Led indicator	Power On/ Off Display Sleep

Product Optional items

Mounting Bracket and Kits	One robust bracket with locking handle (Can adjust from -5deg. to 90deg.)
Video Input	Composite Video, S-Video for optional
Audio Out	Audio Line out for optional
Sunlight Readable	Transflective film enhancement for optional/N/A
Wide Temperature	Extended temperature -20 to 60 deg. C module build-in for optional
Anti-reflective Glass	3mm Anti-reflective Protection Glass (w/o Touch)
Wide Power Input Range	8V to 36V wide range acceptable for optional
Terminal Block	Pluggable 3pin terminal block power input

