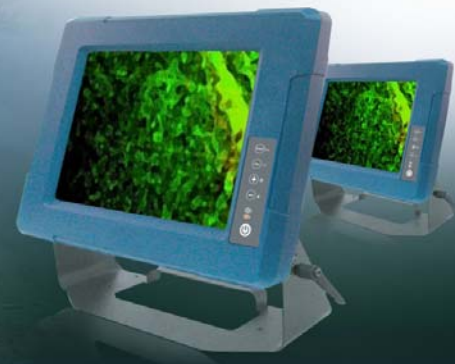
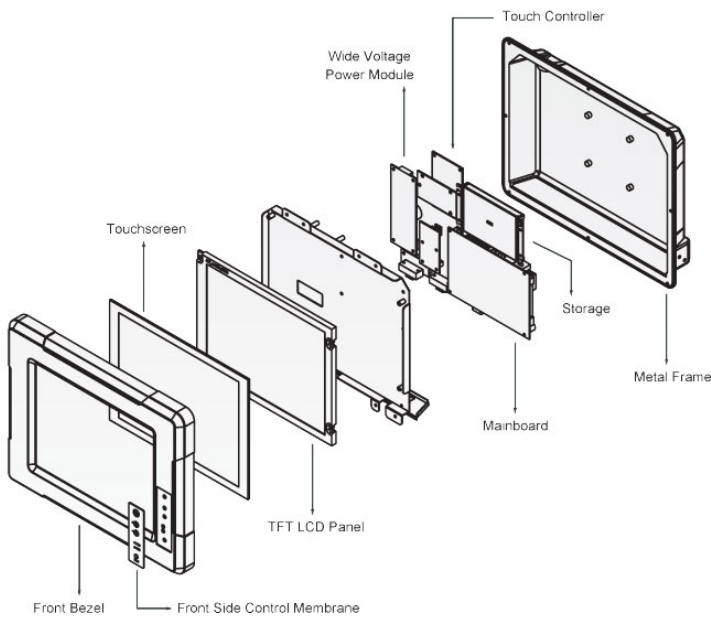


Ruggedized Military LCD Display

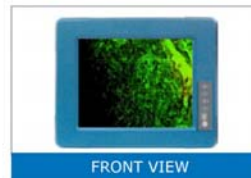
10.4" Full NEMA4 Wide Temperature
and Dust/water resistant Protection,
Anti-Shock and Vibration LCD.
Model: WMRD1040P1



Modularized Construction



Optional for Mounting Bracket



FRONT VIEW



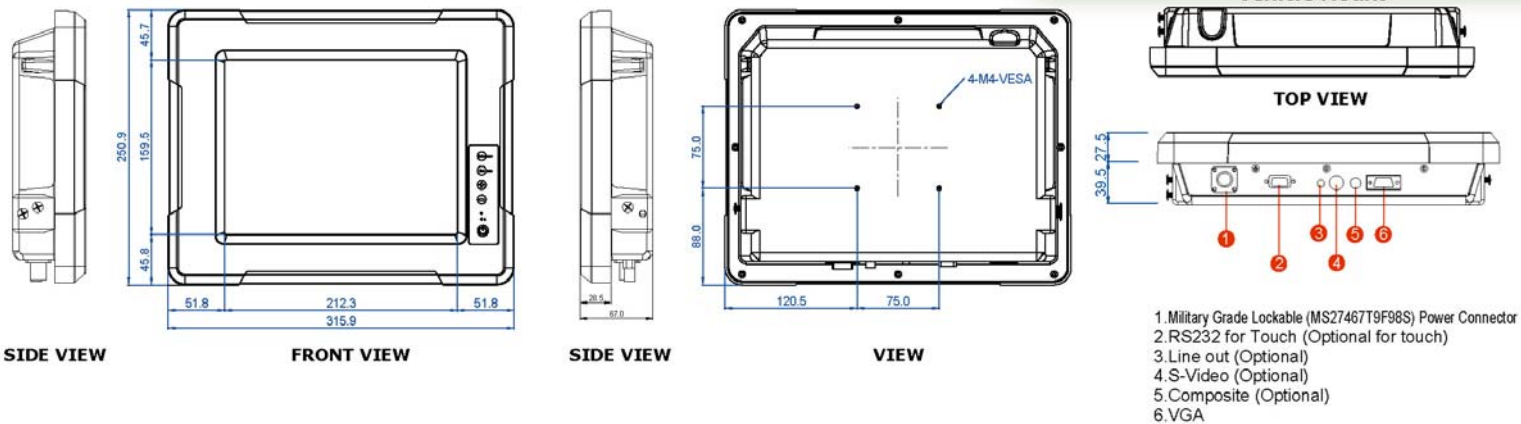
BOTTOM VIEW

Features:

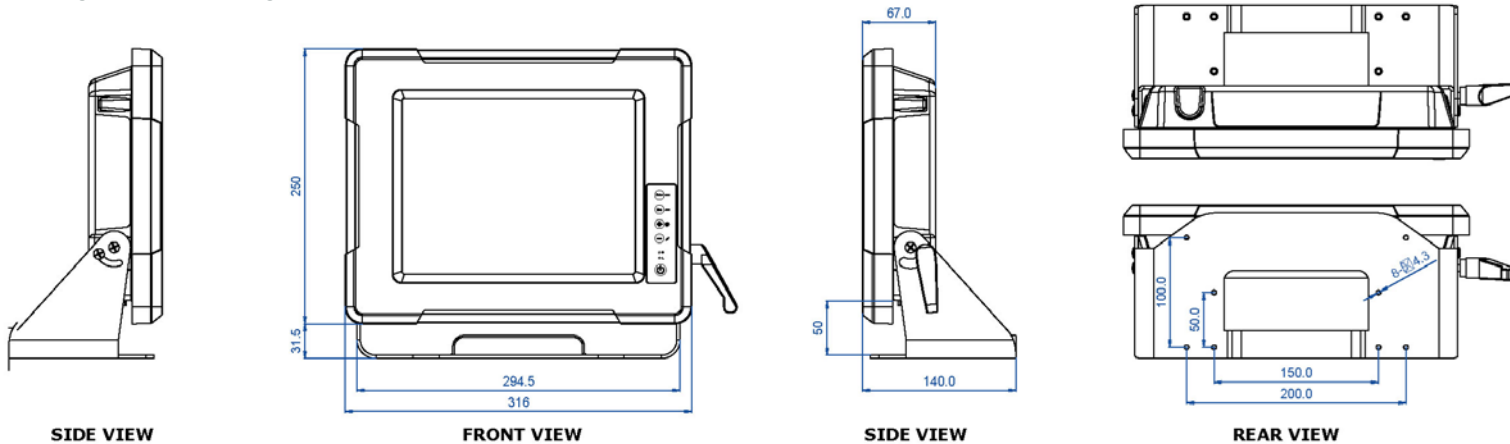
- High Quality 10.4" SVGA Panel, 800x600 resolution
- Full IP65 Dust/Water Proof Enclosures (Except I/O parts)
- Aluminum Housing with Anti-Corrosion Treatments
- Anti-Shock and Vibration Standard according to MIL810F & IEC60068-2-27
- 5 Wire Resistive / Infrared Touchscreen / Anti-Reflective Protection Glass (Optional)
- Wide Range 8 to 36V DC Input Acceptable (Optional)
- Transflective Sunlight Readable and Extended Temperature Range (Optional)



Model: WMRD1040P1



Drawing with Mounting Bracket



Measurements shown in mm / All Dimensions are ± 0.5 mm

★ Note: this is a simplified drawing and some components are not marked in detail. Please contact our sales representative if you need further product information.

I/O Connectors

Pixel Number	800 x 600
Pixel Pitch (mm)	0.264 (H) x 0.264 (V) mm
Contrast Ratio	500 : 1 (typ.)
Brightness	350 cd/m ² (typ.)
Viewable Angle(CR \geq 10)	-60~60 (H); -60~40 (V)
Active Display Area	211.2(H) x 158.4(V) mm
Max Colors	262144 (6bits/color)
Touch(Optional)	5 Wire Resistive / IT Touch

Mechanical and Environment

Dimensions (W x L x H)	315 mm x 250 mm x 67mm
Power Input	12V DC / MIL-grade connector
Power Consumption	20W typ.
Operating Temperature	-10 deg.C to 55 deg.C
Operating Humidity	10% to 95% (non condensing)
Mounting	VESA mount, Vehicle mount
Shock	Operating: 30g for 18ms, 300m/s ²
Vibration	Operating: 1.60/1.96/2.18 g rms for XYZ / 5-500Hz

In front Control

Back Panel I/O Port	1 x VGA(DB-15) Military Grade Lockable (MS27467T9F98S) Power Connector 1x RS232 for Touch Screen(Optional w/ touch)
Control Button	Menu / Enter Button Auto-adjust / Esc Button Brightness Up / Increase Button Brightness Down / Decrease Button Display Power Button
Led indicator	Power On/ Off Display Sleep

Certificates

CE
FCC ClassB
MIL810F/ IEC60068-2-27 for Vibration / Shock

Product Optional items

Mounting Bracket and Kits	One robust bracket with locking handle (Can adjust from -5deg. to 90deg.)
Video Input	Composite Video, S-Video for optional
Audio Out	Audio Line out for optional
Sunlight Readable	Transflective film enhancement for optional
Wide Temperature	NA
Anti-reflective Glass	Infrared Touchscreen, 3mm Anti-reflective Protection Glass (w/o Touch)
Wide Power Input Range	8V to 36V wide range acceptable for optional
Terminal Block	Pluggable 3pin terminal block power input

