

Ruggedized Panel PC

Military Grade Rugged Portable Panel PC
Intel Atom 8.4" Full NEMA4 Wide Temperature
and Dust/water resistant Protection.
(Model: WMRDPC0840M2-A)

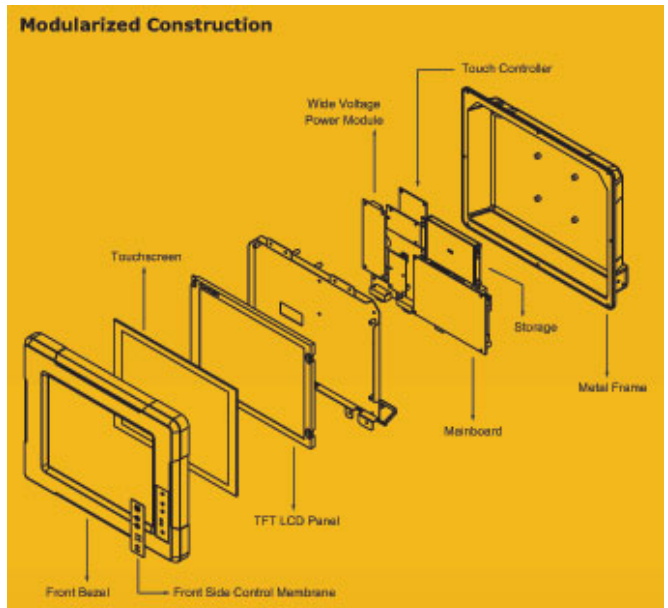


Features:

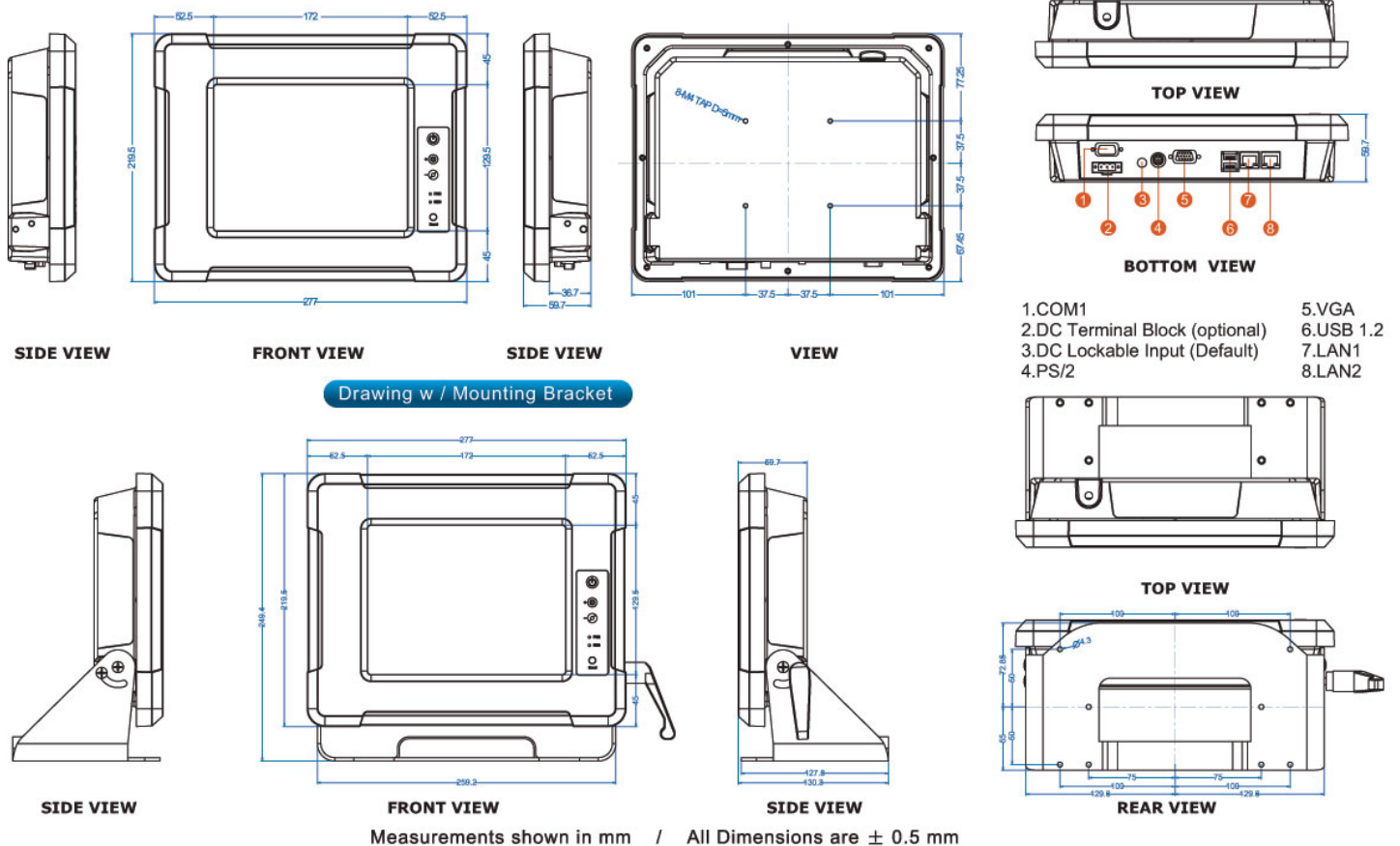
- Intel Atom N270 1.6 GHz Processor Fanless Design
- High Quality 8.4" Panel, 1024x768 resolution
- Full IP65 Dust/water resistant Protection (Except I/O parts)
- Aluminum Housing with Anti-Corrosion Treatments
- Anti-Shock and Vibration Standard according to MIL810F & IEC60068-2-27
- 5 Wire Resistive Touchscreen
- 802.11b/g Wireless LAN with Antenna(Optional)
- Wide Range 8 to 36V DC Input Acceptable(Optional)
- Transflective Sunlight Readable and Extended Wide Temperature Range(Optional)



Optional for Mounting Bracket



Mechanical Drawing:



TFT Characteristics

| | |
|------------------------|---------------------------|
| Pixel Number | 1024x768 |
| Pixel Pitch (mm) | 0.16725 (H) x 0.16725 (V) |
| Contrast Ratio | 400:1 (typ.) |
| Brightness | 300 (typ.) |
| Viewable Angle(CR>=10) | -65~65 (H); -50~60 (V) |
| Active Display Area | 171.264 (H) x 128.448 (V) |
| Max Colors | 262,144 (6bits/color) |

SBC Specifications

| | |
|---------------------|--|
| Processor | Intel Atom N270 1.6 GHz Processor |
| BIOS | AMI 4Mbit Flash |
| System Chipset | Intel 945GSE / ICH7M Chipset |
| System Memory | 1 x SODIMM, Max 2GB DDR2 667/533 |
| Wireless (Optional) | 1 x Mini PCI base Wireless LAN card with SMA antenna |
| LAN Controller | Dual Realtek RTL8111B GigaLAN |
| Storage | 4G Compact Flash Card |
| Expansion Slot | 1 x Mini PCI, 1 x CF |

I/O Connectors

| | |
|---------------------|---|
| Back Panel I/O Port | 2 x RJ-45(10/100 Mbps, Optional GigaLAN), 1 x PS/2, 1 x VGA(DB-15), 1 x DC-in Jack(Lockable), 2 x USB 2.0, 1 x RS232/422/485, WLAN antenna SMA in top (Optional) |
|---------------------|---|

Certificates

CE
FCC ClassB
MIL810F/ IEC60068-2-27 for Vibration /Shock

Mechanical and Environment

| | |
|------------------------|---|
| Dimensions (W x L x H) | 277 mm x 219.5 mm x 59.7mm |
| Power Input | 12V DC w/ lockable connector |
| Power Consumption | 54.5W typ. |
| Operating Temperature | -10 deg.C to 55 deg.C |
| Operating Humidity | 10% to 95% (non condensing) |
| Shock | Operating:30g for 18ms, 300m/s ² |
| Vibration | Operating: 1.60/1.96/2.18 g rms for XYZ / 5-500Hz |

In Front Control

| | |
|----------------|--|
| Control Button | Power On/ Off Reset Brightness Up Brightness Down |
| Led indicator | Power On/ Off HDD Status |

Product Optional items

| | |
|---------------------------------------|--|
| Mounting Bracket and Kits | One robust bracket with locking handle (Can adjust from -5deg. to 90deg.) |
| Sunlight Readable | Transflective film enhancement for optional |
| Wide Temperature Range | Extended temperature -20 to 60 deg. C module build-in for optional |
| Operation System | Windows XP embedded, Windows XP, Windows CE 5.0, Linux 2.6.11 |
| Storage WLAN | 4G Industrial Compact Flash Card Mini PCI base Wireless LAN card with SMA antenna |
| Wide Power Input Range Terminal Block | 8V to 36V wide range acceptable for optional Pluggable 3pin terminal block power input |