

Ruggedized Panel PC

Military Grade Rugged Portable Panel PC
Intel Atom 8.4" Full NEMA4 Wide Temperature
and Dust/water resistant Protection.
(Model: WMRDPC0840T1-A)

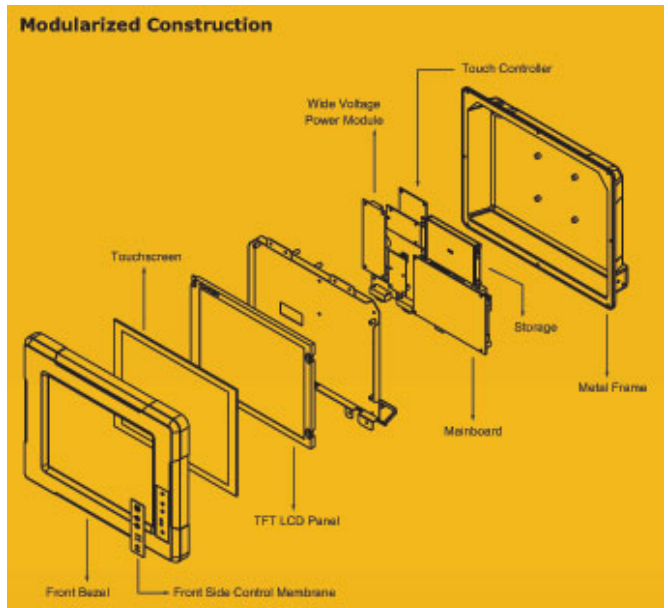


Features:

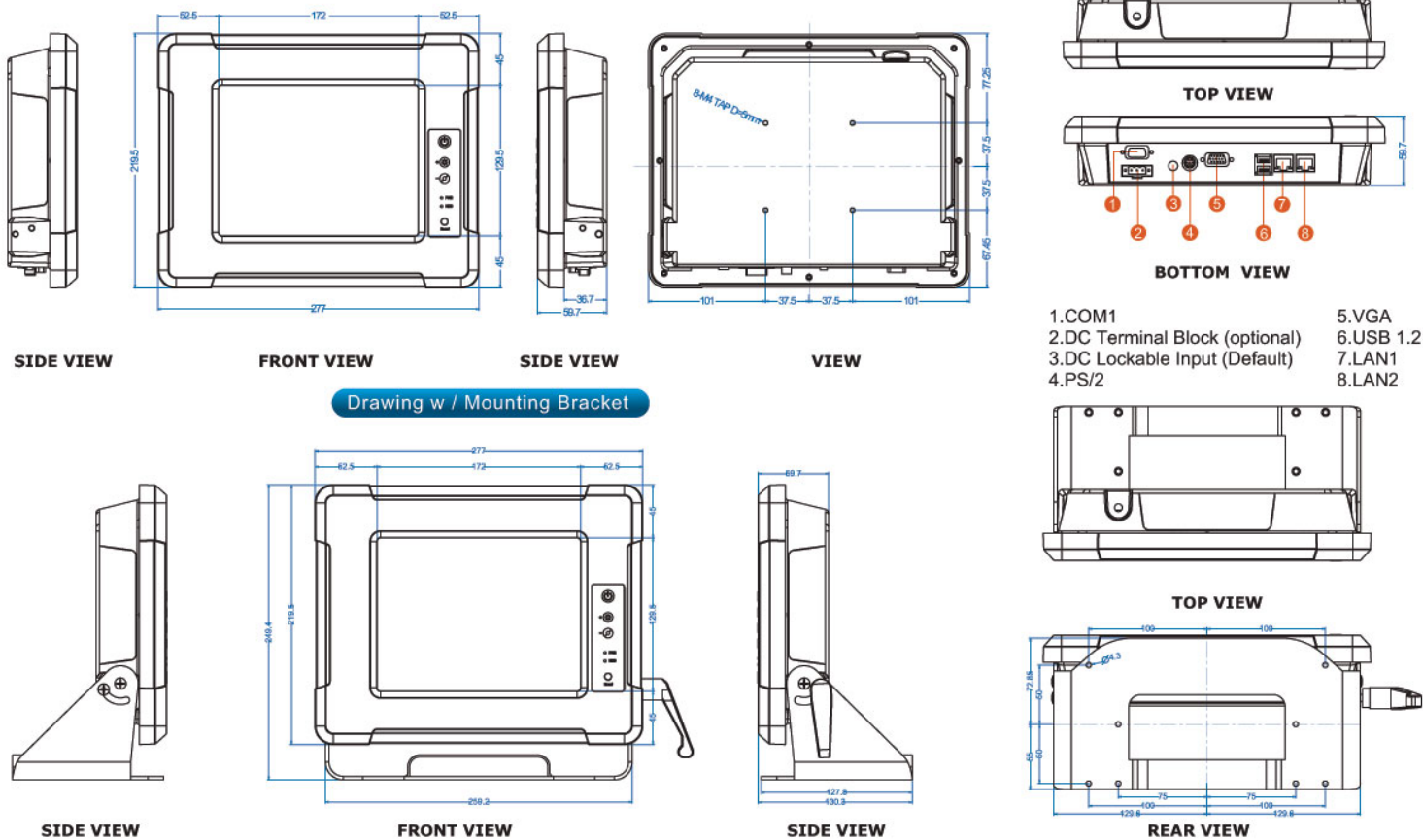
- Intel Atom N270 1.6 GHz Processor Fanless Design
- High Quality 8.4" Panel, 800x600 resolution
- Full IP65 Dust/water resistant Protection (Except I/O parts)
- Aluminum Housing with Anti-Corrosion Treatments
- Anti-Shock and Vibration Standard according to MIL810F & IEC60068-2-27
- 5 Wire Resistive Touchscreen
- 802.11b/g Wireless LAN with Antenna(Optional)
- Wide Range 8 to 36V DC Input Acceptable(Optional)
- Transflective Sunlight Readable(Optional)



Optional for Mounting Bracket



Mechanical Drawing:



* Note: this is a simplified drawing and some components are not marked in detail. Please contact our sales representative if you need further product information.

TFT Characteristics

Pixel Number	800 x 600
Pixel Pitch (mm)	0.213 (H) x 0.213 (V) mm
Contrast Ratio	250 : 1(typ.)
Brightness	350 cd/m2 (typ.)
Viewable Angle(CR>=10)	100 (H); 90 (V)
Active Display Area	170.4(H) x 127.8(V) mm
Max Colors	262,144 (6bits/color)

SBC Specifications

Processor	Intel Atom N270 1.6 GHz Processor
BIOS	AMI 4Mbit Flash
System Chipset	Intel 945GSE / ICH7M Chipset
System Memory	1 x SODIMM, Max 2GB DDR2 667/533
Wireless (Optional)	1 x Mini PCI base Wireless LAN card with SMA antenna
LAN Controller	Dual Realtek RTL8111B GigaLAN
Storage	4G Compact Flash Card
Expansion Slot	1 x Mini PCI, 1 x CF

I/O Connectors

Back Panel I/O Port	2 x RJ-45(10/100 Mbps,Optional GigaLAN), 1 x PS/2, 1 x VGA(DB-15), 1 x DC-in Jack(Lockable), 2 x USB 2.0, 1 x RS232/422/485, WLAN antenna SMA in top (Optional)
---------------------	--

Certificates

CE
FCC ClassB
MIL810F/ IEC60068-2-27 for Vibration /Shock

Mechanical and Environment

Dimensions (W x L x H)	277 mm x 219.5 mm x 59.7mm
Power Input	12V DC w/ lockable connector
Power Consumption	25W typ.
Operating Temperature	-10 deg.C to 55 deg.C
Operating Humidity	10% to 95% (non condensing)
Mounting	VESA mount, Vehicle mount
Shock	Operating:30g for 18ms, 300m/s2
Vibration	Operating: 1.60/1.96/2.18 g rms for XYZ / 5-500Hz

In Fornt Control

Control Button	Power On/ Off Reset Brightness Up Brightness Down
Led indicator	Power On/ Off HDD Status

Product Optional items

Mounting Bracket and Kits	One robust bracket with locking handle (Can adjust from -5deg. to 90deg.)
Sunlight Readable	Transflective film enhancement for optional
Wide Temperature Range	N/A
Operation System	Windows XP embedded, Windows XP, Windows CE 5.0, Linux 2.6.11
Storage	4G Industrial Compact Flash Card
WLAN	Mini PCI base Wireless LAN card with SMA antenna
Wide Power Input Range	8V to 36V wide range acceptable for optional
Terminal Block	Pluggable 3pin terminal block power input