

Ruggedized Panel PC

Military Grade Rugged Portable Panel PC
Intel Atom 10.4" Full NEMA4 Wide Temperature
and Dust/water resistant Protection.
(Model: WMRDPC1040M3-A)

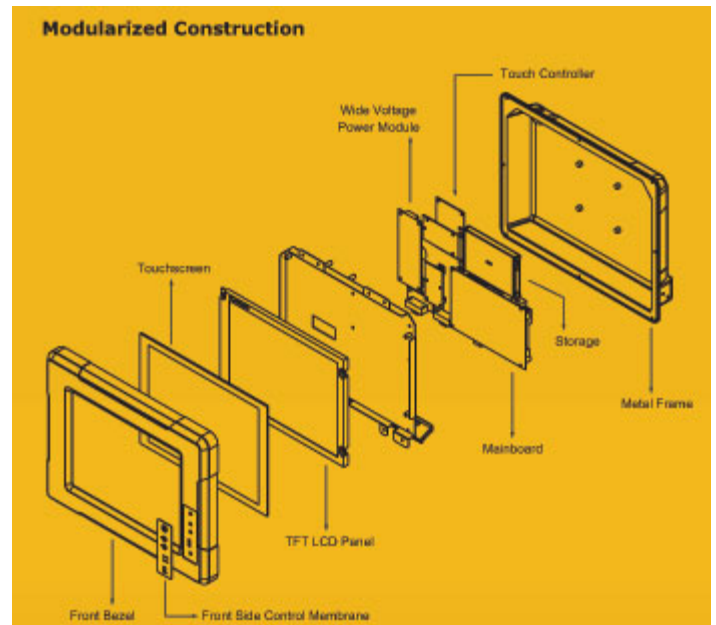


Features:

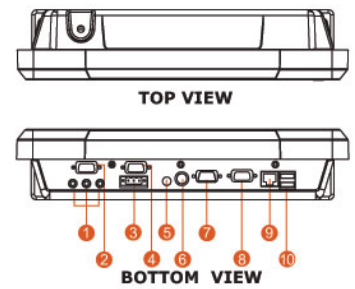
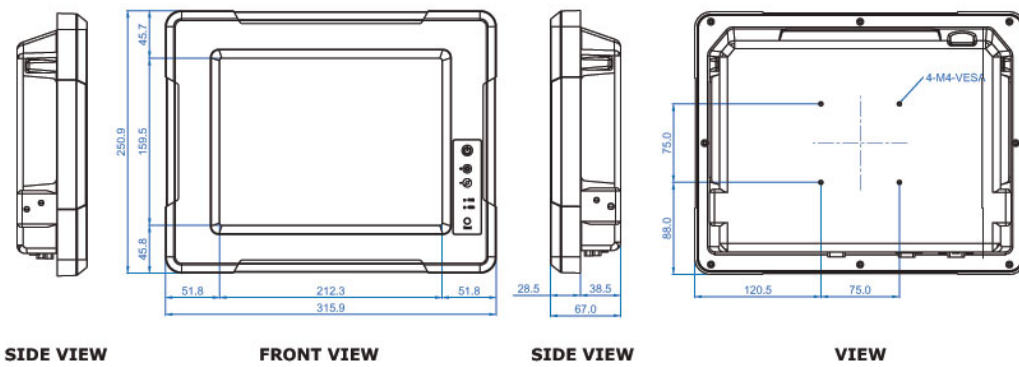
- Intel ATOM N270 1.6GHz
- High Quality 10.4" Panel, 1024x768 resolution
- Full IP65 Dust/Water Proof Enclosures (Except I/O parts)
- Aluminum Housing with Anti-Corrosion Treatments
- Anti-Shock and Vibration Standard according to MIL810F & IEC60068-2-27
- 5 Wire Resistive / Infrared
- 802.11b/g Wireless LAN with Antenna (Optional)
- Wide Range 8 to 36V DC Input Acceptable (Optional)
- Transflective Sunlight Readable (Optional)



Optional for Mounting Bracket

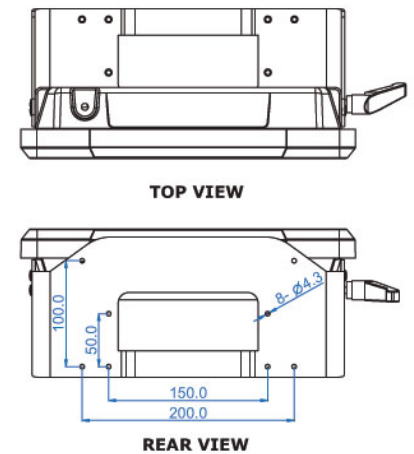
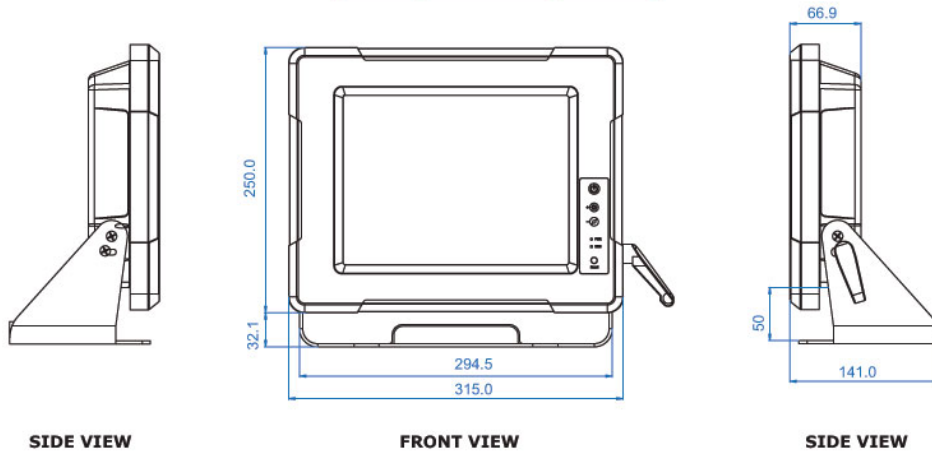


Mechanical Drawing:



1. Line in, Line out , Micro in
2. COM2 (optional)
3. DC Terminal Block (optional)
4. COM1
5. DC Lockable Input (Default)
6. PS/2
7. RS232
8. VGA
9. LAN
10. USB

Drawing w / Mounting Bracket



Measurements shown in mm / All Dimensions are ± 0.5 mm

System Specifications

Processor	Intel ATOM N270 1.6GHz
BIOS	AMI 4Mbit Flash
System Chipset	Intel 945GME / ICH7M Chipset
System Memory	1 x DDR2 SO-DIMM, Max 2GB
Wireless (Optional)	1x Mini PCI base Wireless LAN card with SMA antenna
LAN Controller	Realtek RTL8111B GigaLAN
Storage	2.5" 80G HDD
Expansion Slot	1 x Mini PCI, 1 x CF

Mechanical and Environment

Dimensions (W x L x H)	315 mm x 250 mm x 67mm
Power Input	12V DC w/ lockable connector
Power Consumption	53W typ.
Operating Temperature	-10 deg.C to 55 deg.C
Operating Humidity	10% to 95% (non condensing)
Mounting	VESA mount, Vehicle mount
Shock	Operating: 30g for 18ms, 300m/s ²
Vibration	Operating: 1.60/1.96/2.18 g rms for XYZ / 5-500Hz

I/O Connectors

Back Panel I/O Port	1 x RJ-45(GigaLAN)
	1 x PS/2
	1 x VGA(DB-15)
	1 x DC-in Jack(Lockable)
	2x USB 2.0
	1 x Line in, Line out, Micro in
	1 x RS232, 1x RS232/422/485(Optional)

Certificates

CE
FCC ClassB
MIL810F/ IEC60068-2-27 for Vibration /Shock

In Front Control

Control Button	Power On/ Off
	Reset
	Brightness Up (up to 100%)
	Brightness Down (dim to 0%)
Led indicator	Power On/ Off
	HDD Status

Display Specifications

Size	10.4 inches
Resolution	1024x768 pixels
Brightness	350 (cd/m)
Touch(Optional)	5 Wire Resistive / IR Touch

Product Optional items

Mounting Bracket and Kits	One robust bracket with locking handle (Can adjust from -5deg. to 90deg.)
Sunlight Readable	Transflective film enhancement for optional N / A
Wide Temperature Range	Windows XP embedded, Windows XP, Windows CE 5.0, Linux 2.6.11
Operation System	2.5" Automobile 40G HDD, 2.5" 4G Flash Disk (SSD),
Storage	4G Industrial Compact Flash Card
WLAN	Mini PCI base Wireless LAN card with SMA antenna
Wide Power Input Range	8V to 36V wide range acceptable for optional
Terminal Block	Pluggable 3pin terminal block power input