

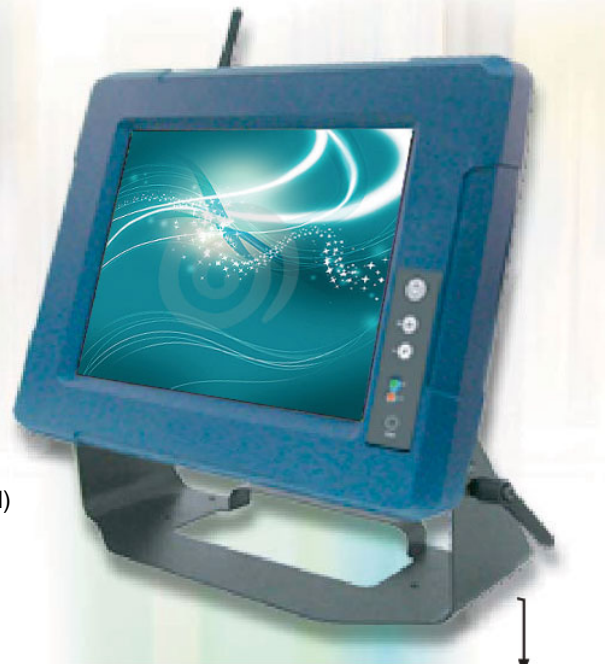
Ruggedized Panel PC

Military Grade Rugged Portable Panel PC
Intel Atom 10.4" Full NEMA4 Wide Temperature
and Dust/water resistant Protection.
(Model: WMRDPC1040P1-A)



Features:

- Intel Atom N270 1.6 GHz Processor
- High Quality 10.4" Panel, 800x600 resolution
- Full IP65 Dust/Water Proof Enclosures (Except I/O parts)
- Aluminum Housing with Anti-Corrosion Treatments
- Anti-Shock and Vibration Standard according to MIL810F & IEC60068-2-27
- 5 Wire Resistive / Infrared Touchscreen
- 802.11b/g Wireless LAN with Antenna (Optional)
- Wide Range 8 to 36V DC Input Acceptable (Optional)
- Transflective Sunlight Readable and Extended Temperature Range (Optional)



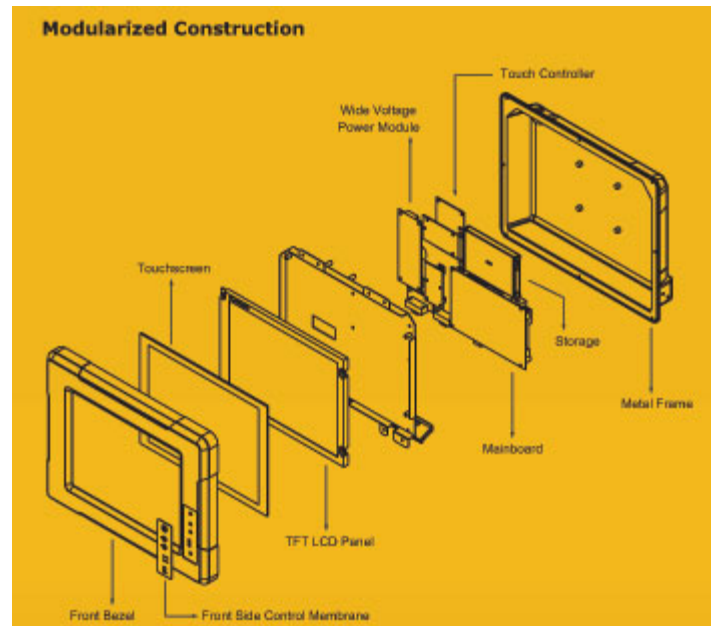
Optional for Mounting Bracket



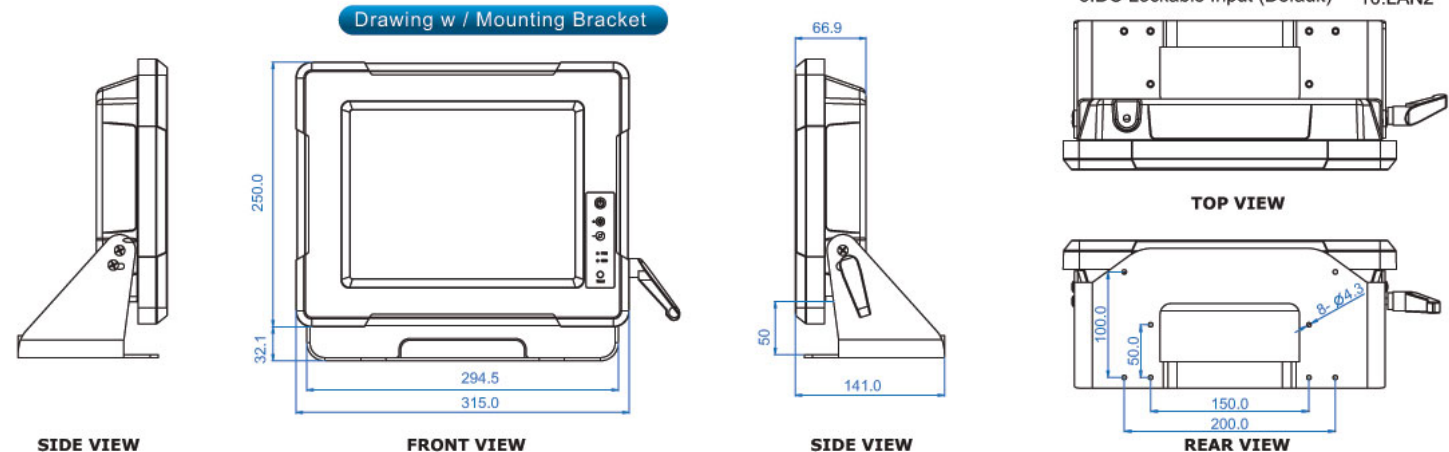
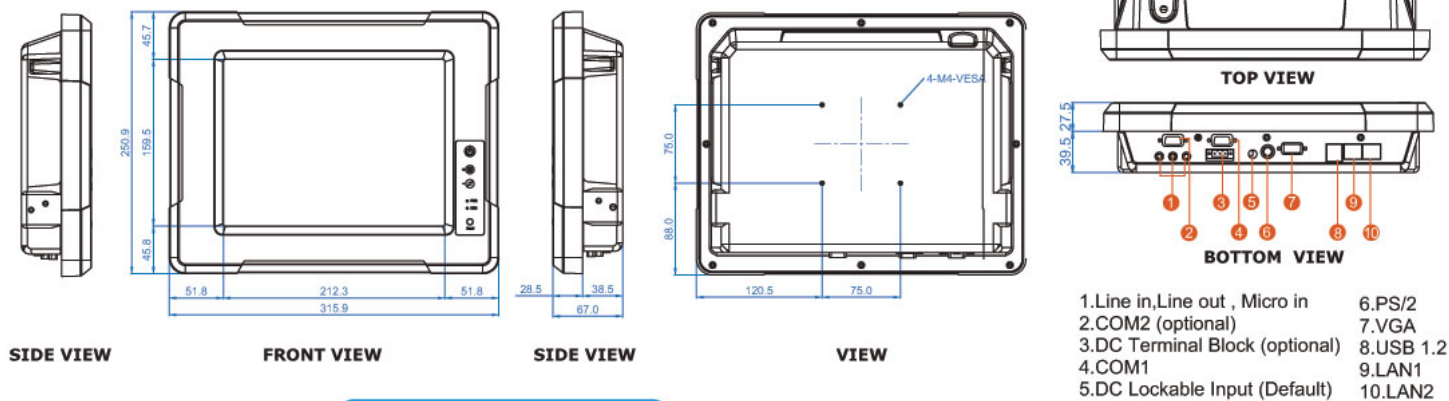
FRONT VIEW



BOTTOM VIEW



Mechanical Drawing:



Measurements shown in mm / All Dimensions are ± 0.5 mm

* Note: this is a simplified drawing and some components are not marked in detail. Please contact our sales representative if you need further product information.

System Specifications

Processor	Intel Atom N270 1.6 GHz Processor
BIOS	AMI 4Mbit Flash
System Chipset	Intel 945GSE / ICH7M Chipset
System Memory	1 x SODIMM, Max 2GB DDR2 667/533
Wireless (Optional)	1x Mini PCI base Wireless LAN card with SMA antenna
LAN Controller	Dual Realtek RTL8111B GigaLAN
Storage	2.5" 40G HDD
Expansion Slot	1 x Mini PCI, 1 x CF

Mechanical and Environment

Dimensions (W x L x H)	315 mm x 250 mm x 67mm
Power Input	12V DC w/ lockable connector
Power Consumption	68W typ..
Operating Temperature	-10 deg.C to 55 deg.C
Operating Humidity	10% to 95% (non condensing)
Mounting	VESA mount, Vehicle mount
Shock	Operating:30g for 18ms, 300m/s2
Vibration	Operating: 1.60/1.96/2.18 g rms for XYZ / 5-500Hz

I/O Connectors

Back Panel I/O Port	2 x RJ-45(10/100 Mbps, Optional GigaLAN) 1 x PS/2 1 x VGA(DB-15) 1 x DC-in Jack(Lockable) 2x USB 2.0 1x RS232, 1x RS232/422/485(Optional) Line in, Line out, Micro in WLAN antenna SMA in top (Optional)
---------------------	---

Display Specifications

Size	10.4 inches
Resolution	800x600 pixels
Brightness	350 (cd/m)
Touch(Optional)	5 Wire Resistive / IR Touch

Certificates

CE
 FCC ClassB
 MIL810F/ IEC60068-2-27 for Vibration /Shock

Product Optional items

Mounting Bracket and Kits	One robust bracket with locking handle (Can adjust from -5deg. to 90deg.)
Sunlight Readable	Transflective film enhancement for optional N / A
Wide Temperature Range	Windows XP embedded, Windows XP, Windows CE 5.0, Linux 2.6.11
Operation System	2.5" Automobile 40G HDD, 2.5" 4G Flash Disk (SSD), 4G Industrial Compact Flash Card
Storage	Available for 10/100/1000 Mbps Giga LAN Mini PCI base Wireless LAN card with SMA antenna
Giga LAN	8V to 36V wide range acceptable for optional Pluggable 3pin terminal block power input
WLAN	
Wide Power Input Range	
Terminal Block	

In Front Control

Control Button	Power On/ Off Reset Brightness Up (up to 100%) Brightness Down (dimmed to 0%)
Led indicator	Power On/ Off HDD Status

