

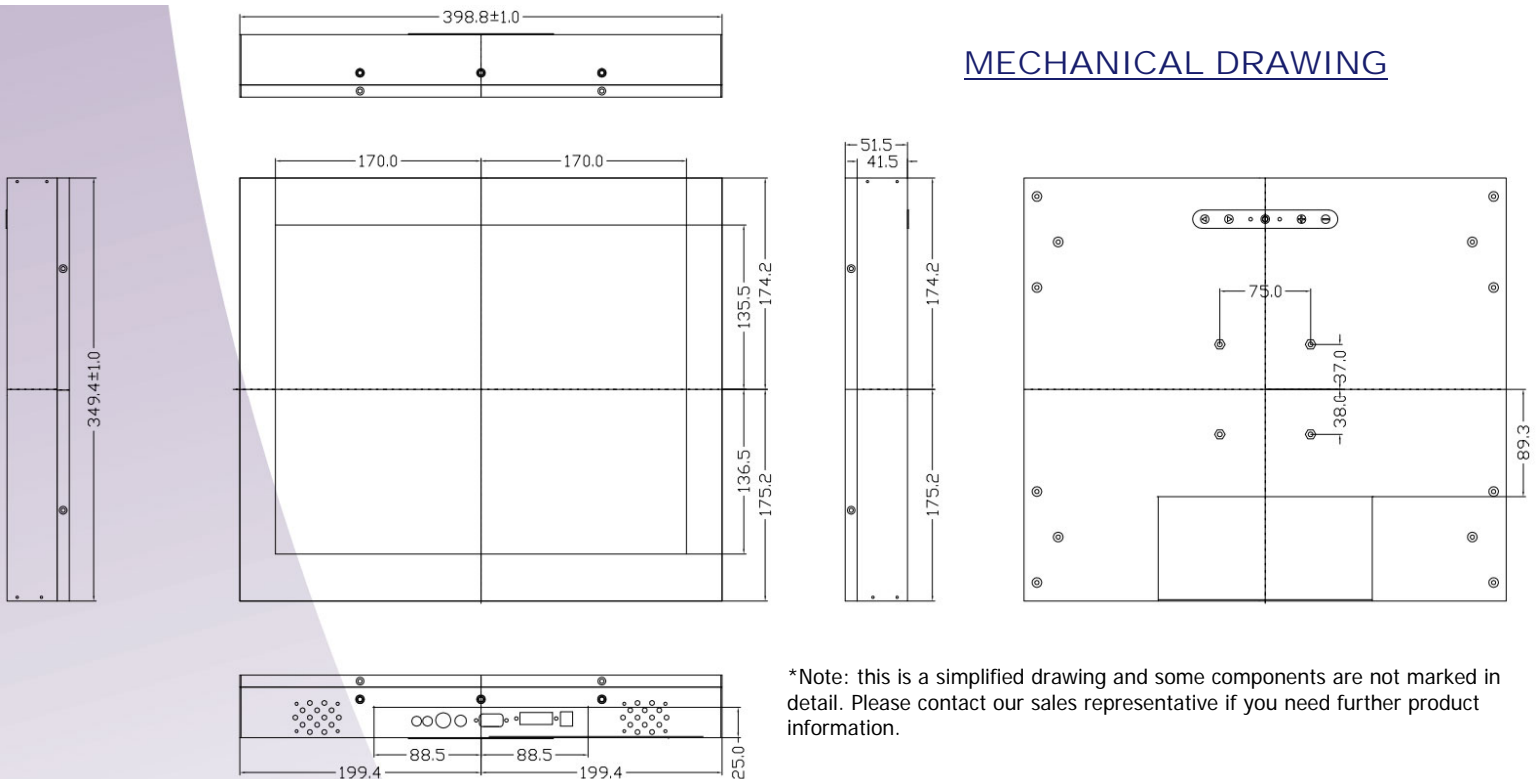


Specifications	
Model Name	WCH1700M1
Viewable Size image	17"
Active Display Area (mm)	337.92(H)x270.34(V)
Pixel Pitch(mm)	0.264(H)x0.264(V)
Number of Pixels	1280x1024
Contrast Ratio	1000:1(typ.)
Display Colors	16.7M
Brightness(cd/m)	350(typ.)
Viewing Angle(CR>=10)	-85~85(H);-80~80(V)
Synchronization Range Horizontal/Vertical	31.5~80.0KHz/60~75Hz
Recommended Resolution	1280x1024@60Hz, 75Hz
Signal Connector	15 pin D-Sub
Power Source	12V DC in, with External AC to DC Adapter (100~240V AC)
Power Consumption	36W typical, normal operation
Power Management	VESA DPMS Compliant
Plug & Play	VESA DDC 1/2B
Optional Video Input	S-Video, Composite
Optional DVI Input	Yes
Optional Touch Screen	Resistive, Capacitive, SAW



Remarks: WCH1700M1 series= VGA input only
WCH1700M1AV series= VGA+Video Input

MECHANICAL DRAWING



*Note: this is a simplified drawing and some components are not marked in detail. Please contact our sales representative if you need further product information.

