

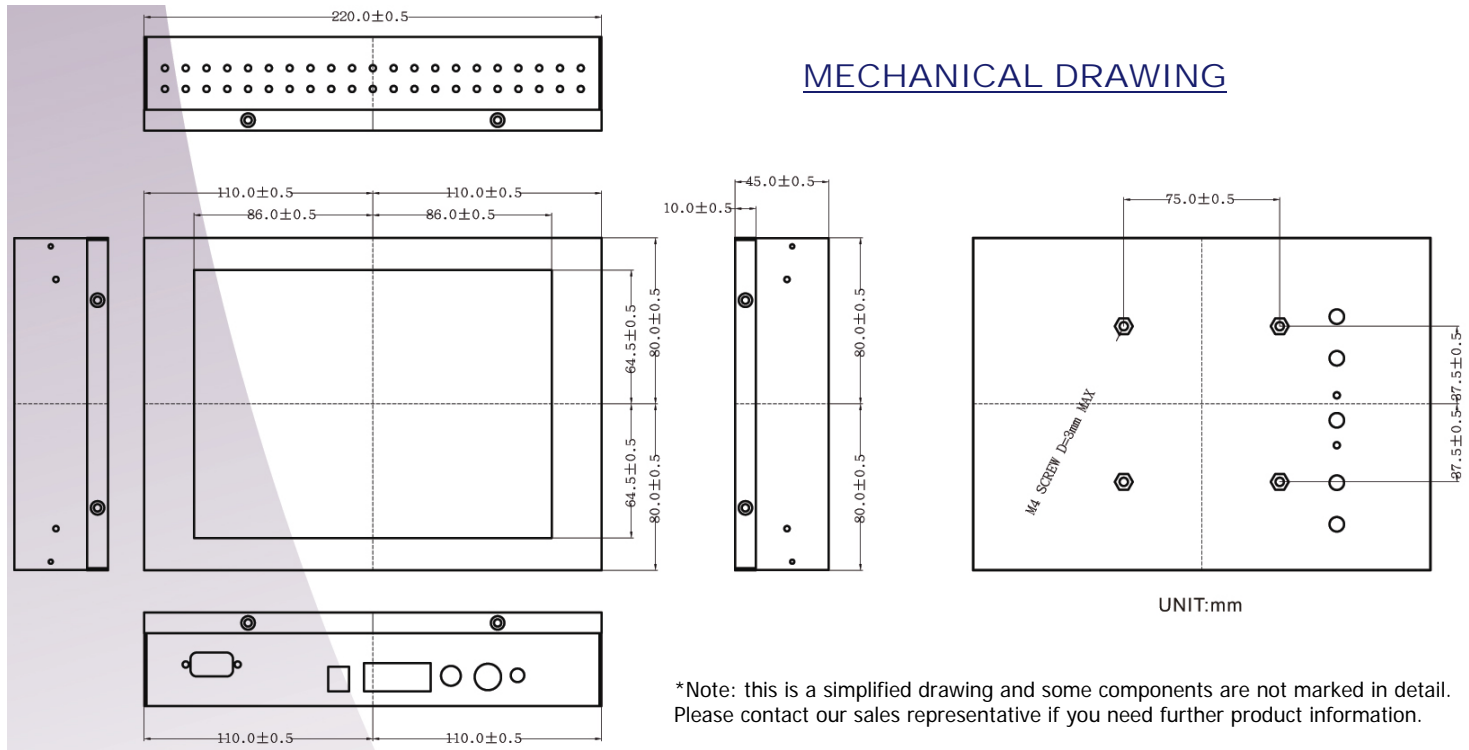


Specifications	
Model Name	WCH8400U3
Viewable Size image	8.4"
Active Display Area (mm)	170.4(H)x127.8(V)
Pixel Pitch(mm)	0.213(H)x0.213(V)(typ.)
Number of dots	800x600
Contrast Ratio	600:1(typ.)
Display Colors	16.2M (8bits/color)
Brightness(cd/m)	450
Viewing Angle(CR>=10)	-80~80 (H); -80~60 (V)
Synchronization Range Horizontal/Vertical	31.5~46.9KHz/60~75Hz
Recommended Resolution	800 x 600@60Hz,75Hz
Signal Connector	15 pin D-Sub
Power Source	12V DC in, with External AC to DC Adapter (100~240V AC)
Power Consumption	15W typical, normal operation
Power Management	VESA DPMS Compliant
Plug & Play	VESA DDC 1/2B
Optional Video Input	S-Video, Composite
Optional DVI Input	No
Optional Touch Screen	Resistive,SAW



Remarks: WCH8400U3 series= VGA input only
 WCH8400U3AV series= VGA+Video Input

MECHANICAL DRAWING



*Note: this is a simplified drawing and some components are not marked in detail. Please contact our sales representative if you need further product information.

