



# 32" Touch Screen Chassis Mount LCD

## Chassis Mount LCD Specifications:

<b>Model Name</b>	<b>WCHWH3200A1-TSAW</b>
Viewable Size Image	31.5"(16:9)
Active Display Area (mm)	697.68(H) x 392.26(V)
Pixel Pitch (mm)	0.51075
Number of Pixels	1366x768
Contrast Ratio	800:1(typ.)
Display Color	16.7M(8bit/colors)
Brightness (cd/m )	625(typ)
Viewing Angle (CR>=10)	-85~85(H); -85~85(V)
Synchronization Range	31.5~47.6KHz/50~60Hz
Horizontal/Vertical	
Recommended Resolution	1366x768@60Hz
Signal Connector	15 pin D-sub
Power Source	AC100~240V, Universal, 10%
Power Consumption	150W typical, normal operation
Power Management	VESA DPMS Compliant
Plug & Play	VESA DDC 1/2B
Optional Video Input	S-Video, Composite, DVI
Optional DVI Input	Yes
Touch Screen	SAW



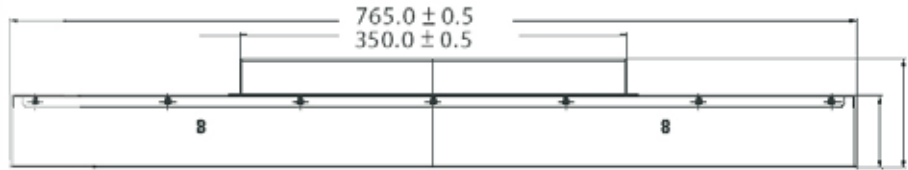
## Outdoor Readability:

Ambient light(nit)	Brightness measure angle	10,000	30,000	80,000
Brightness gain (BL0n)(nit)	35°	625	750	950
Reflectance(net)(%)		0.85	0.7	0.65

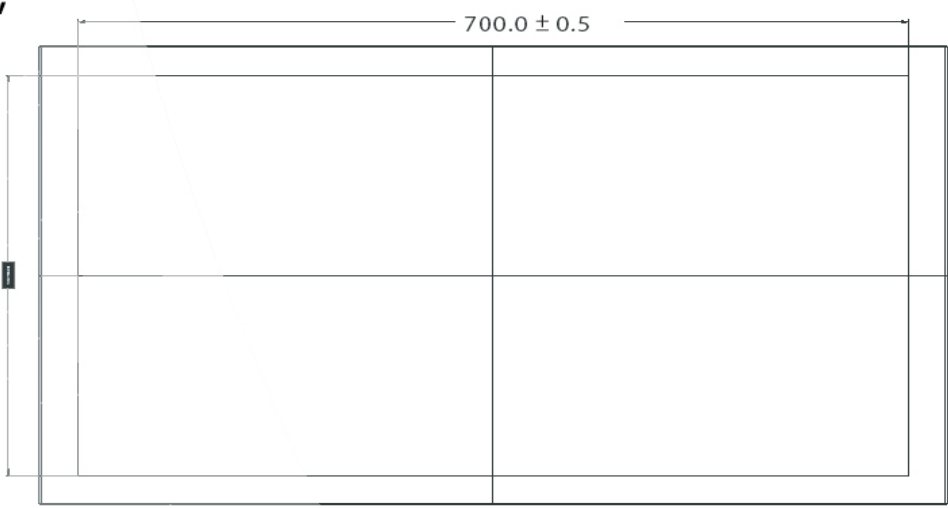
## Elo IntelliTouch Surface Wave (SAW) Touch Screen Specifications:

Input Method	Finger or gloved hand (cloth, leather, or rubber) activation
<b>ELECTRICAL</b>	
Positional Accuracy	Standard deviation of error is less than 0.080 in. (2 mm)
Resolution	Touchpoint density is based on controller resolution of 4096 x 4096, plus 255 levels corresponding to touch pressure
Touch Activation Force	Typically 2 to 3 ounces (55 to 85 grams)
Controller	Board: Serial (RS232) or USB 1.1
<b>OPTICAL</b>	
Light Transmission	Up to 90% per ASTM D1003-92
<b>ENVIRONMENTAL</b>	
Temperature	Operating: -20°C to 50°C Storage: -40°C to 71°C
Relative Humidity	Operating: 40°C at 90% RH, noncondensing
Altitude	Operating: 10,000 ft (3,048 m) Storage/transport: 50,000 ft (15,240 m)
Chemical Resistance	The touch active area of the touchscreen is resistant to chemicals that do not affect glass, such as: acetone, toluene, methyl ethyl ketone, isopropyl alcohol, methyl alcohol, ethyl acetate, ammonia-based glass cleaners, gasoline, kerosene, vinegar
Electrostatic Protection	Per EN 61000-4-2, 1995: Meets Level 4 (15 kV air/8 kV contact discharges)
Agency Approvals	UL, cUL, TÜV, CE, FCC Class A
Sealability	Can be sealed to meet NEMA 3/3R/5/12/12K/13, IP64 standards
<b>DURABILITY</b>	
Surface Durability	Surface durability is that of glass, Mohs' hardness rating of 7
Expected Life	No known wear-out mechanism, as there are no layers, coatings, or moving parts. IntelliTouch technology has been operationally tested to more than 50 million touches in one location without failure, using a stylus similar to a finger.

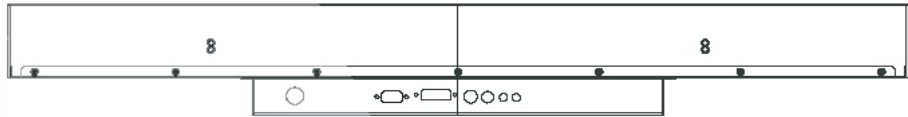
# 32" Touch Screen Chassis Mount LCD



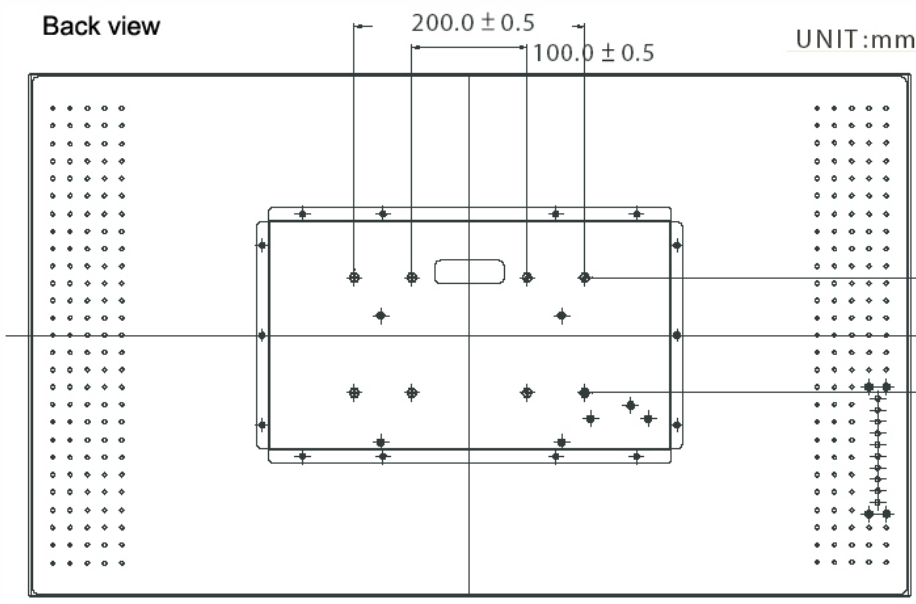
Front View



65.0 ± 0.5  
98.0 ± 0.5



Back view



UNIT:mm

