

# 12.4" Marine Panel PC



Model no.: WMARC1210M2-A



## TFT Characteristics

Pixel Number	: 1024 x 768
Pixel Pitch(R&B)	: 0.264 (H) x 0.264 (V) mm
Contrast Ratio	: 550:1(typ.)
Light Intensity	: 300 cd/m2 (typ.)
Viewable Angle	: -50~50 (H);-60~60 (V)
Active Display Area	: 245.76 (H) x 184.32 (V) mm
Max Colors	: 262,144 (6bit/colors)

## SBC Specifications

Processor	: AMD@Geode LX-800 500MHz CPU
BIOS	: Award 4Mbit Flash
System Chipset	: AMDSCS5536 Companion Device
Memory Slot	: 1 x SODIMM, Default 512MB
Graphic Chipset	: AMD@Geode LX800 Integrated(64MB shared)
IDE	: 1 x IDE(UDMA33)
Compact Flash	: 1 x Type I/II CF Socket
KB / Mouse Connector	: 1 x PS/2
Ethernet	: 1x RJ-45(Realtek RTL8110S 10/100 Mbps)
VGA	: 1x VGA Connector
Audio	: Build in AC97 Codec
USB Ports	: 4 x USB 2.0
Serial Ports	: 3 x RS232, 1 x RS232/422/485
Hard Drive	: 2.5" 40GB HDD
Expansion slot	: 1x Mini PCI

## Environmental Considerations

Operating Temperature	: -10 to 55 deg.C(-20 to 60 deg.C for optional heating)
Operating Humidity	: 5% to 95% (non condensing)
Anti-Vibration	: 5Hz~500Hz / 1Grms/3 Axis
Anti-Shock	: 15G, 11ms duration

## Input/Output Connectors

Ethernet LAN	: 1 x RJ45-10/100 Mbps
Keyboard / Mouse	: 1 x PS/2
COM	: 2 x RS232, 1 x RS232/422/485
USB	: 2 x USB Type-A receptable
RGB Out	: 1 x VGA 15P DSUB (female)
Compact Flash	: 1 x Type I/II CF Socket*
DC Power	: 1 x DC Terminal block

\*Not support Pull and Plug. (AC power Std IEC Inlet for optional)

## Available Options

Mechanical Options	: Panel (Flush) mount with IP65*
Touch Screen Options	: SAW, 5 Wire Resistive
AR Safety Glass Option	: 3mm Anti-reflective protection glass
VESA Mounting	: Yes

\*SAW touch for IP54

## Certifications and Approvals

- CE, FCC
- DNV Type Approval (Pending)

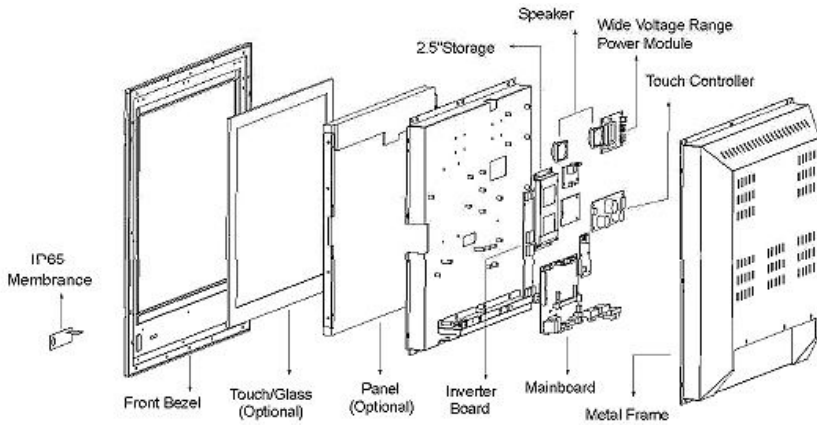
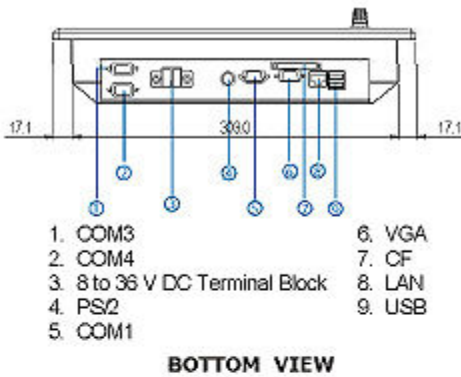
## Power Specification

Power Supply Options	: 8 to 36 V DC to DC power supply with terminal block (90 to 265 VAC (optional))
Power Consumption	: 37 W typical, normal operation

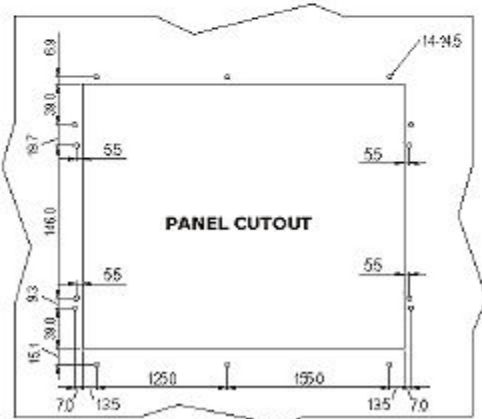


# 12.4" Marine Panel PC

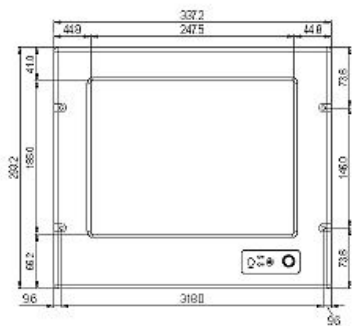
## Mechanical Design



### Modularized Construction



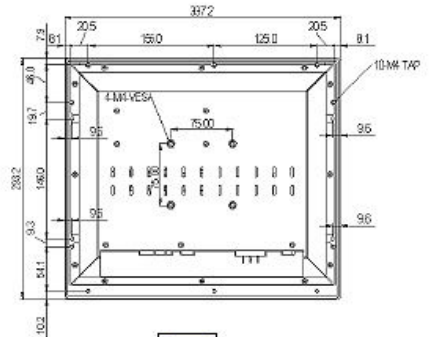
All Dimensions are  $\pm 0.5\text{mm}$



**FRONT VIEW**



**SIDE VIEW**



**BACK VIEW**