

MILITARY CONSOLE RACK PANEL PC

20.1" Military Console Rack Fanless Panel PC
with Intel Celeron N2930 2.16 GHz, MIL-STD-810G/F
Compliant and Resistive Touch

Model: WMPCW2010-C-TR



FEATURES:

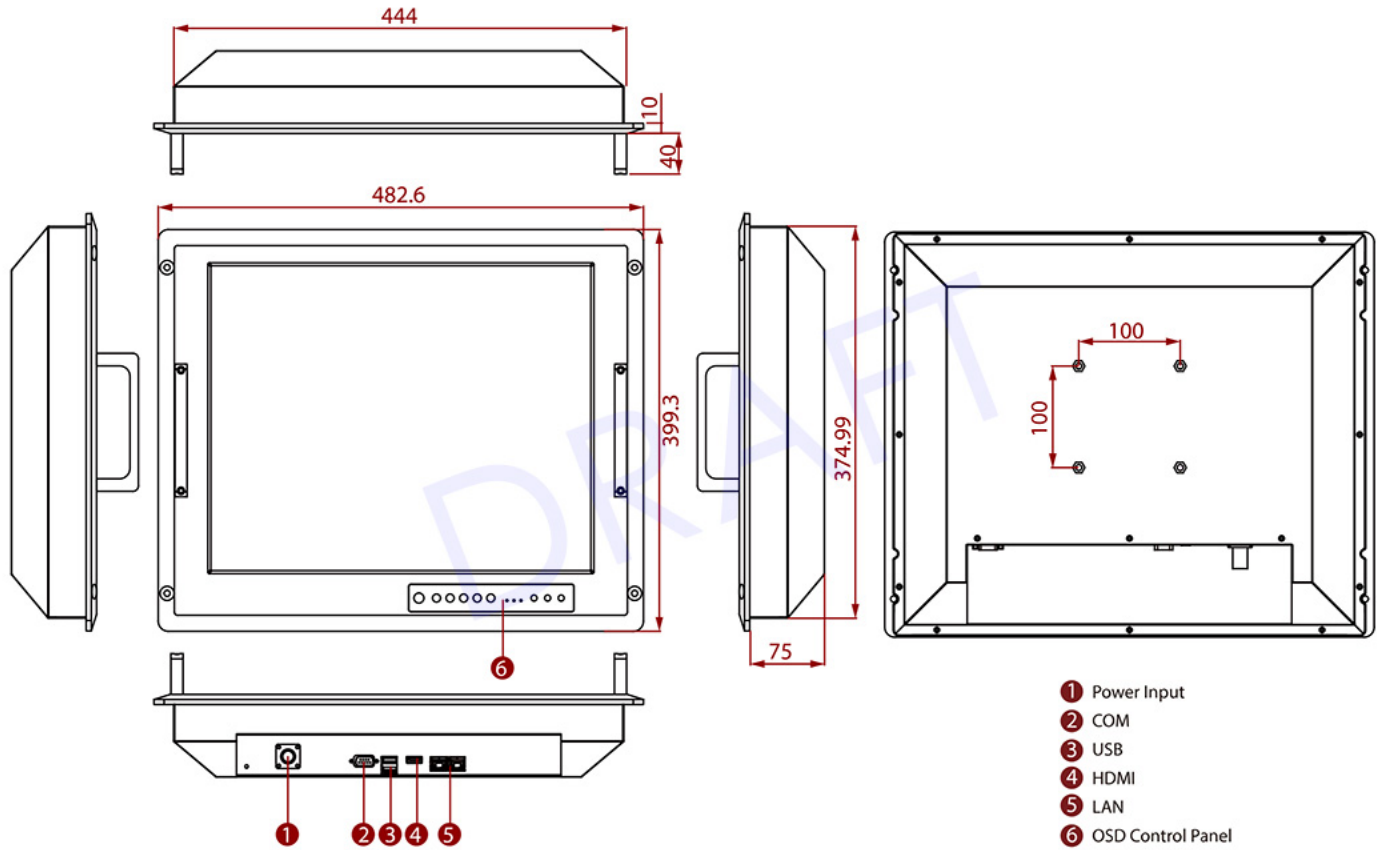
- 20.1" LCD 1600 x 1200
- Intel Celeron® N2930 2.16 GHz Processor
- Anti Corrosion Housing / Fanless
- Fanless cooling system
- Compliant with MILSTD810G/F
- Flush Rack / Rack Mount Mechanical Design (9U)
- Convenient On Screen Display Controls
- AC 110-240 V Power input default
- Isolation DC 9-36 V Power input (Optional)
- Built-in light sensor for auto brightness control
- Military Grade Power Connector (MILDTL38999/1)

SPECIFICATIONS

DISPLAY			
Resolution	1600x1200	Size	20.1 inches
Contrast Ratio	1400:1	Panel Brightness	330 nits
View Angles	85,85,85,85	View Angles	88,88,88,88
Touch / Glass	AR Protection Glass 5 Wires Resistive Touch (Optional) 5 Wire Resistive with EMI Mesh Filter (Optional) EMI Glass (Optional)		
SYSTEM SPECIFICATIONS			
Processor	Intel® Celeron® N2930 (2M Cache, up to 2.16 GHz)	Memory	1 x SODIMM, DDR3L 1600 MHz, 4GB 8GB (Optional)
Storage	1 x mSATA SSD 64GB. mSATA SSD up to 512GB. (Optional)	Ethernet controller	2 x Intel® Ethernet Controller I210AT
Security	TPM 2.0	Operating System	Windows 7 Embedded Systems (Optional) Windows 10 IoT Enterprise (Optional) Linux Ubuntu 18.04 (Optional)
ENVIRONMENT			
Operating Humidity	10% to 95% RH	Operating Temperature	0 ~ 50°C
Storage Temperature	10°C ~ 60°C		
CERTIFICATION			
Certification	CE, FCC		
COMPLIANCE			
MIL-STD 461E/F	RE101 / RE102 CE101 / CE 101 with EMI Glass / Touch(Optional) RS101 / RS 103 CS101 / CS 106 / CS 109 / CS 114 / CS 115 / CS 116	MIL-STD 810F/G	Vibration Method 514.5 Humidity Method 507.4 Transit Drop Method516.5
IO PORTS			
USB Port	1 x USB2.0 1 x USB3.0	Serial Port	1 x RS232(Default)/422/485
Video	1 x HDMI (Optional)	LAN	2 x RJ45
MECHANICAL			
Dimension	482.6 x 399.3 x 75 mm	Mounting	VESA Mount/ Rack Mount
Enclosure	Metal Housing with Aluminum Bezel	Cooling System	Fanless Design
Accessory	User Manual (Hardcopy) CDROM with Driver Utility Power Cord MILDTL38999/1		
POWER			
Power Rating	AC 100-240V, Universal, ±10% DC 9-36V, ±10% (Optional)		
CONTROL			
Button	8 Key OSD Control Pad: Power, Brightness DOWN, Brightness UP, Night, Day, Auto / Manual, Reset, Lock		

*Specifications subject to change without notice, not responsible for typographical errors.

MECHANICAL DRAWINGS UNIT: MM



This is subject to change without Notice. Final Drawings Will be Provided for Approval after Order.