

MILITARY GRADE RUGGED CONSOLE DISPLAY

21.5" 1920 x 1080, 250 nits Military Grade Rugged Console Display Compliant with military standard MIL-STD-810G/F with P-Cap Touch

Model: WRMW2150-PCAP



FEATURES:

- 21.5", 1920 x 1080 resolution
- PCAP multi touch screen
- Compliant MILSTD 810G/ MILSTD 461E
- Rack mount mechanical design, supports VESA mount
- Military grade power connector (MILDTL38999/1)
- AC 100~240V, Universal, ±10%; DC 9~36V, ±10% (Optional)
- Convenient onscreen display controls



SPECIFICATIONS

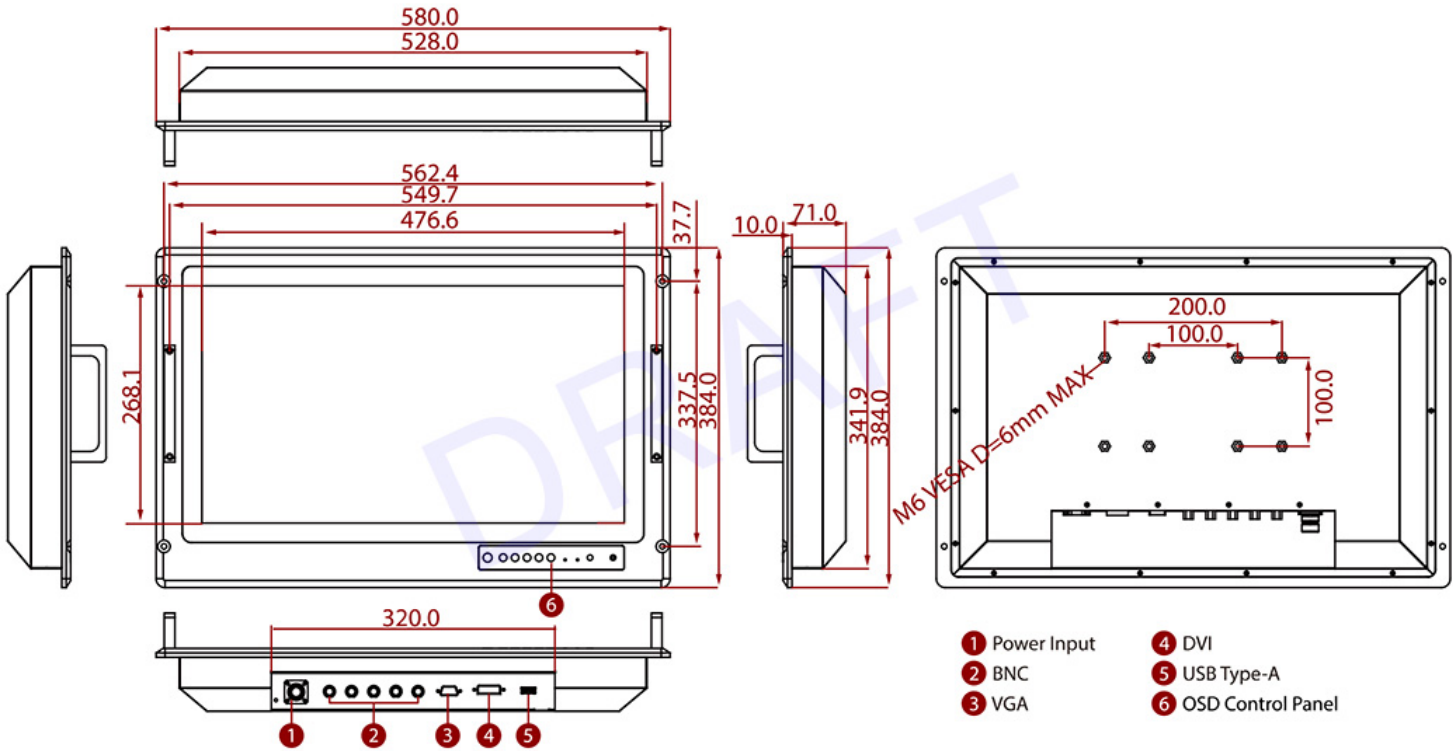
DISPLAY			
Resolution	1920x1080	Size	21.5 inches
Contrast Ratio	3000:1	Panel Brightness	250 nits
Display Color	16.7M Colors	View Angles	89,89,89,89
Touch / Glass	Projected Capacitive Multi Touch Screen PCAP with With ITO Flim (Optional)	Active Area	476.64x268.11 mm
ENVIRONMENT			
Operating Humidity	10% to 95% RH	Operating Temperature	0°C ~ 50°C
Storage Temperature	-10°C ~ 60°C		
CERTIFICATION			
Certification	CE, FCC		
MIL-STD 461E/F	RE101 / RE102 CE101 / CE 101 with EMI Glass / Touch(Optional) RS101 / RS 103 CS101 / CS 106 / CS 109 / CS 114 / CS 115 / CS 116	MIL-STD 810F/G	Vibration Method 514.5 Humidity Method 507.4 Transit Drop Method516.5
IO PORTS			
USB Port	1 x USB for Touch	Video	1 x VGA 5 x BNC (R,G,B,H,V) 1 x DVID
MECHANICAL			
Dimension	580 x 384 x 71 mm	Mounting	VESA Mount/ Rack Mount
Enclosure	Metal Housing with Aluminum Bezel	Cooling System	Fanless Design
Accessory	1 x User Manual(Hardcopy) 1 x Power Cord MILDTL38999/ 1 x VGA Cable 1 x DVI Cable 1 x VGA to 5 BNC Shielding Cable		
POWER			
Power Rating	AC 100~240V, Universal, ±10% DC 9~36V, ±10% (Optional)		
CONTROL			
Button	7 key: Power, Decrease, Increase, Exit/ Auto, Menu, Day/ Night, Lock/ Unlock		

*Specifications subject to change without notice, not responsible for typographical errors.



MECHANICAL DRAWINGS UNIT: MM

This is subject to change without Notice. Final Drawings Will be Provided for Approval after Order.



Drawing No.: WMRMW2150-PCAP-11082022-V1