

Military Grade Rackmount LCD

9U Ruggedized Rackmount Military 24" 1920x1200, 300nits
1000:1 LCD with Glass protective Front, DC 9-36V Input

Model: WMRM2400



FEATURES

- Anti-Corrosion Housing / Fanless
- Compliant with MIL-STD-810G/F
- Flush Rack / Rack Mount Mechanical Design
- Convenient On-Screen Display Controls
- DC 24V, ±10% Standard, AC100~240V, Universal, ±10%(Optional)
- Built-in Light Sensor for auto brightness control
- Military Grade Power Connector (MIL-DTL-38999/1)
- Standard AR Glass
- EMI ITO Glass (Optional)
- 5-wire Resistive Touch (Optional)
- 5-wire Resistive Touch with EMI Mesh Coating (Optional)

Environmental(MIL-STD 810G Compliance)	
Vibration	MIL-STD-810F Method 514.5
Humidity	MIL-STD-810F Method 507.4
Transit Drop	MIL-STD-810F Method 516.5
High Temperature	Storage:MIL-STD-810F Method501.4 Operation:MIL-STD-810F Method501.4
Low Temperature	Storage:MIL-STD-810F Method502.4 Operation:MIL-STD-810F Method502.4

Environmental(MIL-461E Compliance)	
RE	RE101 / RE102
CE	CE 101 / CE102
Optional with EMI Glass / Touch	
CS	RS101 / RS103
CS	CS 101 / CS 106 / CS 109 / CS 114 CS 115 / CS 116

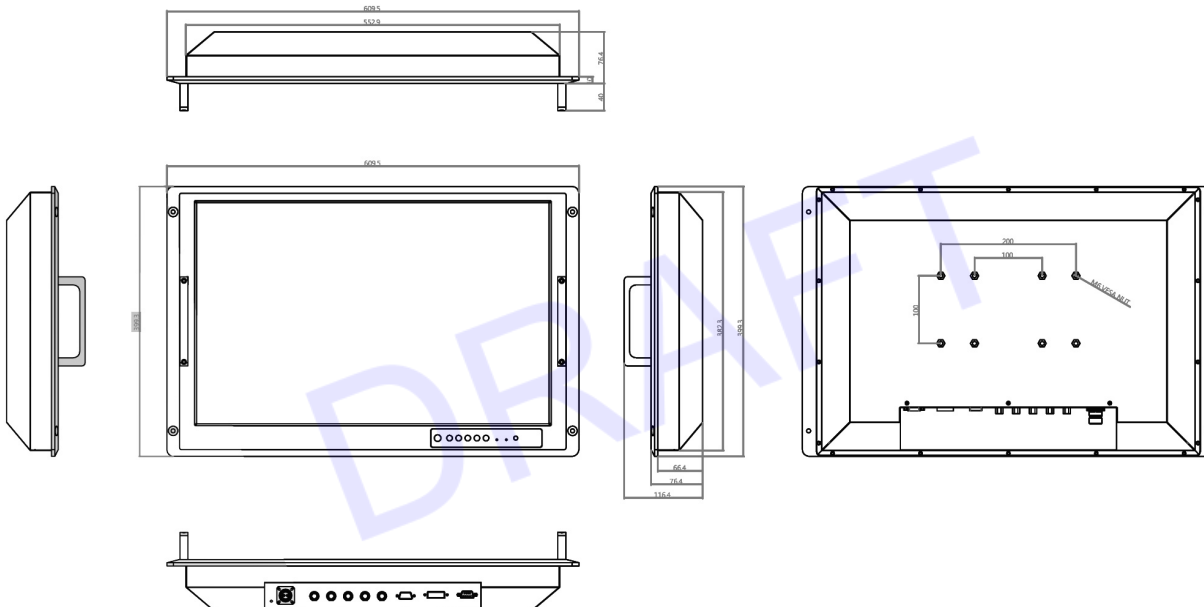
**Specifications subject to change without notice, not responsible for typographical errors.*

DISPLAY SPECIFICATIONS

Model Name	WMRM2400
Viewable Size Image	24"
Active Display Area(mm)	518.4(H)x324(V)
Pixel Pitch(mm)	0.270(H)x0.270(V)
Number of Pixels	1920x1200
Contrast Ratio	1000:1 (typ.)
Display Color	16.7M(Colors)
Brightness(cd/m ²)	300(typ)
Viewing Angle(CR>=10)	-89~89(H);-89~89(V)
Synchronization Range Horizontal/Vertical	31.5~80.0KHz/60~75Hz
Recommended Resolution	1920x1200@60Hz, 75Hz
Signal Connector	5 x BNCs, VGA in, DVI in
Power Source	DC 24V, ±10% Standard , AC100~240V, Universal, ±10%(Optional)
Power Consumption	26W typical, normal operation
Power Management	VESA DPMS Compliant
Plug & Play	VESA DDC 1/2B
Optional Touch Screen	Resistive

MECHANICAL DRAWING

This is subject to change without Notice. Final Drawings Will be Provided for Approval after Order.



Drawing No.: WMRM2400-11022022-V2



i-Tech Company LLC
EMAIL: info@itechlcd.com • WEB: www.iTechLCD.com

Modified: 11-02-2022