

MILITARY GRADE RACKMOUNT LCD

32" Military Grade Rackmount LCD 1920x1080 350NITS with Compliant MIL-STD-810G/F, Convenient On-Screen Display Controls, Military Grade Power Connector (MIL-DTL-38999/1)

Model: WMRM3200



Features:

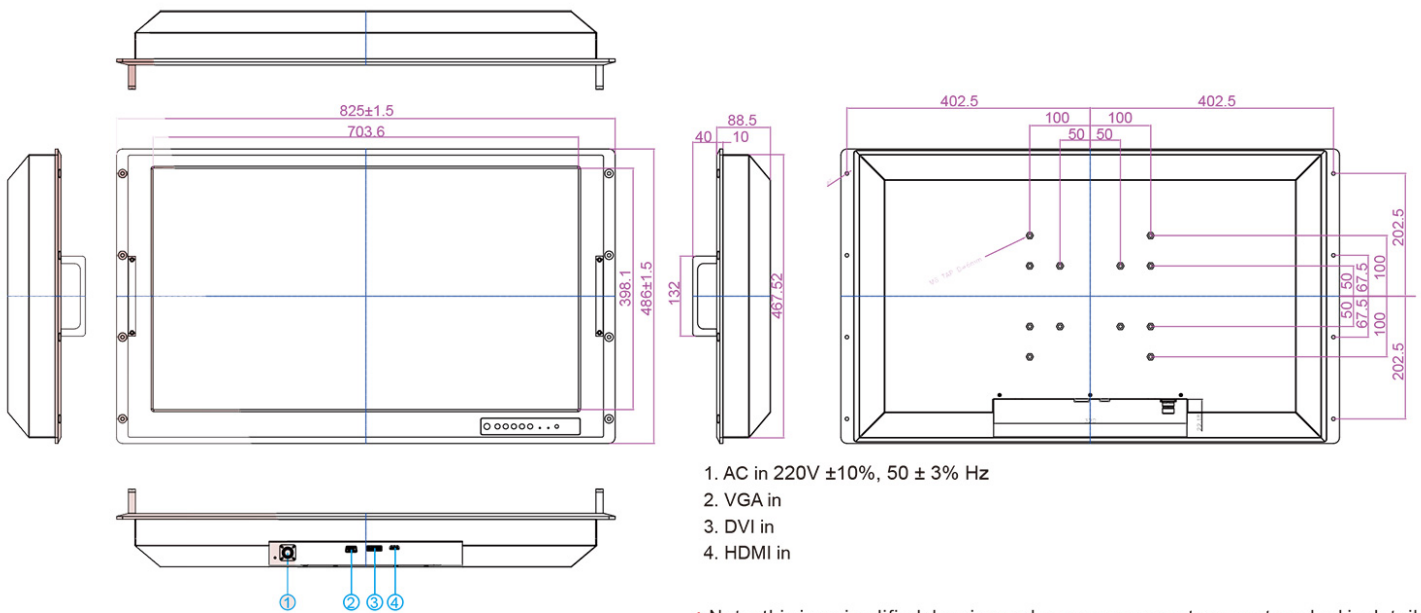
- Anti-Corrosion Housing
- Fanless
- Compliant with MIL-STD-810G/F
- Convenient On-Screen Display Controls
- 220V $\pm 10\%$, 50 $\pm 3\%$ Hz
- Built-in Light Sensor for auto brightness control
- Military Grade Power Connector (MIL-DTL-38999/1)
- Standard AR Glass

Specifications

Backlight	LED
Viewable Size Image	32"
Active Display Area(mm)	698.4(H)x 392.85 (V)
Pixel Pitch(mm)	0.3637(H) x 0.3637(V)
Number of Pixels	1920 x 1080
Contrast Ratio	3000:1 (typ.)
Response Time	5 ms
Refresh[Rate	min. 100Hz
Display Color	16.7M
Brightness(cd/m ²)	350 (typ)
Viewing Angle(CR \geq 10)	-89~89(H);-89~89(V)
Synchronization Range	31.5~80.0KHz/60~75Hz
Horizontal/Vertical	
Recommended Resolution	1920 x 1080 @60 H z
Signal Input	1 x D-Sub15 (VGA) 1 x DVI-D 1 x HDMI
Power Source	AC 100~240V, Universal, $\pm 10\%$ DC 24V, $\pm 10\%$ (Optional)
Power Consumption	53W typical, normal operation
Power Management	VESA DPMS Compliant
Plug & Play	VESA DDC 1/2B
Protection Glass	AR Glass

Environmental(MIL-STD 810F/G Compliance)	
Vibration	MIL-STD-810F/G Method 514.5
Humidity	MIL-STD-810F/G Method 507.4
High Temperature	Storage:MIL-STD-810F/G Method501.4 Operation:MIL-STD-810F/G Method501.4
Low Temperature	Storage:MIL-STD-810F/G Method502.4 Operation:MIL-STD-810F/G Method502.4
Operating	-15~50°C
Operating Humidity	95%RH $\pm 3\%$
IP Rating	Front IP65, Back IP54
Environmental(MIL-461E/F Compliance)	
RE	RE101 / RE102
CE	CE 101 / CE102

Mechanical Drawing



1. AC in 220V $\pm 10\%$, 50 $\pm 3\%$ Hz
2. VGA in
3. DVI in
4. HDMI in

* Note: this is a simplified drawing and some components are not marked in detail. Please contact our sales representative if you need further product information.