

MILITARY GRADE Rackmount LCD

9U Ruggedized Rackmount Military 17" LCD Anti-Shock and Vibration Standard according to MIL810F, Operating Temp 0C to 50C , 17" LCD, 1280X1024 ,350 nits, AC 110-240V



Model: WMRM917V2

FEATURES

- Anti-Corrosion Housing / Fanless
- Compliant with MIL-STD-810G/F
- Convenient On-Screen Display Controls
- AC 110-240V Power input / Isolation DC 9-36V Power input (Optional)
- Built-in Light Sensor for auto brightness control
- Military Grade Power Connector (MIL-DTL-38999/1)
- Default with Standard AR Glass
- EMI ITO Glass (Optional)
- 5-wire Resistive Touch (Optional)



SPECIFICATIONS

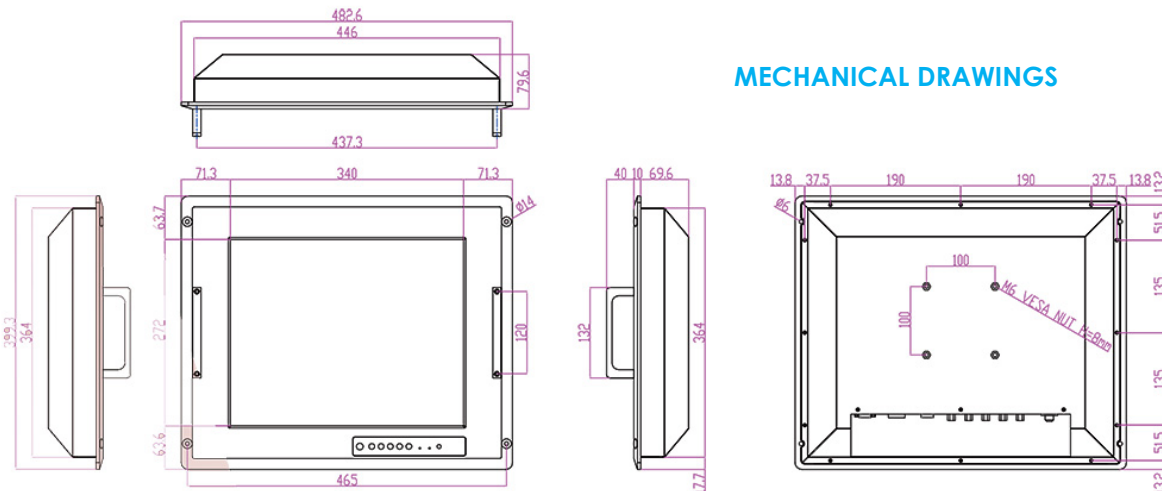
Viewable Size Image	17" (9U)
Active Display Area(mm)	337.92(H)x270.34(V)
Pixel Pitch(mm)	0.264(H)x0.264(V)
Number of Pixels	1280x1024
Contrast Ratio	1000:1 (typ.)
Display Color	16.7M(Colors)
Brightness(cd/m2)	350(typ.)
Viewing Angle(CR>=10)	-85~85(H);-80-80(V)
Synchronization Range Horizontal/Vertical	31.5~80.0KHz/60~75Hz
Recommended Resolution	1280x1024@60Hz, 75Hz
Signal Connector	15pinD-Sub,
Power Source	AC100-240V, Universal,±10%
Power Consumption	32W typical, normal operation
Power Management	VESA DPMS Compliant
Plug&Play	VESADDC1/2B
Optional Touch Screen	Resistive (RS232/USB)

Environmental (MIL-STD 810F/G Compliance)

Vibration	MIL-STD-810F/G Method 514.5
Humidity	MIL-STD-810F/G Method 507.4
	MIL-STD-810F/G Method 516.5
High Temperature	Storage:MIL-STD-810G/FMethod501.4 Operation:MIL-STD-810G/FMethod501.4
Low Temperature	Storage:MIL-STD-810G/FMethod502.4 Operation:MIL-STD-810G/FMethod502.4

Environmental (MIL-STD 416E/F Compliance)

RE	RE 101 /RE 102
CE	CE101 /CE102
Optional with EMI Glass /Touch	
CS	RS101 /RS103
CS	CS101/CS106/CS109/CS114



MECHANICAL DRAWINGS

* Note: this is a simplified drawing and some components are not marked in detail. Please contact our sales representative if you need further product information.