

# Open Frame LCD

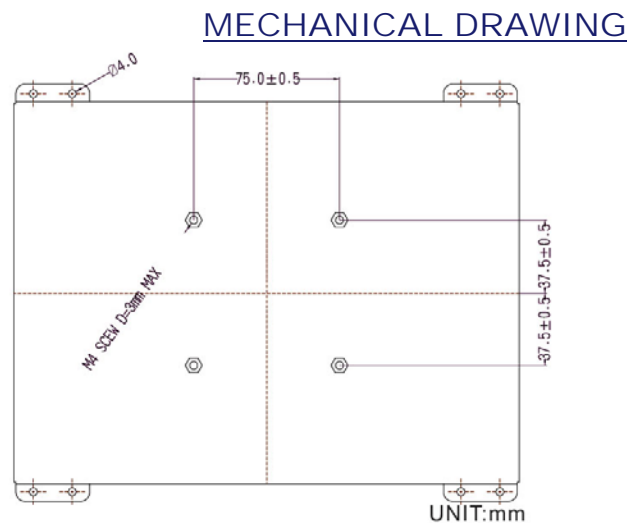
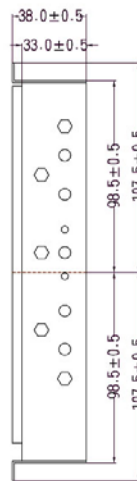
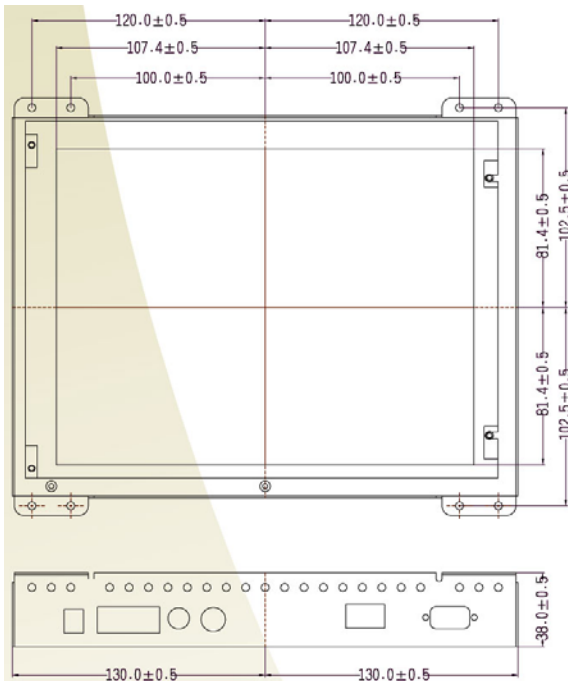


## Specifications

Model Name	WOP1040A1
Viewable Size image	10.4"
Active Display Area (mm)	211.2(H)x158.4(V)
Pixel Pitch(mm)	0.264 (H) x 0.264 (V)
Display Resolution (pixel)	800x600
Contrast Ratio	500:1 (typ.)
Display Color	16.2M (8bits/color)
Brightness(cd/m2)	400 (typ.)
Viewing Angle(CR>=10)	-80~80 (H); -60~80 (V)
Synchronization Range	31.5~46.9KHz / 60~75Hz
Recommended Resolution	800x600@60Hz,75Hz
Signal Connector	15 pin D-Sub
Power Source	12V DC in, with External AC to DC Adapter (100~240V AC)
Power Consumption	15W typical, normal operation
Power Management	VESA DPMS Compliant
Plug & Play	VESA DDC 1/2B
Optional Video Input	S-Video, Composite
Optional DVI Input	No
Support Video Signal Type	NTSC/PAL
Optional Touch Screen	Resistive, SAW, IR
Dimming range	10~100%



**Remarks:** WOP1040A1 series= VGA input only  
WOP1040A1AV series= VGA+Video Input



\*Note: this is a simplified drawing and some components are not marked in detail. Please contact our sales representative if you need further product information.