

Sunlight Readable Open Frame LCD

Specifications	
Model Name	WOPH1210M2AV
Viewable Size image	12.1"
Active Display Area (mm)	245.76 (H)x184.32 (V)
Pixel Pitch(mm)	0.240(H)x0.240(V)(typ.)
Number of Pixels	1024x768
Contrast Ratio	700:1 (typ.)
Color Configuration	262144(6bit/colors)
Brightness(cd/m2)	600 (typ.)
Viewing Angle(CR>=10)	-80~80(H);-70~70(V)
Synchronization Range (Horizontal / Vertical)	31.5~37.5KHz / 60~75Hz
Recommended Resolution	1024x768@60Hz,75Hz
Signal Connector	15 pin D-Sub
Power Source	AC100~240V, Universal, 10%
Power Consumption	20 W typical, normal operation
Power Management	VESA DPMS Compliant
Plug & Play	VESA DDC 1/2B
Optional Video Input	S-Video, Composite
Optional DVI Input	No
Optional Touch Screen	Resistive, Capacitive, SAW, IR
Optional protection glass (reflection rate<0.5%)	Optional
Operational Temperature	0° C~50 °C



Remarks: WOPH1210M2 = VGA input only
WOPH1210M2AV = VGA+Video Input

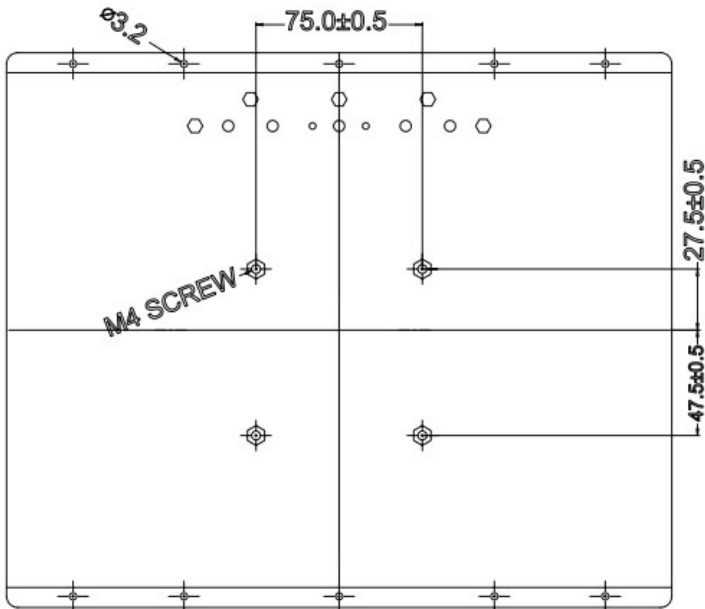
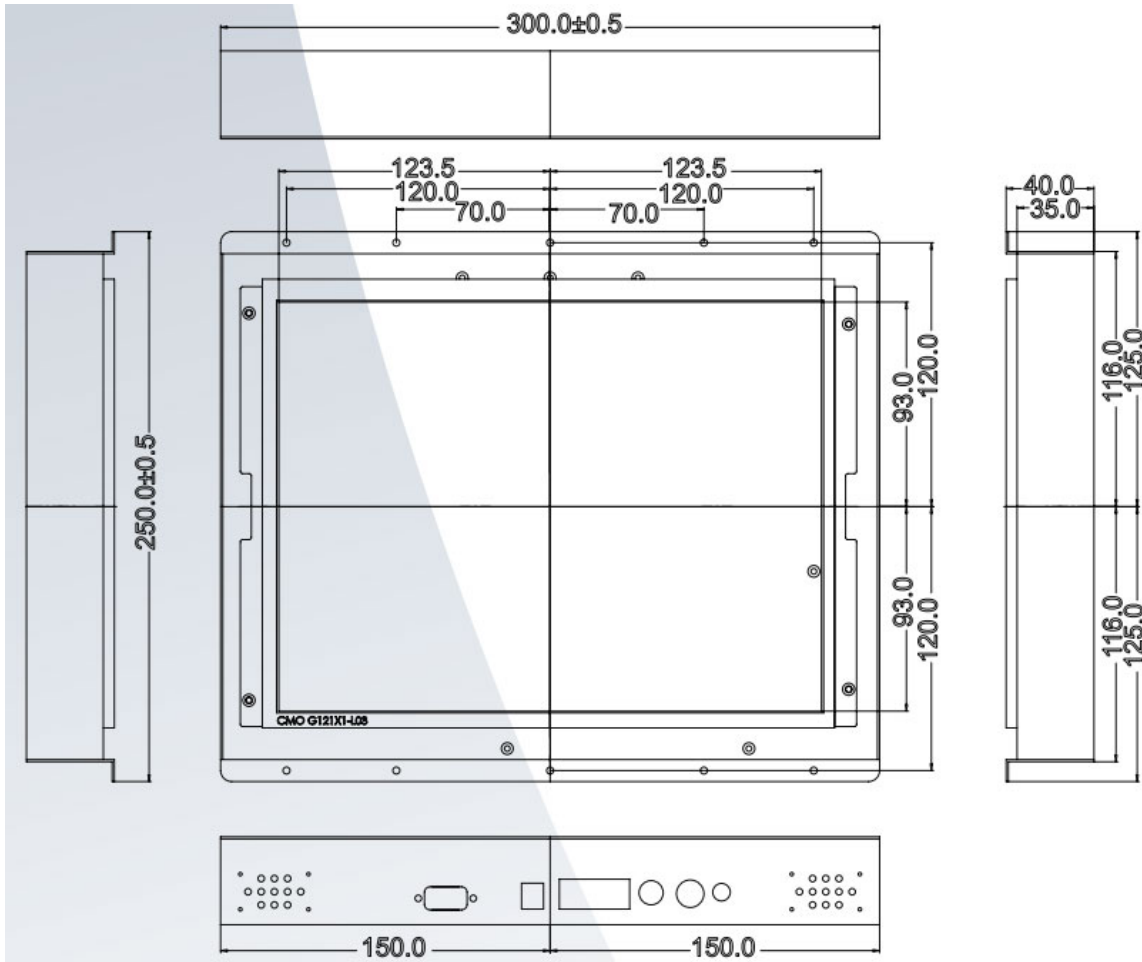
Outdoor readability **				
Ambient light(nit)	Brightness measure Angle	15,000	30,000	80,000
Brightness gain(BL off)(nit)	35°	500	620	990
Reflectance(net)(%)		1.00%	0.90%	0.80%

0



i-Tech Company LLC
TOLL FREE: (888) 483-2418 • EMAIL: info@iTechLCD.com • WEB: www.iTechLCD.com

MECHANICAL DRAWING



UNIT:mm

Note: this is a simplified drawing and some components are not marked in detail. Please contact our sales representative if you need further product information.