

Sunlight Readable Open Frame LCD

Specifications	
Model Name	WOPH1500A1
Viewable Size image	15"
Active Display Area (mm)	304.128(H)x228.096(V)
Pixel Pitch(mm)	0.297(H)x0.297(V)
Number of Pixels	1024x768
Contrast Ratio	700:1(typ.)
Color Configuration	16.2M
Brightness(cd/m2)	610
Viewing Angle(CR>=10)	-80~80(H);-70~70(V)
Synchronization Range (Horizontal / Vertical)	31.5~37.5KHz / 60~75Hz
Recommended Resolution	1024x768@60Hz,75Hz
Signal Connector	15 pin D-Sub
Power Source	AC100~240V, Universal, 10%
Power Consumption	31 W typical, normal operation
Power Management	VESA DPMS Compliant
Plug & Play	VESA DDC 1/2B
Optional Video Input	S-Video, Composite
Optional DVI Input	No
Optional Touch Screen	Resistive, Capacitive, SAW, IR
Optional protection glass (reflection rate<0.5%)	Optional
Operational Temperature	0° C~50 °C

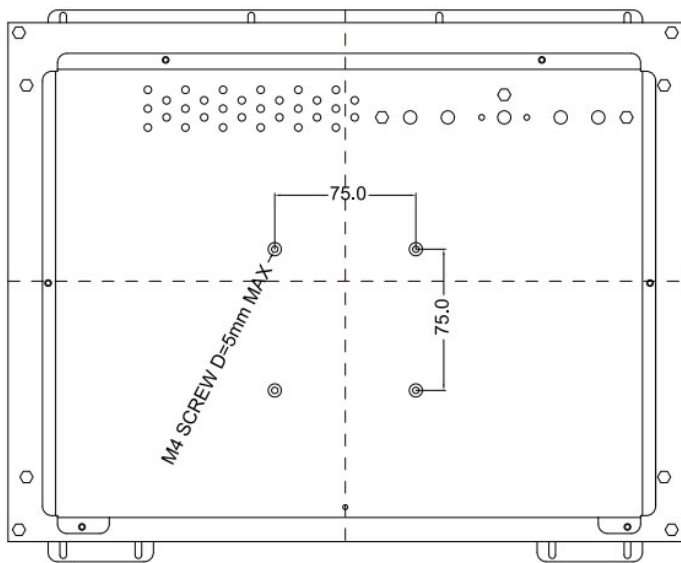
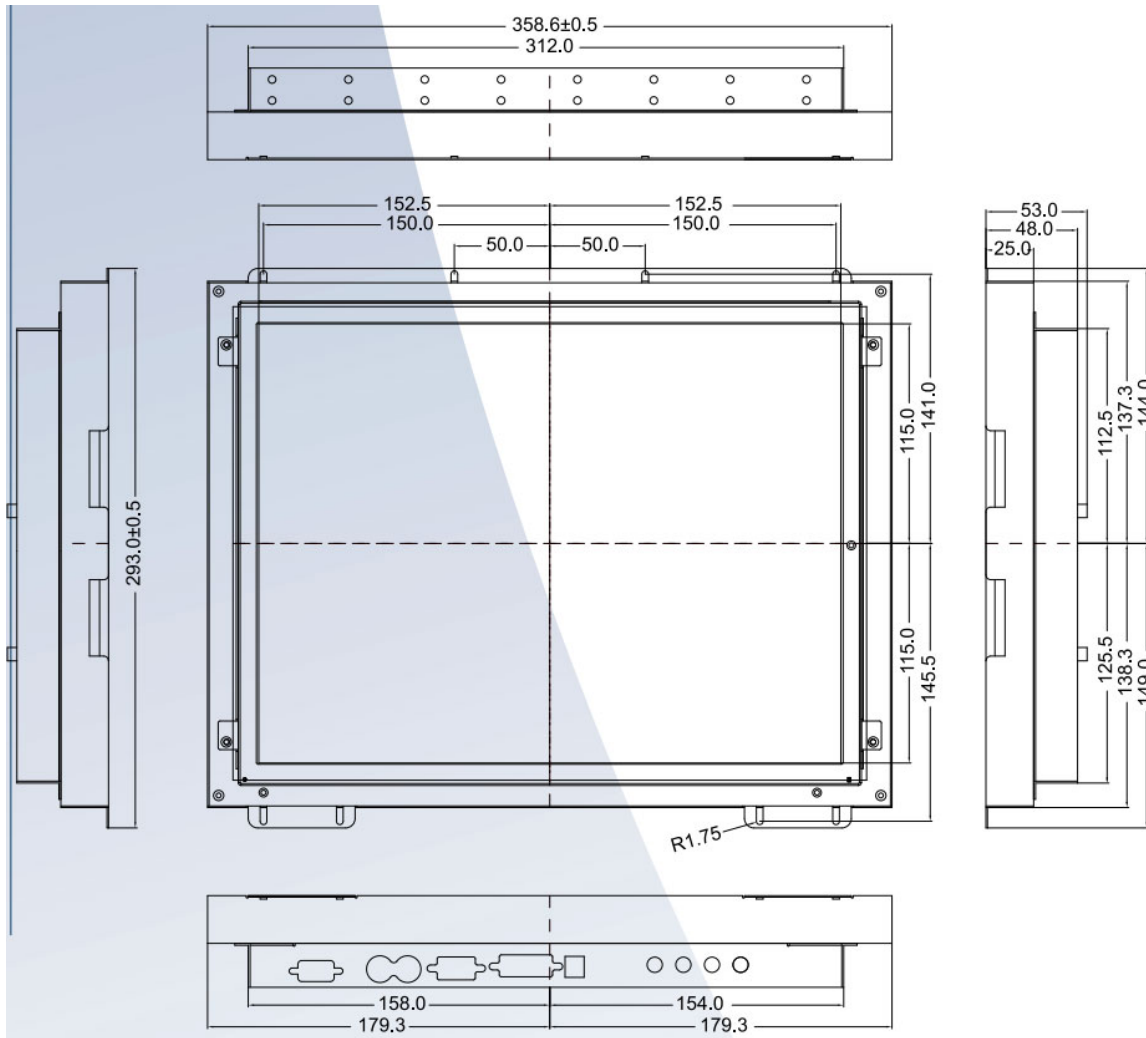


Remarks: WOPH1500A1 = VGA input only
WOPH1500A1AV = VGA+Video Input

Outdoor readability **				
Ambient light(nit)	Brightness measure Angle	15,000	30,000	80,000
Brightness gain(nit)	35°	610	760	980
Reflectance(net)(%)		0.80%	0.70%	0.60%



MECHANICAL DRAWING



UNIT: mm

Note: this is a simplified drawing and some components are not marked in detail. Please contact our sales representative if you need further product information.

