



# Open Frame LCD

## Specifications

Model Name	WOPW1010H1
Viewable Size image	10.1"(16:9)
Active Display Area (mm)	220.416 (H) x 129.15 (V)
Pixel Pitch(mm)	0.21525 (H) x 0.21525 (V)
Number of Pixels	1024x768
Synchronization Range_Horizontal / Vertical	31.5~46.9KHz / 60~75Hz
Recommended Resolution	1024x600@60Hz
Contrast Ratio	500:1 (typ.)
Brightness(cd/m2)	200 (typ.)
Viewing Angle(CR>=10)	-70~70 (H); -60~50 (V)
Power Source	12V DC in, with External AC to DC Adapter (100~240V AC)
Power Consumption	7W typical, normal operation
Power Management	VESA DPMS Compliant
Optional Video Input	S-Video, Composite
Plug & Play	Yes
Support Video Signal Type	NTSC/PAL
Optional DVI Input	No
Optional Touch Screen	4 - Wire Resistive

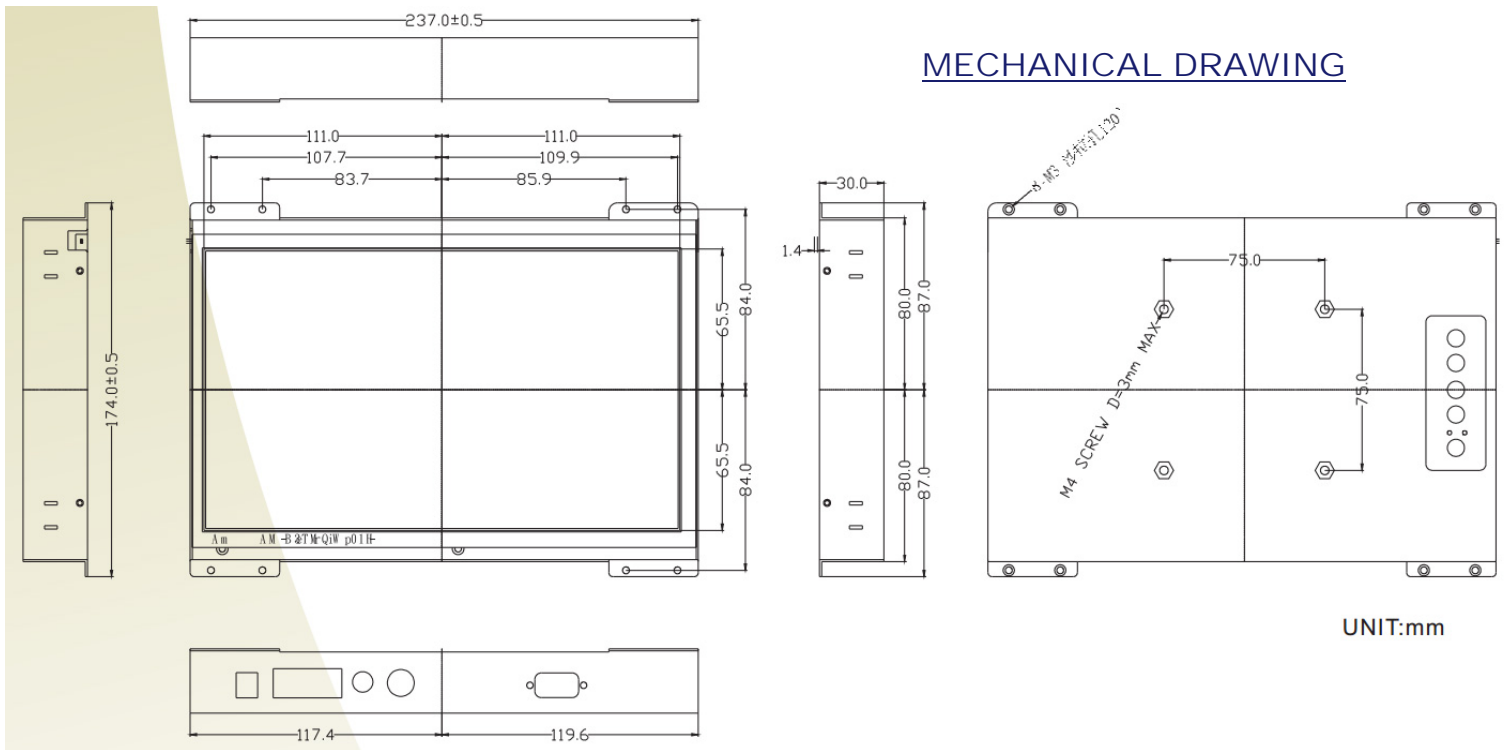


**Remarks:** WOPW1010H1 series= VGA input only  
WOPW1010H1AV series= VGA+Video Input

Note: The LCD is aligned with Open Frame housing. There will be extra height with glass or touch.

## PHOTO GALLERY





\*Note: this is a simplified drawing and some components are not marked in detail. Please contact our sales representative if you need further product information.