

# FULL IP5 PANEL PC

15" Rugged Full IP65 Panel PC, 1024x768, 300nits  
Celeron Bay Trail-M N2930 1.83 GHz with Ultra-low power  
consumption and PCAP Multi-Touch

Model: WPC1500IP-J-FPCT



## FEATURES:

- 15" 1024 x 768 Resolution with Projected Capacitive Multi-Touch (PCAP)
- Intel Celeron Bay Trail M N2930 1.83 GHz
- Fanless cooling system and ultralow power consumption
- Edge-to-edge design
- Full IP65 design with Special M12 Waterproof connectors
- 1 x LAN, 1 x RS232, 1 x USB 2.0

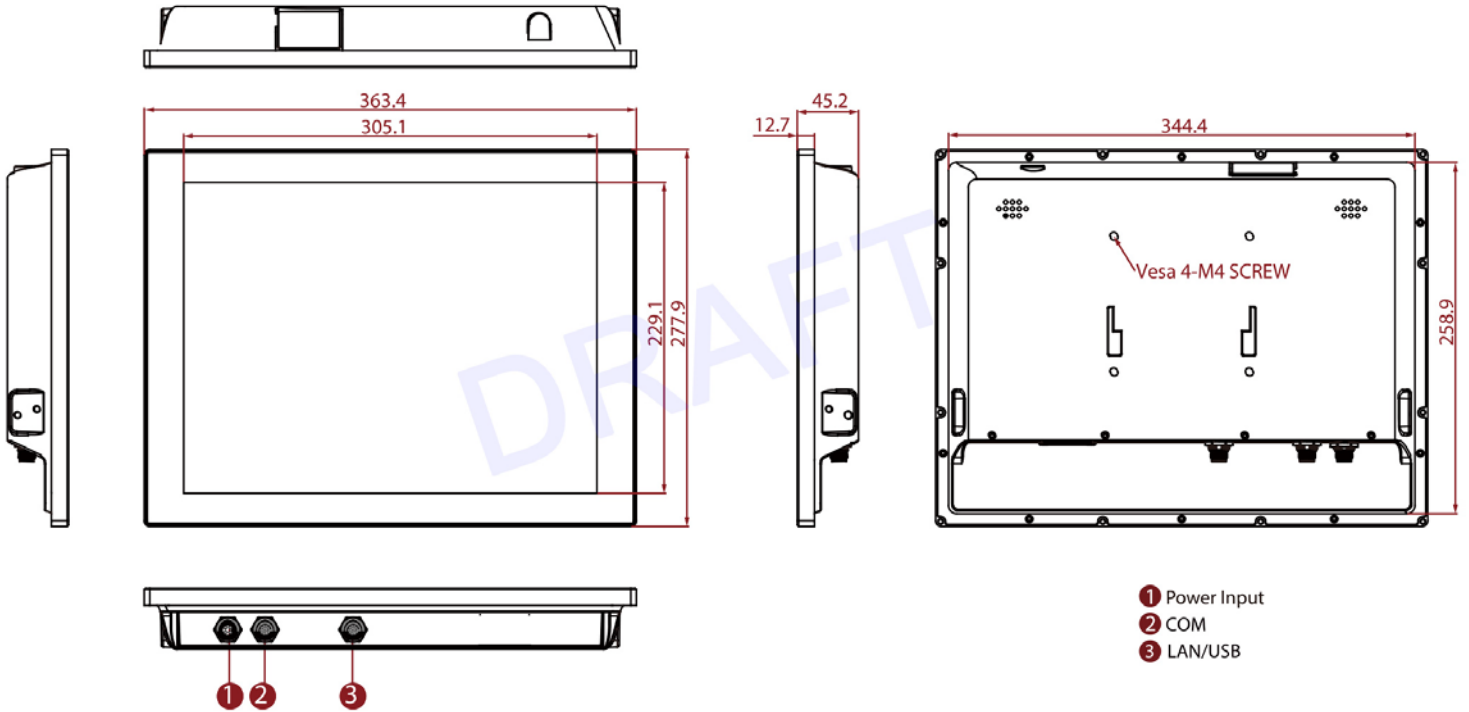


## SPECIFICATIONS

| DISPLAY  |  |                       |  |
|--|--|-----------------------|--|
| Resolution   | 1024x768   | Size                  | 12.1 inches  |
| Contrast Ratio   | 2000:1   | Panel Brightness      | 300 nits<br>1000 nits(Optional)  |
| View Angles  | 88,88,88,88  |                       |  |
| Touch / Glass  | Projected Capacitive Multi Touch Screen<br>Protection Glass (Optional) |                       |  |
| SYSTEM SPECIFICATIONS  |  |                       |  |
| Processor  | Intel Celeron N2930 (2M Cache, up to 2.16 GHz)                         | Memory                | 1 x SODIMM,<br>DDR3L 1600 MHz, 4GB 8GB (Optional)  |
| Storage  | 1 x mSATA SSD 64GB.<br>mSATA SSD up to 512GB. (Optional)               | Operating System      | Windows 7 Embedded Systems (Optional)<br>Windows 10 IoT Enterprise (Optional)<br>Linux Ubuntu 18.04 (Optional) |
| Security   | TPM 2.0  | Ethernet controller   | 2 x Intel Ethernet Controller I210AT   |
| WLAN   | 802.11 a/b/g/n/ac (Optional)   | BT                    | BT Support (Optional)  |
| ENVIRONMENT  |  |                       |  |
| Operating Humidity   | 10% to 95% RH  | Operating Temperature | -15°C ~ 55°C   |
| Storage Temperature  | -30°C ~ 60°C   | Shock                 | 40g for 11ms   |
| Vibration  | 1.48/1.90/2.24 g rms for XYZ/ 5500Hz                                   | IP rating             | Full IP65  |
| CERTIFICATION  |  |                       |  |
| Certification  | Compliant with MILSTD810F/ G for vibration / shock, CE, FCC            |                       |  |
| IO PORTS   |  |                       |  |
| USB Port   | 1 x USB 2.0 (M12 type)   | Serial Port           | 1 x RS232 (M12 type)(Optional 422/485)   |
| LAN  | 1 x LAN10/ 100/1000 (M12 type)   | Indicator             | LED Indicators: Power, Storage   |
| MECHANICAL   |  |                       |  |
| Dimension  | 363.4 x 277.9 x 45.2 mm  | Mounting              | VESA Mount/ Panel Mount  |
| Enclosure  | Metal Housing with Aluminum Bezel                                      | Cooling System        | Fanless Design   |
| POWER  |  |                       |  |
| Power Rating   | 936V DC (M12 type)   |                       |  |
| ACCESSORIES  |  |                       |  |
| Quick Start Guide (Hardcopy)<br>Driver CD & User Manual<br>M12 Power Cable<br>M12 Serial Interface Cable<br>M12 USB/ LAN Cable<br>I/O Protective Cap x 3 |  |                       |  |
| CONTROL  |  |                       |  |
| Button   | 1 x Power Button<br>1 x Reset Button                                   |                       |  |

*\*Specifications subject to change without notice, not responsible for typographical errors.*

MECHANICAL DRAWINGS UNIT: MM



*This is subject to change without Notice. Final Drawings Will be Provided for Approval after Order.*