

# FULL IP5 PANEL PC

7" High Brightness Rugged Full IP65 Panel PC, 1024x600, 1000nits, NXP A9 i.MX6 Dual Core 1GHz with Ultra-low power consumption and PCAP Multi-Touch

Model: WPCW0700HBIP-N-FPCT



## FEATURES:

- 7" 1024 x 600 PCAP touchscreen
- NXP A9 i.MX6 Dual Core 1GHz
- Fanless cooling system
- Ultralow power consumption
- Full IP65

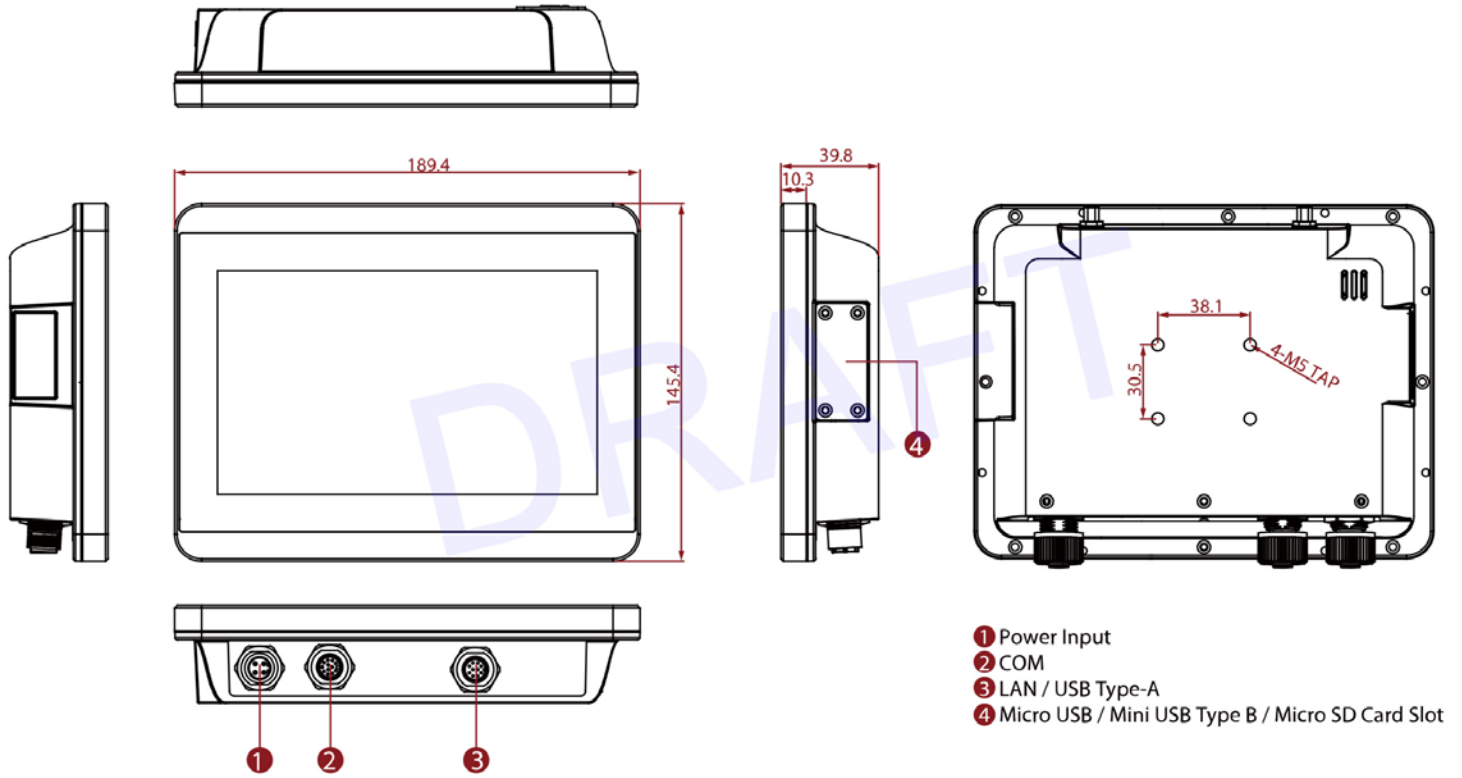


## SPECIFICATIONS

DISPLAY			
Resolution	1024x600	Size	7.0 inches
Contrast Ratio	700:1	Panel Brightness	1000 nits
View Angles	75,75,75,70		
Touch / Glass	Projected Capacitive Multi Touch Screen		
SYSTEM SPECIFICATIONS			
Processor	NXP i.MX6 Dual Core, 1.0GHz	Memory	1GB 2GB (Optional)
Storage	Onboard 16GB eMMC Onboard 32GB eMMC (Optional)	Operating System	Linux Ubuntu 18.04 (Optional) Android 6.0 (Optional) Debian 7.0 (Optional) Linux 4.1.15 QT 5.5 (Optional)
ENVIRONMENT			
Operating Humidity	10% to 95% RH	Operating Temperature	-15°C ~ 55°C
Storage Temperature	-30°C ~ 60°C	Shock	40g for 11ms
Vibration	1.48/1.90/2.24 g rms for XYZ/ 5500Hz	IP rating	Full IP65
CERTIFICATION			
Certification	Compliant with MILSTD810F/ G for vibration / shock, CE, FCC		
IO PORTS			
USB Port	1 X USB 2.0 (M12 type) 1 x USB OTG (On side)	Serial Port	1 x RS232 (M12 type)(Optional 422/485) 1 x Console port (Linux Use) (On Side)
SD Card Slot	1 x Micro SD Card Slot	Audio	1 x Speaker
LAN	1 x LAN10/ 100/1000 (M12 type)		
MECHANICAL			
Dimension	184.6 x 145.4 x 39.8 mm	Mounting	VESA Mount/ Panel Mount
Enclosure	Metal Housing with Aluminum Bezel	Cooling System	Fanless Design
POWER			
Power Rating	9V24V DC (M12 type)		
ACCESSORIES			
Quick Start Guide (Hardcopy) Driver CD & User Manual M12 Power Cable M12 Serial Interface Cable M12 USB/ LAN Cable I/O Protective Cap x 3			

*\*Specifications subject to change without notice, not responsible for typographical errors.*

MECHANICAL DRAWINGS UNIT: MM



*This is subject to change without Notice. Final Drawings Will be Provided for Approval after Order.*