

FULL IP5 PANEL PC

10.1" Rugged Full IP65 Panel PC, 1024x600, 450nits
Celeron Bay Trail-M N2930 1.83 GHz with Ultra-low power
consumption and PCAP Multi-Touch

Model: WPCW1010IP-J-FPCT



FEATURES:

- 10.1" 1024 x 600 Resolution with Projected Capacitive MultiTouch (PCAP)
- Intel Celeron Bay TrailM N2930 1.83 GHz
- Fanless cooling system and ultralow power consumption
- Edge-to-edge design
- Full IP65 design with Special M12 Waterproof connectors
- 1 x LAN, 1 x RS232, 1 x USB 2.0

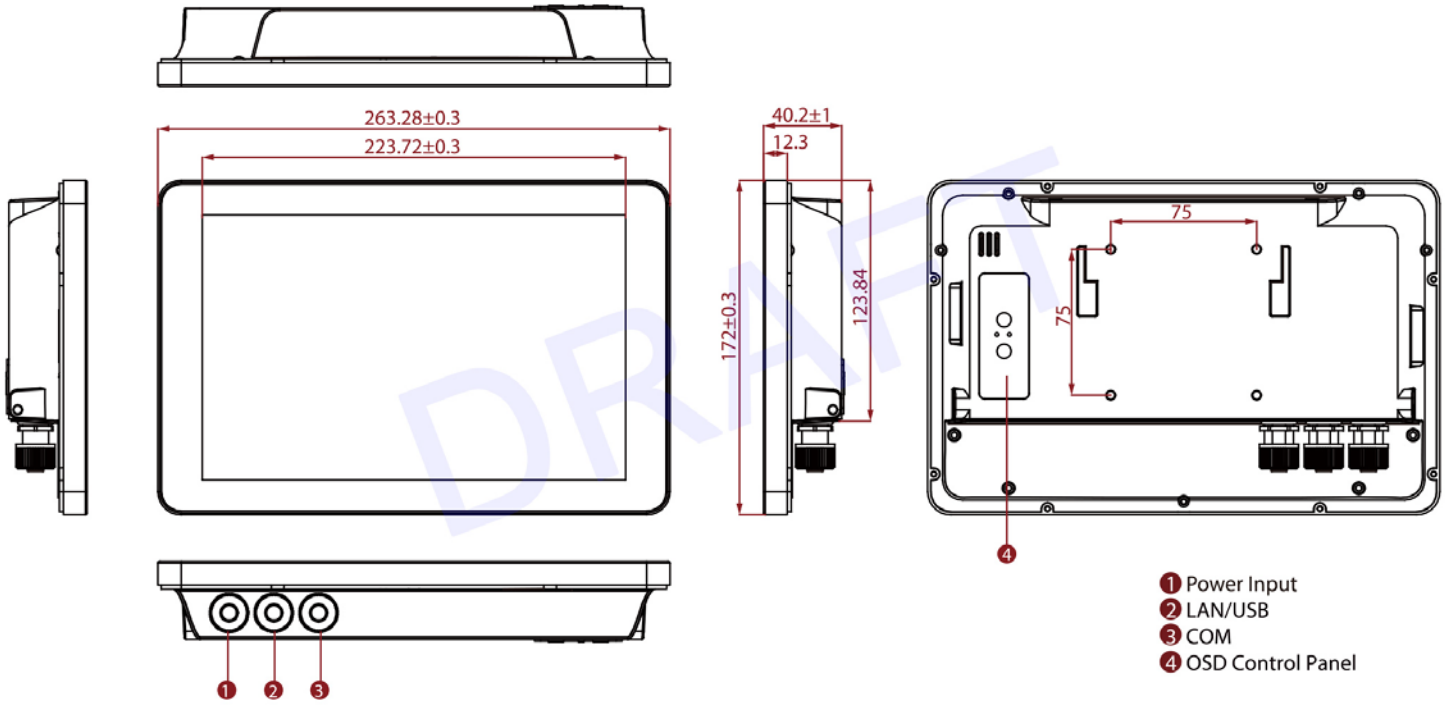


SPECIFICATIONS

DISPLAY			
Resolution	1024x600	Size	10.1 inches
Contrast Ratio	800:1	Panel Brightness	450 nits 800 nits(Optional)
View Angles	75,80,80,80		
Touch / Glass	Projected Capacitive Multi Touch Screen		
SYSTEM SPECIFICATIONS			
Processor	Intel® Celeron® N2930 (2M Cache, up to 2.16 GHz)	Memory	1 x SODIMM, DDR3L 1600 MHz, 4GB 8GB (Optional)
Storage	1 x mSATA SSD 64GB. mSATA SSD up to 512GB. (Optional)	Operating System	Windows 7 Embedded Systems (Optional) Windows 10 IoT Enterprise (Optional) Linux Ubuntu 18.04 (Optional)
Security	TPM 2.0	Ethernet controller	2 x Intel® Ethernet Controller I210AT
WLAN	802.11 a/b/g/n/ac (Optional)	BT	BT Support (Optional)
ENVIRONMENT			
Operating Humidity	10% to 95% RH	Operating Temperature	-15°C ~ 55°C
Storage Temperature	-30°C ~ 60°C	Shock	40g for 11ms
Vibration	1.48/1.90/2.24 g rms for XYZ/ 5500Hz	IP rating	Full IP65
CERTIFICATION			
Certification	Compliant with MILSTD810F/ G for vibration / shock, CE, FCC		
IO PORTS			
USB Port	1 x USB 2.0 (M12 type)	Serial Port	1 x RS232 (M12 type)(Optional 422/485)
SD Card Slot	1 x Micro SD Card Slot	Indicator	LED Indicators: Power, Storage
POWER			
Power Rating	936V DC (M12 type)		
ACCESSORIES			
Quick Start Guide (Hardcopy) Driver CD & User Manual M12 Power Cable M12 Serial Interface Cable M12 USB/ LAN Cable I/O Protective Cap x 3			
CONTROL			
Button	1 x Power Button 1 x Reset Button		

**Specifications subject to change without notice, not responsible for typographical errors.*

MECHANICAL DRAWINGS UNIT: MM



This is subject to change without Notice. Final Drawings Will be Provided for Approval after Order.