

FULL IP5 PANEL PC

10.1" Rugged Full IP65 Panel PC, 1024x600, 450nits
NXP A9 i.MX6 Dual Core 1GHz with Ultra-low power
consumption and PCAP Multi-Touch

Model: WPCW1010IP-N-FPCT



FEATURES:

- 10.1" 1024 x 600 PCAP touchscreen
- NXP A9 i.MX6 Dual Core 1GHz
- Fanless cooling system
- Ultralow
- power consumption
- Full IP65

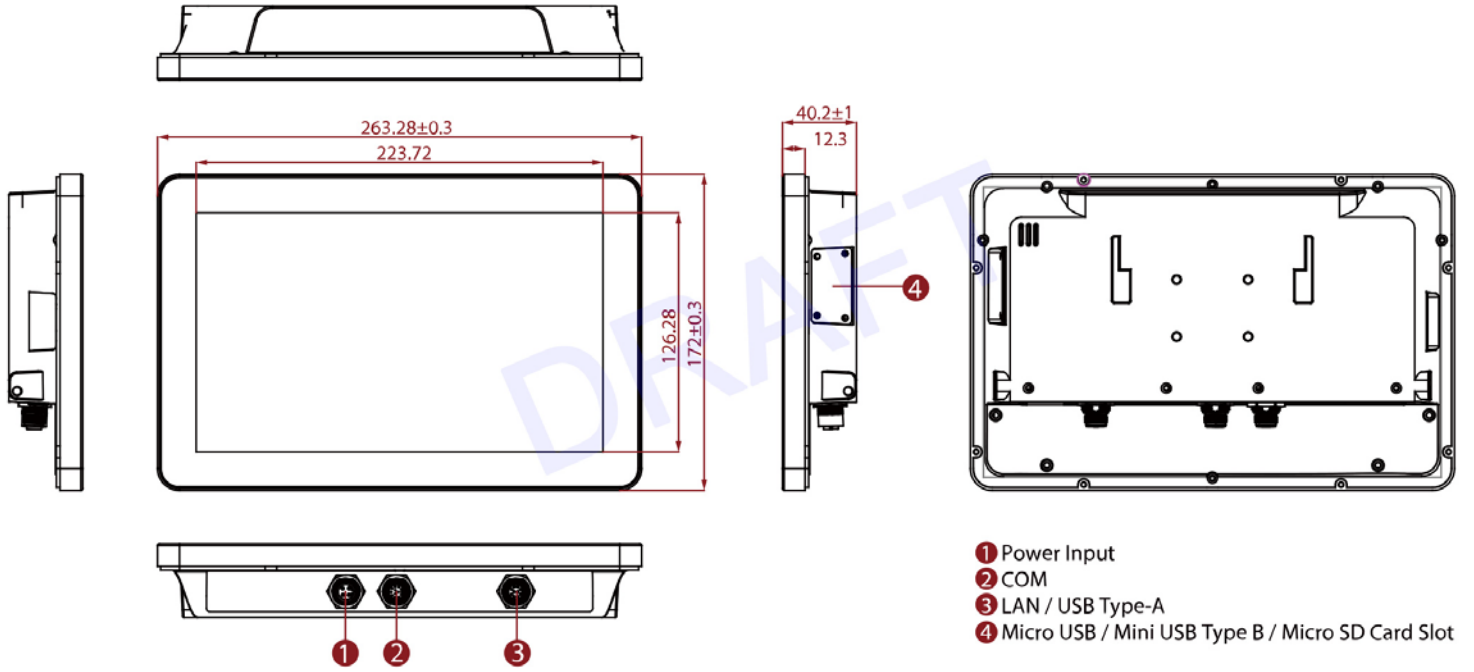


SPECIFICATIONS

DISPLAY			
Resolution	1024x600	Size	10.1 inches
Contrast Ratio	800:1	Panel Brightness	450 nits 800 nits(Optional)
View Angles	75,80,80,80		
Touch / Glass	Projected Capacitive Multi Touch Screen Protection Glass (Optional)		
SYSTEM SPECIFICATIONS			
Processor	NXP i.MX6 Dual Core, 1.0GHz	Memory	1GB 2GB (Optional)
Storage	Onboard 16GB eMMC Onboard 32GB eMMC (Optional)	Operating System	Linux Ubuntu 18.04 (Optional) Android 6.0 (Optional) Debian 7.0 (Optional) Linux 4.1.15 QT 5.5 (Optional)
WLAN	802.11 a/b/g/n/ac (Optional)	BT	BT Support (Optional)
ENVIRONMENT			
Operating Humidity	10% to 95% RH	Operating Temperature	-15°C ~ 55°C
Storage Temperature	-30°C ~ 60°C	Shock	40g for 11ms
Vibration	1.48/1.90/2.24 g rms for XYZ/ 5500Hz	IP rating	Full IP65
CERTIFICATION			
Certification	Compliant with MILSTD810F/ G for vibration / shock, CE, FCC		
IO PORTS			
USB Port	1 X USB 2.0 (M12 type) 1 x USB OTG (On side)	Serial Port	1 x RS232 (M12 type)(Optional 422/485) 1 x Console port (Linux Use) (On Side)
SD Card Slot	1 x Micro SD Card Slot	Audio	1 x Speaker
LAN	1 x LAN10/100/1000 (M12 type)		
MECHANICAL			
Dimension	263.28 x 172 x 40.2 mm	Mounting	VESA Mount/ Panel Mount
Enclosure	Aluminum	Cooling System	Fanless Design
POWER			
Power Rating	12V DC (M12 type)		
ACCESSORIES			
Quick Start Guide (Hardcopy) Driver CD & User Manual M12 Power Cable M12 Serial Interface Cable M12 USB/ LAN Cable I/O Protective Cap x 3			

**Specifications subject to change without notice, not responsible for typographical errors.*

MECHANICAL DRAWINGS UNIT: MM



This is subject to change without Notice. Final Drawings Will be Provided for Approval after Order.