

High Brightness 17" Marine Bridge System Display

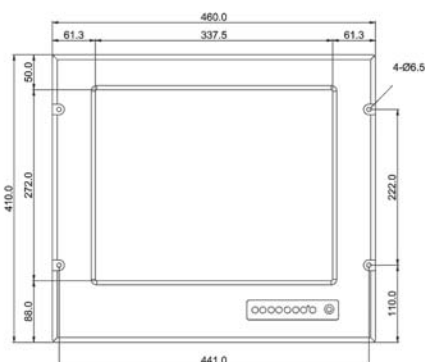
Model: WPM-MAR-1700M1HB



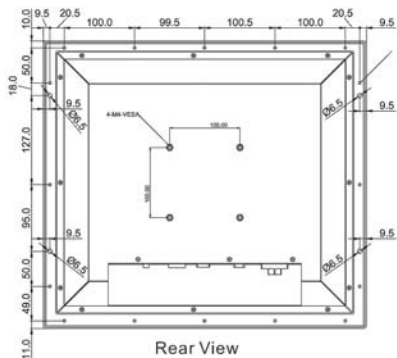
Features

- Hyper Dimming : Dimming knob control backlight brightness from nearly 0% to 100%
- Anti-Corrosion & IP Proof : IP65 aluminum housing with powder coating design (IP54 rear)
- Wide Voltage Range Input : 9 to 36V DC to DC power input acceptable (AC for power option)
- Touchscreen/ Protection Glass : High quality touchscreen / AR protection glass for option
- IP65 OSD Front Panel Design : Ease of use front panel OSD control
- Anti-Shock and Vibration : Enhanced shock and vibration resistance

Mechanical Design Drawing



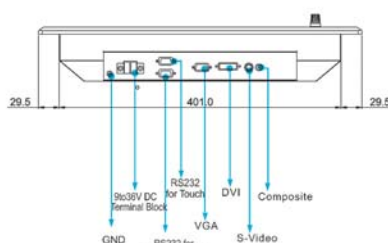
Front View



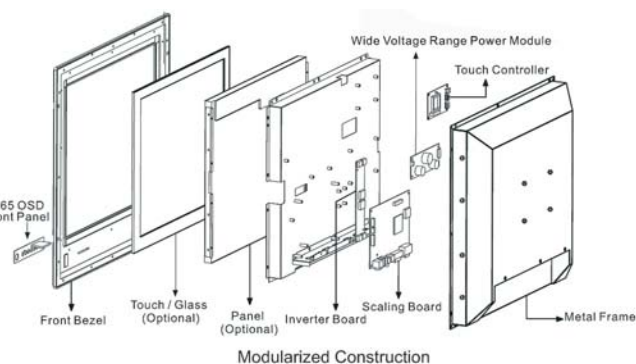
Rear View



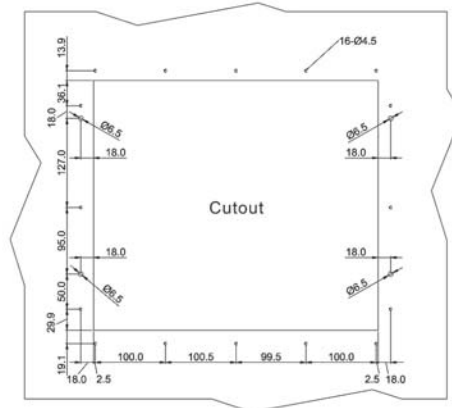
Side View



Bottom View



Modularized Construction



Cutout

* Note: this is a simplified drawing and some components are not marked in detail. Please contact our sales representative if you need further product information.

User Controls:

Power On/Off via front button, VR Brightness Knob Control, Power Mode Status LED, On Screen Display control (OSD), OSD Remote Control via RS-232

TFT Characteristics

Pixel Number	: 1280 x 1024
Pixel Pitch(R&B)	: 0.264 (H) x 0.264 (V) mm
Contrast Ratio	: 1000:1(typ.)
Light Intensity	: 1000 cd/m (typ.)
Viewable Angle	: -85~85(H);-80~80(V)
Active Display Area	: 337.92 (H) x 270.34(V) mm
Max Colors	: 16.7M (6bits+Hi-FRC/colors)

Input Signals

RGB Signal	: D-SUB 15P connector(female)
Composite Video	: RCA phono plug
S-Video Signal	: S-Video (SVHS) plug
DVI-D Signal	: DVI-D input 24pin connector
DC Power Signal	: Screw terminal block
AC Power Signal (Optional)	: Std IEC Inlet
Touch Screen (Optional)	: D-SUB 9P connector (female)
Remote via RS-232 (Optional)	: D-SUB 9P connector (female)

Power Specification

Power Supply Options	: 9 to 36V DC power supply with Terminal block (Default, Isolation Resistance), 90 to 265V AC power supply
Power Consumption	: 48 W typical, normal operation

Mechanical and Environmental

Mechanical Mounting	: Panel (Flush) mount with IP65*, VESA, Bracket mounting
Operating Temperature	: -10 to 55 deg.C (-20 to 60 deg.C for optional heating)
Operating Humidity	: 5% to 95% (non condensing)
Anti-Vibration	: 5Hz~500Hz / 1Grms/3 Axis
Anti-Shock	: 15G, 11ms duration
* SAW touch for IP54	

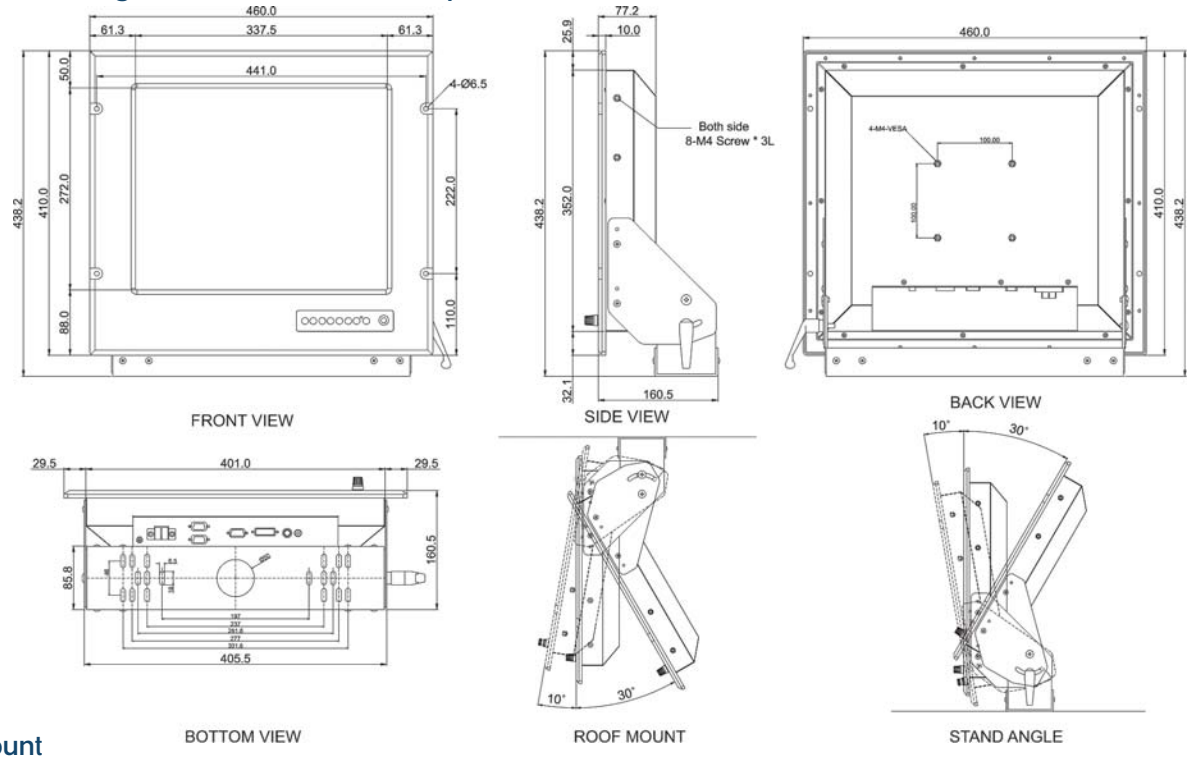
Available Options

Touch Screen Options	: 5 Wire Resistive
AR Safety Glass Option	: 3mm Anti-reflective protection glass
AC power Options	: Yes (90 to 265 V AC power input)
Bracket Mounting Options	: Yes (One robust bracket can adjust from -10 to 30 deg.)

High Brightness 17" Marine Bridge System Display

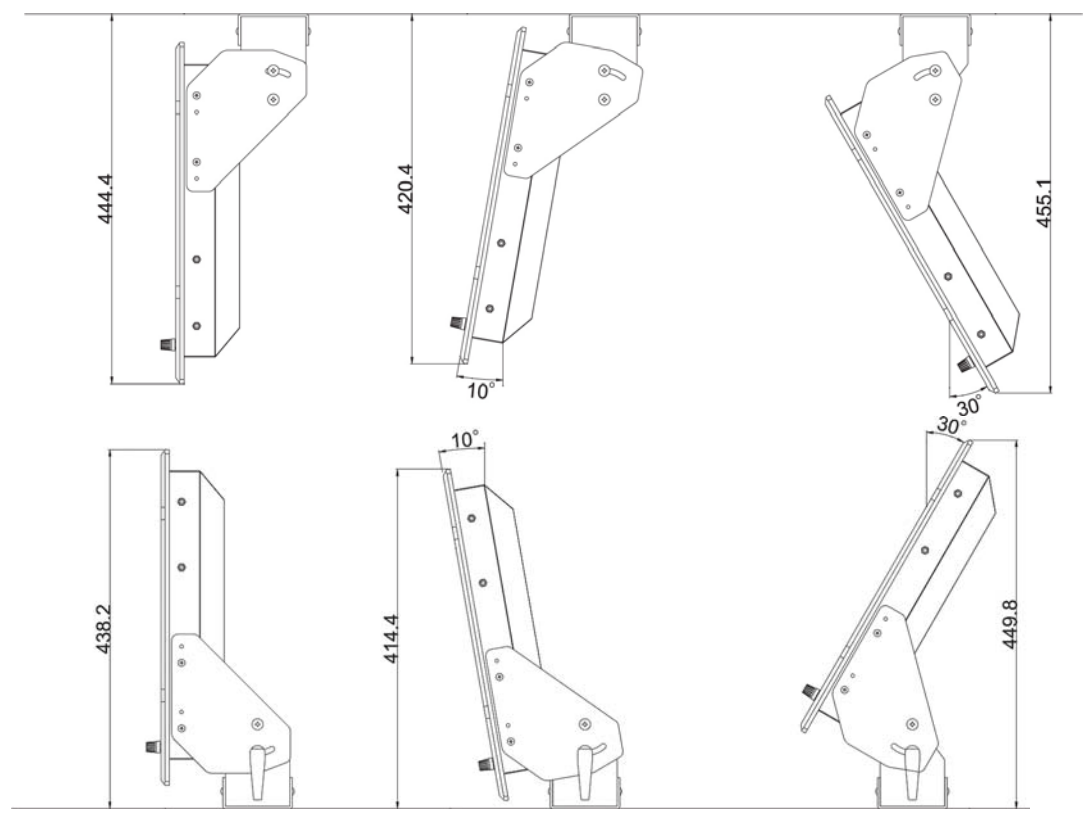
Model: WPM-MAR-1700M1HB

Mechanical Design with Robust Bracket (Options)



Roof Mount

Stand Angle



All Dimensions are ± 0.5 mm

* Note: this is a simplified drawing and some components are not marked in detail. Please contact our sales representative if you need further product information.

Certification and Approvals : IEC 60945, DNV 2.4, IACS-E10
 DNV Type Approval, CE, FCC



* Extra charge is required for back covers with bracket holes for products purchased before end of Nov. 08'



I-Tech Company LLC
 TOLL FREE: (888) 483-2418 • EMAIL: info@itechlcd.com • WEB: www.itechlcd.com