

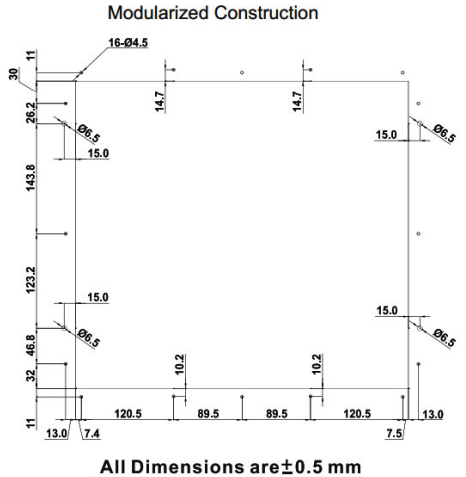
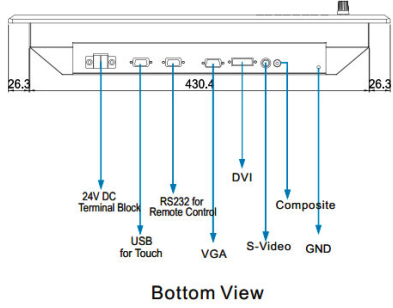
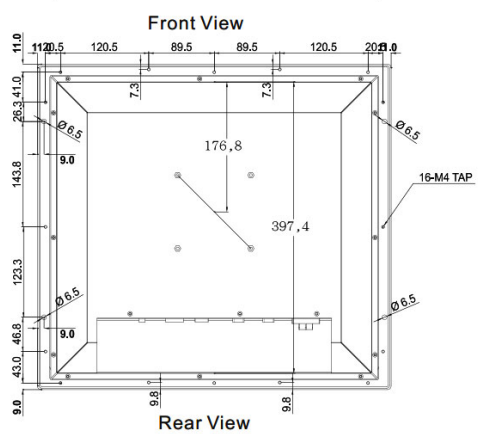
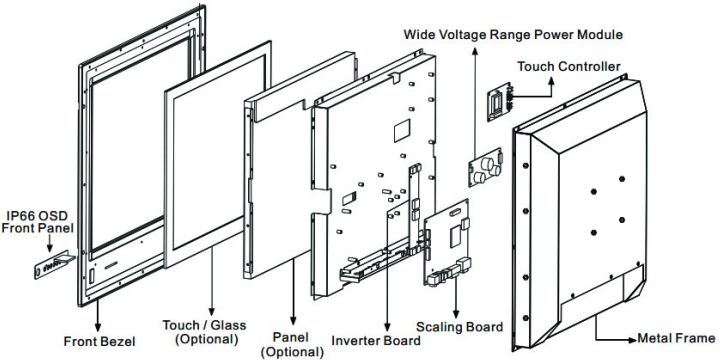
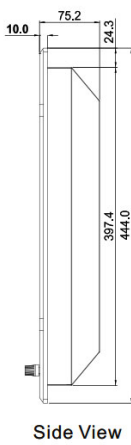
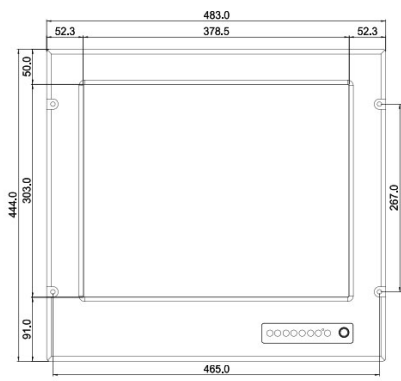
19" Marine Bridge System Display

Model: WPM-MAR-1900A1



- Features**
- Hyper Dimming : Dimming knob control backlight brightness from nearly 0% to 100%
 - Sunlight Readable : Transflective film technology enhance visibility
 - Anti-Corrosion & IP Proof : IP65 aluminum housing with powder coating design (IP54 rear)
 - Wide Voltage Range Input : 24 V DC to DC power input acceptable (Isolation Resistance)
 - Touchscreen/ Protection Glass : High quality touchscreen / AR protection glass for option
 - Multiscan Function : PIP (picture in picture) function and multi-video inputs
 - IP65 OSD Front Panel Design : Ease of use front panel OSD control
 - Anti-Shock and Vibration : Enhanced shock and vibration resistance

Mechanical Design Drawing



All Dimensions are ±0.5 mm

User Controls:

Power On/Off via front button, VR Brightness Knob Control, Power Mode Status LED, On Screen Display control (OSD), OSD Remote Control via RS-232

TFT Characteristics

- Pixel Number : 1280 x 1024
- Pixel Pitch(R&B) : 0.294 (H) x 0.294 (V) mm
- Contrast Ratio : 1000:1 (typ.)
- Light Intensity : 400 cd/m (typ.)
- Viewable Angle : -85~85(H); -80~80(V)
- Active Display Area : 376.32 (H) x 301.06(V) mm
- Max Colors : 16.7M (8bit/colors)

Input Signals

- RGB Signal : D-SUB 15P connector (female)
- Composite Video : RCA phono plug
- S-Video Signal : S-Video (SVHS) plug
- DVI-D Signal : DVI-D input 24pin connector
- DC Power Signal : Screw terminal block
- AC Power Signal (Optional) : Std IEC Inlet
- Touch Screen (Optional) : D-SUB 9P connector (female)
- Remote via RS-232 (Optional) : D-SUB 9P connector (female)

Power Specification

- Power Supply Options : 24 V DC power supply with Terminal block (Default, Isolation Resistance)
- Power Consumption : 45W typical, normal operation

Mechanical and Environmental

- Mechanical Mounting : Panel (Flush) mount with IP65*, VESA, Bracket mounting
- Operating Temperature : -10 to 55 deg.C (-20 to 60 deg.C for optional heating)
- Operating Humidity : 5% to 95% (non condensing)
- Anti-Vibration : 5Hz~500Hz / 1Grms/3 Axis
- Anti-Shock : 15G, 11ms duration
- * SAW touch for IP54

Available Options

- AR Safety Glass Option : 3mm Anti-reflective protection glass
- Transflective Options : Yes (Enhance Visibility)
- Bracket Mounting Options : Yes (One robust bracket can adjust from -10 to 30 deg.)

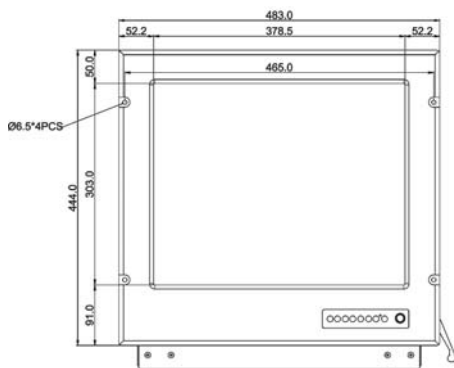
19" Marine Bridge System Display

Model: WPM-MAR-1900A1

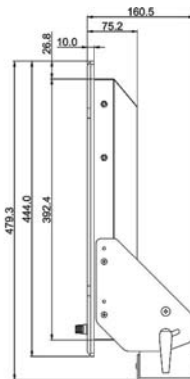
Photo Gallery



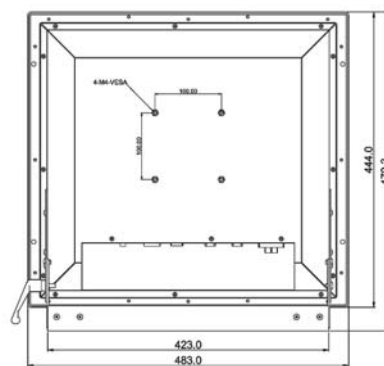
Mechanical Design with Robust Bracket (Options)



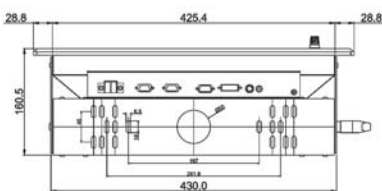
FRONT VIEW



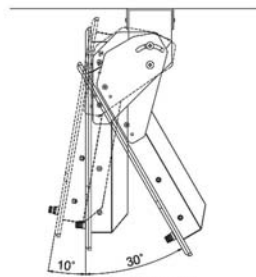
SIDE VIEW



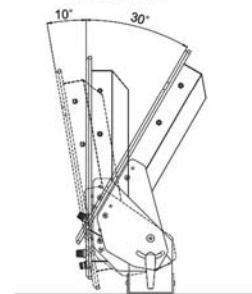
BACK VIEW



BOTTOM VIEW



ROOF MOUNT

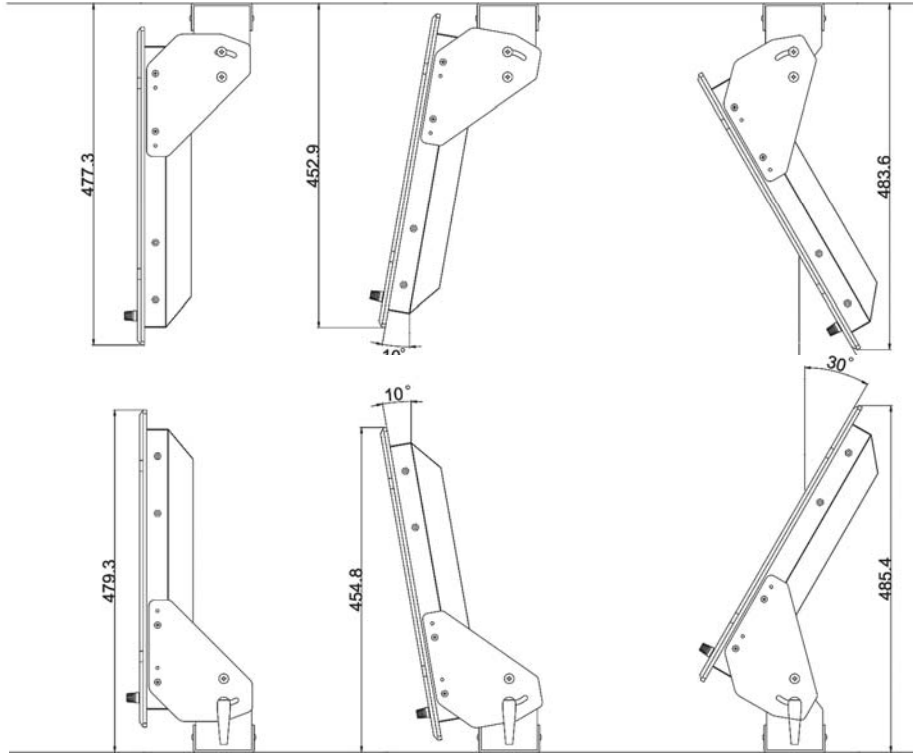


STAND ANGLE

19" Marine Bridge System Display

Model: WPM-MAR-1900A1

Roof Mount



Stand Angle

All Dimensions are ± 0.5 mm

* Note: this is a simplified drawing and some components are not marked in detail. Please contact our sales representative if you need further product information.

Certification and Approvals : IEC 60945, DNV 2.4, IACS-E10
DNV Type Approval, CE, FCC



* Extra charge is required for back covers with bracket holes for products purchased before end of Nov. 08'