



Model: WPM-MAR-H1200M4

12" Rugged Transflective SunLight Readable Marine LCD

Dimming 0~100%	Sunlight Readable	PIP	IP65 Proof	8- to36V DC input	Anti- Corrosion (Option)	OSD from panel	AR Safety Glass (option)	Touch Screen
-------------------	----------------------	-----	------------	----------------------	--------------------------------	-------------------	--------------------------------	-----------------

Features:

Hyper Dimming:	Dimming knob control backlight brightness from nearly 0% to 100%
Sunlight Readable:	Transflective film technology enhance visibility
Ruggedized IP65 Proof:	Panel (flush) mount IP65 aluminum housing with powder coating design (IP54 rear)
Wide Voltage Range Input :	8 to 36V DC to DC power input acceptable
Touchscreen :	High quality touchscreen / AR protection glass for option
Multiscan Function:	PIP(picture in picture) function and multi-video inputs
IP65 OSD front panel Design:	Ease of use front panel OSD control
Anti-shock and Vibration:	Enhanced shock and vibration resistance

TFT Characteristics

Pixel Number	1024x768
Pixel Pitch(R&B)	0.264 (H) x 0.264 (V)
Contrast Ratio	700 : 1(typ.)
Light Intensity	1000 (typ.)
Viewable Angle	-60~60 (H); -75~45 (V)
Active Display Area	245.76 (H) x 184.32 (V)
Max Colors	16.7M (8bits/color)

Certification and Approvals

Certification	CE, FCC
Approvals	DNV Type Approval (Pending)

Input Signals

RGB Signal	D-SUB 15P connector(female)
Composite Video	RCA phono plug
S-Video Signal	S-Video (SVHS) plug
DVI-D Signal	DVI-D input 24pin connector
DC Power Signal	Screw terminal block
AC Power Signal (Optional)	Std IEC Inlet
Touch Screen (Optional)	D-SUB 9P connector (female)
Remote via RS-232 (Optional)	D-SUB 9P connector (female)

User Controls

- Power On/Off via front button
- VR Brightness Knob Control
- On Screen Display control(OSD)
- OSD Remote Control via RS-232
- Power Mode Status LED

Power Specification

Power Supply Options	8 to 36 V DC to DC power supply with terminal block. 90 to 265 V AC (optional)
Power Consumption	54 W typical, normal operation

Environmental Considerations

Operating Temperature	-10 to 55 deg.C (-20 to 60 deg.C for optional heating)
Humidity	5% to 95% (non condensing)
Anti-Vibration	5Hz~500Hz / 1Grms/3 Axis
Anti-Shock	15G, 11ms duration

Available Options

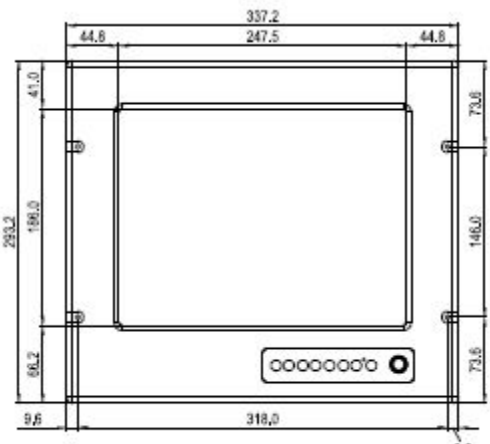
Mechanical Options	Panel (Flush) mount with IP65 (SAW touch for IP54)
Touch Screen Options	SAW, 5 Wire Resistive
AR Safety Glass Option	3mm Anti-reflective protection glass
	Yes



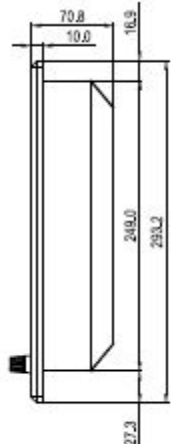


Model: WPM-MAR-H1200M4

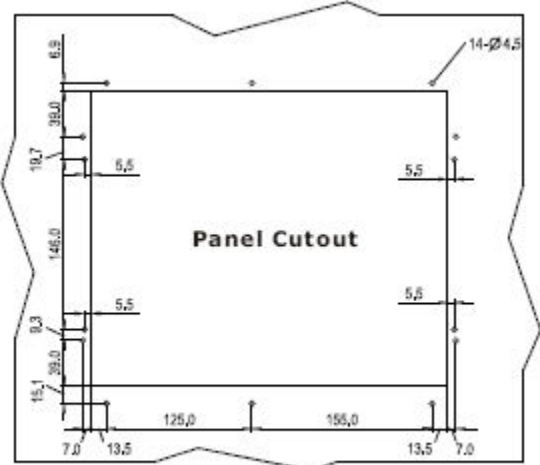
12" Rugged Transflective SunLight Readable Marine LCD



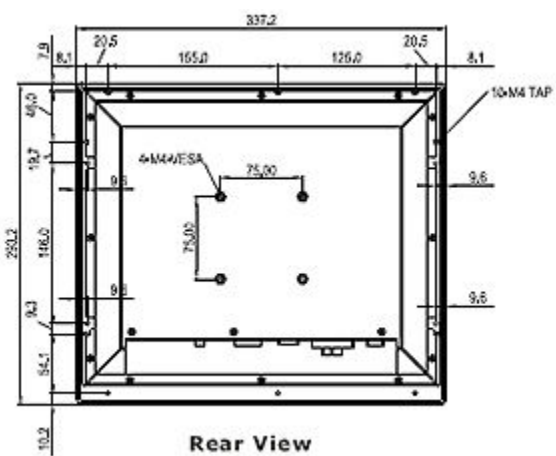
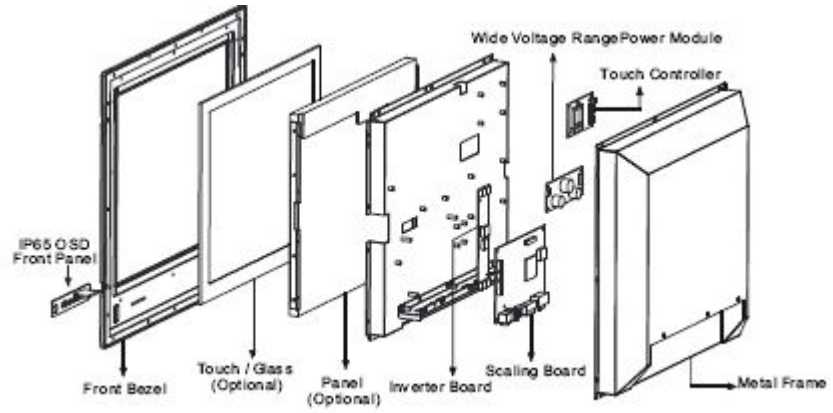
Front View



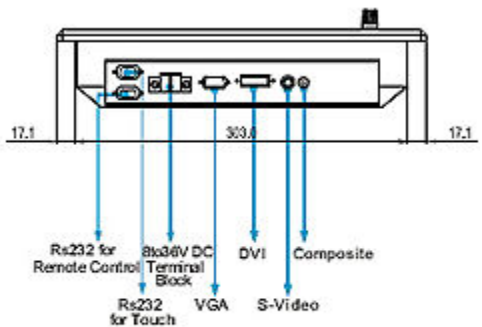
Side View



All Dimensions are ±0.5 mm



Rear View



Bottom View

