

12" Rugged Transflective SunLight Readable Marine LCD

Model: WPM-MAR-H1200M6



Dimming 0~100%	Sunlight Readable	PIP	IP65 Proof	8- to36V DC input	Anti- Corrosion (Option)	OSD from panel	AR Safety Glass (option)	Touch Screen
-------------------	----------------------	-----	------------	----------------------	--------------------------------	-------------------	--------------------------------	-----------------

Features:

- Hyper Dimming:** Dimming knob control backlight brightness from nearly 0% to 100%
- Sunlight Readable:** High brightness TFT-LCD panel enhance the best visibility
- Ruggedized IP65 Proof:** Panel (flush) mount IP65 aluminum housing with powder coating design (IP54 rear)
- Wide Voltage Range Input :** 8 to 36V DC to DC power input acceptable
- Touchscreen :** High quality touchscreen / AR protection glass for option
- Multiscan Function:** PIP(picture in picture) function and multi-video inputs
- IP65 OSD front panel Design:** Ease of use front panel OSD control
- Anti-shock and Vibration:** Enhanced shock and vibration resistance

TFT Characteristics

Pixel Number	800x600
Pixel Pitch(R&B)	0.3075 (H)x0.3075 (V)
Contrast Ratio	500 : 1(typ.)
Light Intensity	1000 (typ.)
Viewable Angle	-60~60 (H); -75~45 (V)
Active Display Area	245.76 (H) x 184.32 (V)
Max Colors	16.7M (8bits/color)

Certification and Approvals

Certification	CE, FCC
Approvals	DNV Type Approval (Pending)

Input Signals

RGB Signal	D-SUB 15P connector(female)
Composite Video	RCA phono plug
S-Video Signal	S-Video (SVHS) plug
DVI-D Signal	DVI-D input 24pin connector
DC Power Signal	Screw terminal block
AC Power Signal (Optional)	Std IEC Inlet
Touch Screen (Optional)	D-SUB 9P connector (female)
Remote via RS-232 (Optional)	D-SUB 9P connector (female)

User Controls

- Power On/Off via front button
- VR Brightness Knob Control
- On Screen Display control(OSD)
- OSD Remote Control via RS-232
- Power Mode Status LED

Power Specification

- Power Supply Options: 8 to 36 V DC to DC power supply with terminal block. 90 to 265 V AC (optional)
- Power Consumption: 53 W typical, normal operation

Environmental Considerations

- Operating Temperature: -10 to 55 deg.C (-20 to 60 deg.C for optional heating)
- Humidity: 5% to 95% (non condensing)
- Anti-Vibration: 5Hz~500Hz / 1Grms/3 Axis
- Anti-Shock: 15G, 11ms duration

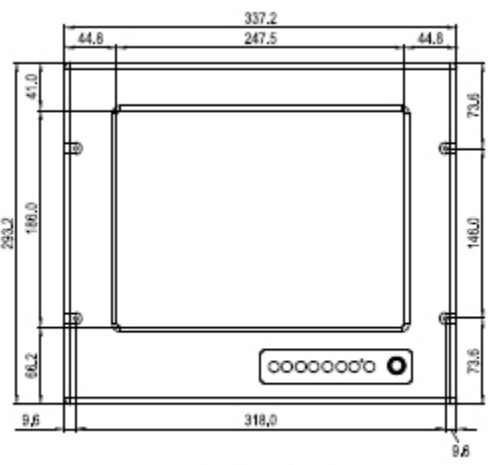
Available Options

- Mechanical Options: Panel (Flush) mount with IP65 (SAW touch for IP54)
- Touch Screen Options: SAW, 5 Wire Resistive
- AR Safety Glass Option: 3mm Anti-reflective protection glass
- Yes



12" Rugged Transflective SunLight Readable Marine LCD

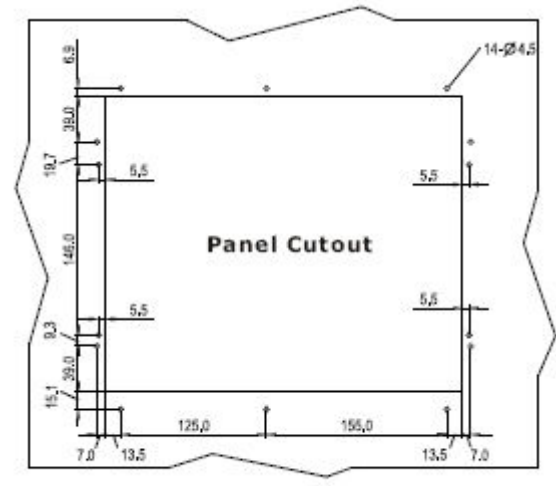
Model: WPM-MAR-H1200M6



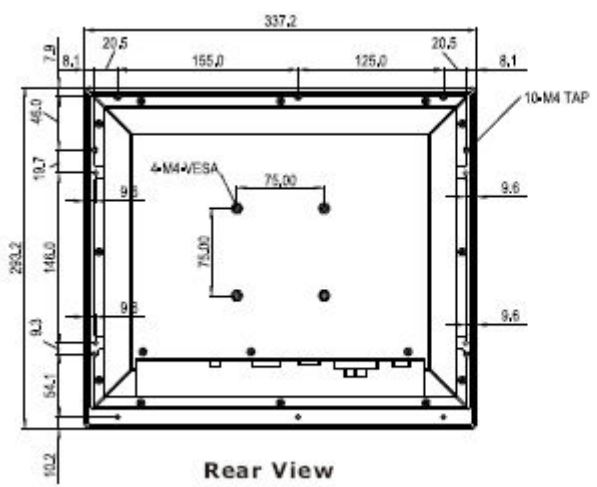
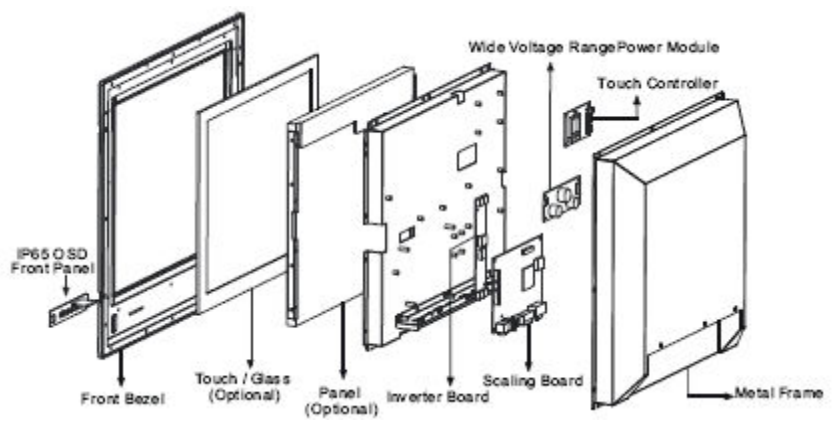
Front View



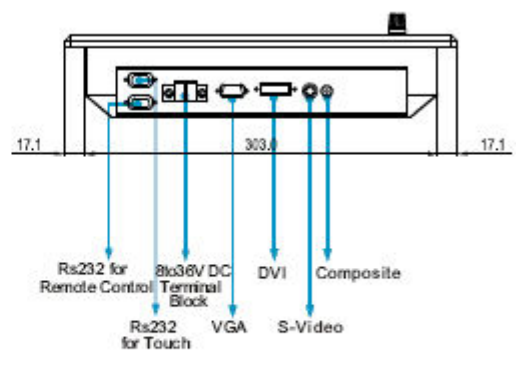
Side View



All Dimensions are ± 0.5 mm



Rear View



Bottom View