



Model: WPM-MAR1040M2

10.4" Rugged Transflective SunLight Readable Marine LCD

| | | | | | | | | |
|-------------------|----------------------|-----|------------|----------------------|--------------------------------|-------------------|--------------------------------|-----------------|
| Dimming 0~100% | Sunlight Readable | PIP | IP65 Proof | 8- to36V DC input | Anti- Corrosion (Option) | OSD from panel | AR Safety Glass (option) | Touch Screen |
|-------------------|----------------------|-----|------------|----------------------|--------------------------------|-------------------|--------------------------------|-----------------|

Features:

| | |
|---|--|
| Hyper Dimming: | Dimming knob control backlight brightness from nearly 0% to 100% |
| Sunlight Readable: | Transflective film technology enhance visibility |
| Anti-Corrosion & IP65 Proof: | IP65 aluminum housing with powder coating design (IP54 rear) |
| Wide Voltage Range Input : | 24 DC to DC power input acceptable |
| Touchscreen : | High quality touchscreen / AR protection glass for option |
| Multiscan Function: | PIP(picture in picture) function and multi-video inputs |
| IP65 OSD front panel Design: | Ease of use front panel OSD control |
| Anti-shock and Vibration: | Enhanced shock and vibration resistance |

TFT Characteristics

| | |
|---------------------|------------------------|
| Pixel Number | 800 x 600 |
| Pixel Pitch(R&B) | 0.264 (H) x 0.264 (V) |
| Contrast Ratio | 500 : 1(typ.) |
| Light Intensity | 560 (typ.) |
| Viewable Angle | -70~70 (H); -60~50 (V) |
| Active Display Area | 211.2 (H) x 158.4 (V) |
| Max Colors | 16.7M (8bits/color) |

Certification and Approvals

| | |
|---------------|------------------------------|
| Certification | IEC 60945, DNV 2.4, IACE-E10 |
| Approvals | DNV Type Approval, CE, FCC |

Input Signals

| | |
|------------------------------|-----------------------------|
| RGB Signal | D-SUB 15P connector(female) |
| Composite Video | RCA phono plug |
| S-Video Signal | S-Video (SVHS) plug |
| DVI-D Signal | DVI-D input 24pin connector |
| DC Power Signal | Screw terminal block |
| Touch Screen (Optional) | D-SUB 9P connector (female) |
| Remote via RS-232 (Optional) | D-SUB 9P connector (female) |

User Controls

Power On/Off via front button
 VR Brightness Knob Control
 On Screen Display control(OSD)
 OSD Remote Control via RS-232
 Power Mode Status LED

Power Specification

| | |
|----------------------|--|
| Power Supply Options | 24 V DC to DC power supply with terminal block |
| Power Consumption | 21 W typical, normal operation |

Environmental Considerations

| | |
|-----------------------|--|
| Operating Temperature | -10 to 55 deg.C (-20 to 60 deg.C for optional heating) |
| Humidity | 5% to 95% (non condensing) |
| Anti-Vibration | 5Hz~500Hz / 1Grms/3 Axis |
| Anti-Shock | 15G, 11ms duration |

Available Options

| | |
|------------------------|--|
| Mechanical Options | Panel (Flush) mount with IP65 (SAW touch for IP54) |
| Touch Screen Options | SAW, 5 Wire Resistive |
| AR Safety Glass Option | 3mm Anti-reflective protection glass |
| VESA Mounting | Yes |



i-Tech Company LLC

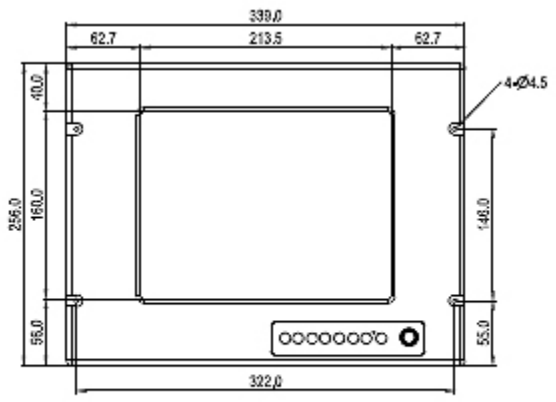
TOLL FREE: (888) 483-2418 • EMAIL: info@i-techcompany.com • WEB: www.i-techcompany.com

www.i-techcompany.com www.i-techcompany.com www.i-techcompany.com www.i-techcompany.com

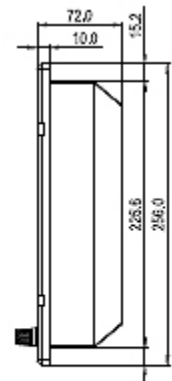


Model: WPM-MAR1040M2

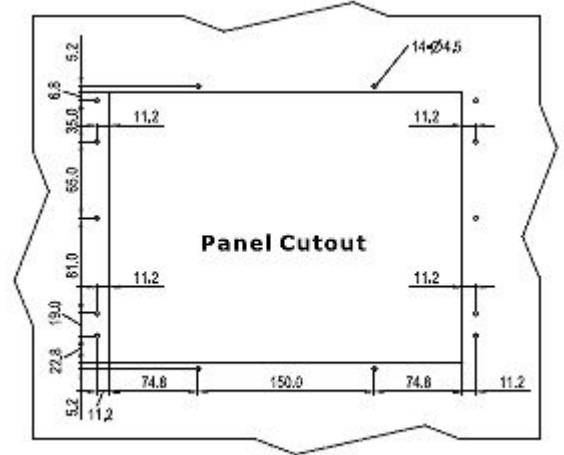
10.4" Rugged Transflective SunLight Readable Marine LCD



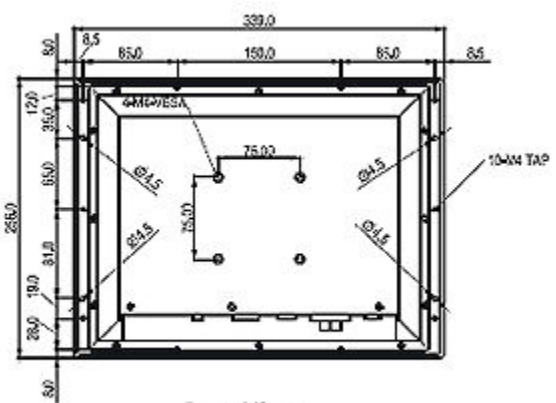
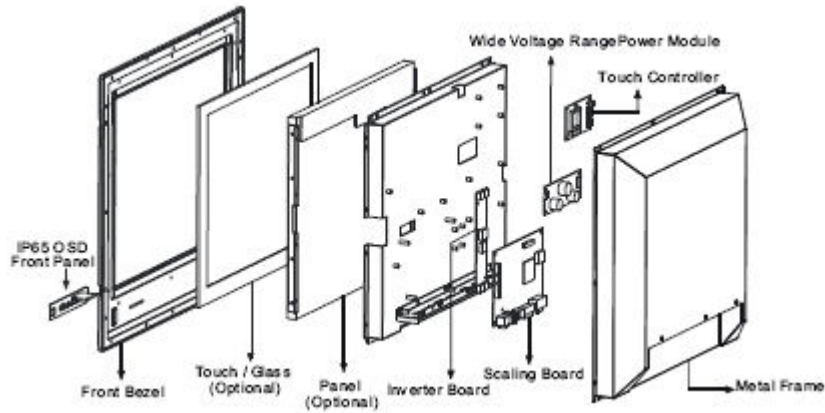
Front View



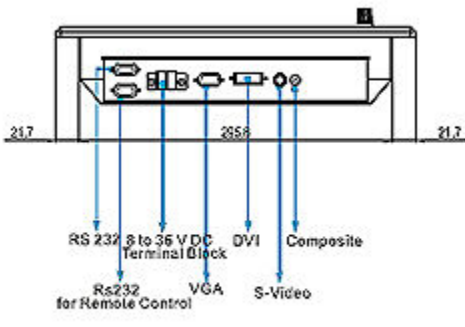
Side View



All Dimensions are ± 0.5 mm



Rear View



Bottom View

