



Model: WPM-MAR1200M1

12" Rugged Transflective SunLight Readable Marine LCD

Dimming 0~100%	Sunlight Readable	PIP	IP65 Proof	8- to36V DC input	Anti- Corrosion (Option)	OSD from panel	AR Safety Glass (option)	Touch Screen
-------------------	----------------------	-----	------------	----------------------	--------------------------------	-------------------	--------------------------------	-----------------

Features:

Hyper Dimming	:Dimming knob control backlight brightness from 0% to 100%
Sunlight Readable	:Transflective film technology enhance visibility (High brightness panel for option)
Ruggedized IP65 Proof	:Panel mount IP65 aluminum housing design(IP54 rear)
Wide Voltage Range Input	:8 to 36V DC to DC power input acceptable (AC power for option)
Touchscreen	:High quality SAW touch screen integration (5 wire resistive for option)
Multiscan function	:PIP(picture in picture) function and multi-video inputs
IP65 OSD front panel Design	:Ease of use front panel OSD control
Anti-shock and Vibration	:Enhanced shock and vibration resistance

TFT Characteristics

Pixel Number	1024 x 768
Pixel Pitch(R&B)	0.264 (H) x 0.264 (V) mm
Contrast Ratio	550 : 1(typ.)
Light Intensity	300 cd/m (typ.)
Viewable Angle	-50~50 (H); -60~60 (V)
Active Display Area	245.76 (H) x 184.32 (V) mm
Max Colors	262,144 (6bits/colorS)

Input Signals

RGB Signal	D-SUB 15P connector(female)
Composite Video	RCA phono plug
S-Video Signal	S-Video (SVHS) plug
DVI-D Signal	DVI-D input 24pin connector
DC Power Signal	Screw terminal block
AC Power Signal (Option)	Std IEC Inlet
Touch Screen (Optional)	D-SUB 9P connector (female)
Remote via RS-232 (Optional)	D-SUB 9P connector (female)

User Controls

Power On/Off via front button
 VR Brightness Knob Control
 Power Mode Status LED
 On Screen Display control(OSD)
 OSD Remote Control via RS-232

Power Specification

Power Supply Options	8 to 36 V DC to DC power supply with terminal block 90 to 265 V AC (optional)
Power Consumption	20 W typical, normal operation

Environmental Considerations

Operating Temperature	0 deg.C to 50 deg.C
Humidity	5% to 95% (non condensing)
Anti-Vibration	5Hz~500Hz / 1Grms/3 Axis
Anti-Shock	15G, 11ms duration

Available Options

Mechanical Options	IP65, Panel Mount, Open Frame
Touch Screen Options	SAW (default), 5 Wire Resistive
AR Safety Glass Option	5mm Anti-reflective protection glass

www.i-techcompany.com www.i-techcompany.com www.i-techcompany.com www.i-techcompany.com



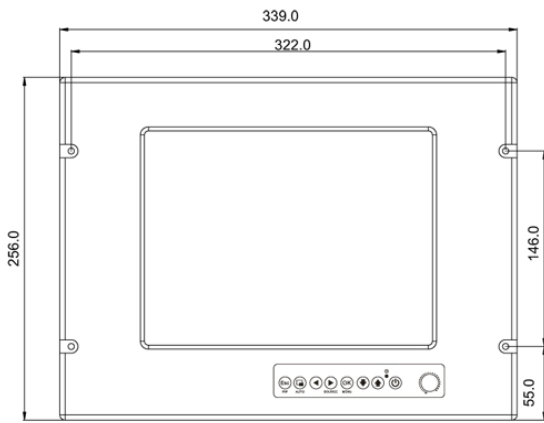
Toll Free: 1-888-itech-18 USA Phone: 1-510-429-9288 Fax: 1-510-372-2736

E-mail: sales@i-techcompany.com 30081 Ahern Ave Union City. CA94587 USA

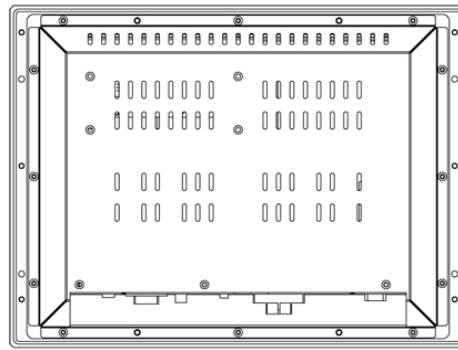


Model: WPM-MAR1200M1

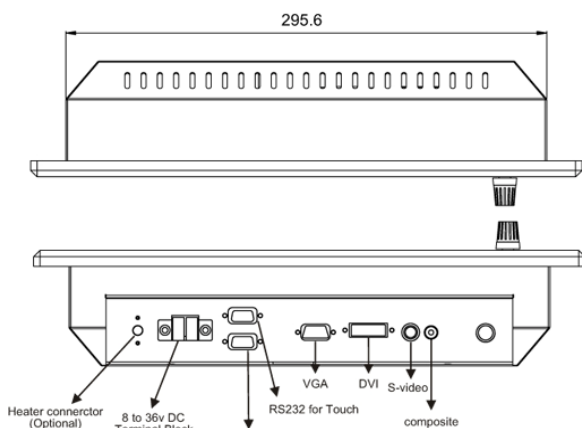
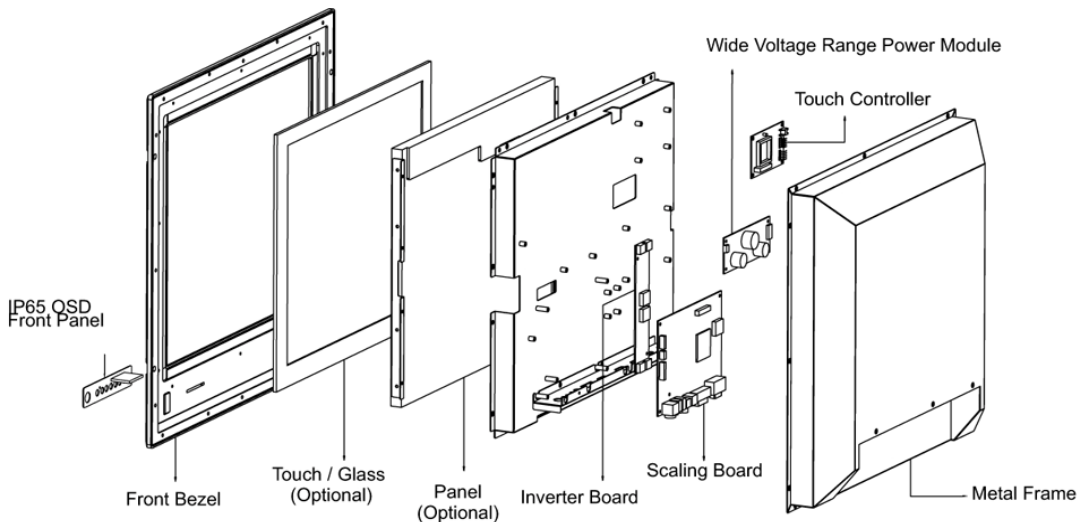
12" Rugged Transflective SunLight Readable Marine LCD



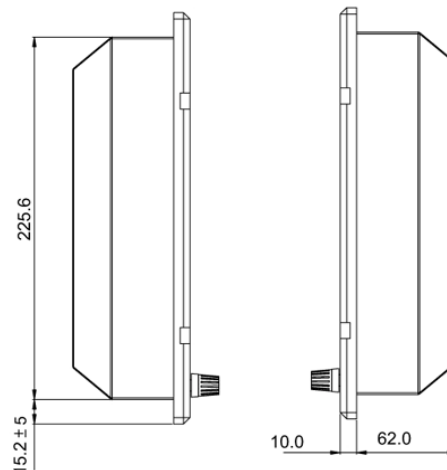
Front View



Rear View



Bottom View



Side View