



# Model: WPM-MAR-1500A1

## 15" Rugged Transflective SunLight Readable Marine LCD

Dimming 0~100%	Sunlight Readable	PIP	IP65 Proof	24V DC to DC input	Anti- Corrosion (Option)	OSD from panel	AR Safety Glass (option)	Touch Screen
-------------------	----------------------	-----	------------	-----------------------	--------------------------------	-------------------	--------------------------------	-----------------

### Features:

<b>Hyper Dimming:</b>	Dimming knob control backlight brightness from nearly 0% to 100%
<b>Sunlight Readable:</b>	Transflective film technology enhance visibility
<b>Ruggedized IP65 Proof:</b>	Panel (flush) mount IP65 aluminum housing with powder coating design (IP54 rear)
<b>Wide Voltage Range Input :</b>	8 to 36V DC to DC power input acceptable
<b>Touchscreen :</b>	High quality touchscreen / AR protection glass for option
<b>Multiscan Function:</b>	PIP(picture in picture) function and multi-video inputs
<b>IP65 OSD front panel Design:</b>	Ease of use front panel OSD control
<b>Anti-shock and Vibration:</b>	Enhanced shock and vibration resistance

### TFT Characteristics

Pixel Number	1024x768
Pixel Pitch(R&B)	0.297 (H) x 0.297 (V)
Contrast Ratio	500:1 (typ.)
Light Intensity	650 (typ.)
Viewable Angle	-70~70 (H); -50~70 (V)
Active Display Area	304.128 (H) x 228.096 (V)
Max Colors	16.7M (8bits/color)

### Certification and Approvals

Certification	CE, FCC
Approvals	DNV Type Approval (Pending)

### Outdoor Readability

Ambient light(nit)	10,000	30,000	80,000
Brightness gain (nit)	680	870	1,320
Reflectance(net)(%)	1.00%	0.98%	0.90%
Note	*Equivalent brightness under sunlight.		

### Input Signals

RGB Signal	D-SUB 15P connector(female)
Composite Video	RCA phono plug
S-Video Signal	S-Video (SVHS) plug
DVI-D Signal	DVI-D input 24pin connector
DC Power Signal	Screw terminal block
AC Power Signal (Optional)	Std IEC Inlet
Touch Screen (Optional)	D-SUB 9P connector (female)
Remote via RS-232 (Optional)	D-SUB 9P connector (female)

\*Due to Panel material's deviation, different panel supplier will set different specific variance range to optical characteristics. The factors of time used, Lamp current, Ambient temperature will influence the optical measurements.

### User Controls

- Power On/Off via front button
- VR Brightness Knob Control
- On Screen Display control(OSD)
- OSD Remote Control via RS-232
- Power Mode Status LED

### Power Specification

Power Supply Options	8 to 36 V DC to DC power supply with terminal block. 90 to 265 V AC (optional)
Power Consumption	40 W typical, normal operation

### Environmental Considerations

Operating Temperature	-10 to 55 deg.C (-20 to 60 deg.C for optional heating)
Humidity	5% to 95% (non condensing)
Anti-Vibration	5Hz~500Hz / 1Grms/3 Axis
Anti-Shock	15G, 11ms duration

### Available Options

Mechanical Options	Panel (Flush) mount with IP65 (SAW touch for IP54)
Touch Screen Options	SAW, 5 Wire Resistive
AR Safety Glass Option	3mm Anti-reflective protection glass
	Yes



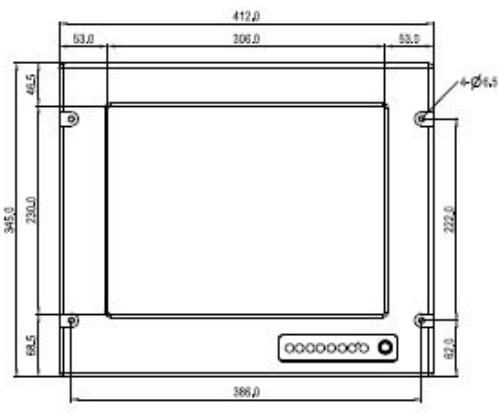
i-Tech Company LLC

TOLL FREE: (888) 483-2418 • EMAIL: [info@i-techcompany.com](mailto:info@i-techcompany.com) • WEB: [www.i-techcompany.com](http://www.i-techcompany.com)

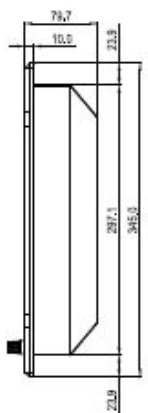


# Model: WPM-MAR-1500A1

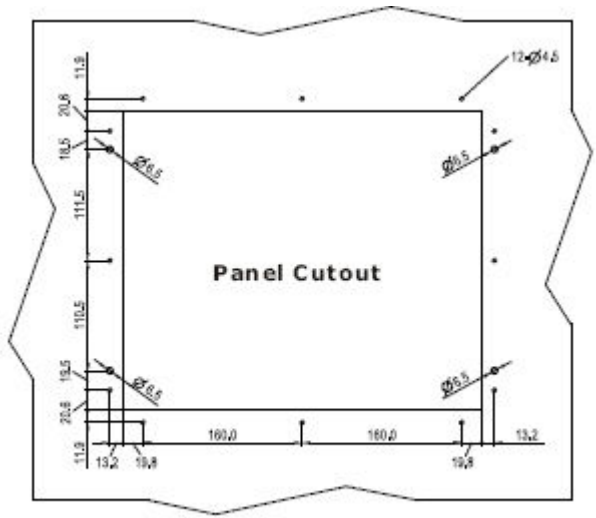
## 15" Rugged Transflective SunLight Readable Marine LCD



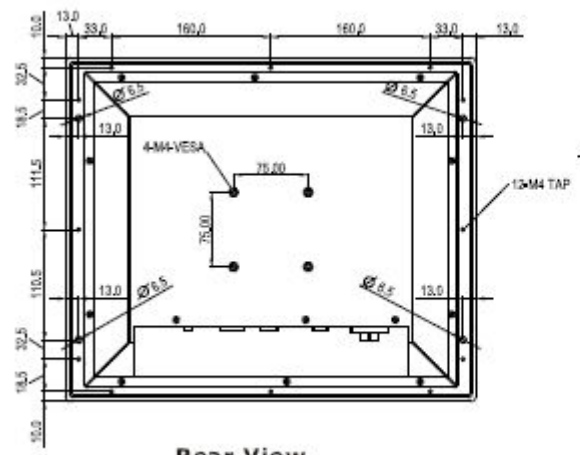
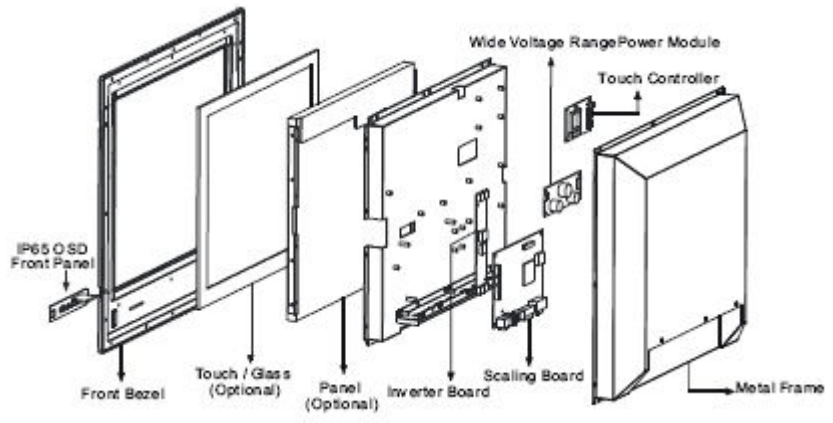
Front View



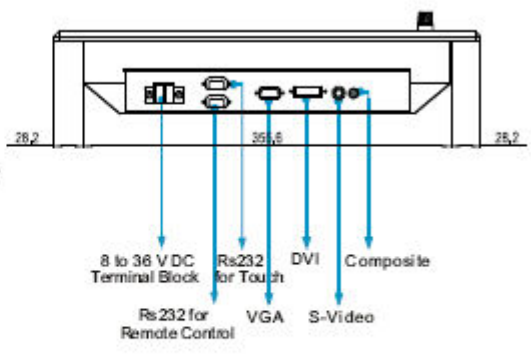
Side View



All Dimensions are ±0.5 mm



Rear View



Bottom View

