



# Model: WPM-MAR-1500M2

## 15" Rugged Transflective SunLight Readable Marine LCD

|                   |                      |     |            |                       |                                |                   |                                |                 |
|-------------------|----------------------|-----|------------|-----------------------|--------------------------------|-------------------|--------------------------------|-----------------|
| Dimming<br>0~100% | Sunlight<br>Readable | PIP | IP65 Proof | 24V DC to<br>DC input | Anti-<br>Corrosion<br>(Option) | OSD from<br>panel | AR Safety<br>Glass<br>(option) | Touch<br>Screen |
|-------------------|----------------------|-----|------------|-----------------------|--------------------------------|-------------------|--------------------------------|-----------------|

### Features:

|                                     |  |
|-------------------------------------|--|
| <b>Hyper Dimming:</b>               | Dimming knob control backlight brightness from nearly 0% to 100%                 |
| <b>Resolution:</b>                  | High resolution 1024 x 768 panel   |
| <b>Ruggedized IP65 Proof:</b>       | Panel (flush) mount IP65 aluminum housing with powder coating design (IP54 rear) |
| <b>Wide Voltage Range Input :</b>   | 24V DC to DC power input acceptable(AC power for option)                         |
| <b>Touchscreen :</b>                | High quality touchscreen / AR protection glass for option                        |
| <b>Multiscan Function:</b>          | PIP(picture in picture) function and multi-video inputs                          |
| <b>IP65 OSD front panel Design:</b> | Ease of use front panel OSD control  |
| <b>Anti-shock and Vibration:</b>    | Enhanced shock and vibration resistance  |

### TFT Characteristics

|                     |                        |
|---------------------|------------------------|
| Pixel Number        | 1024x768               |
| Pixel Pitch(R&B)    | 0.297 (H) x 0.297 (V)  |
| Contrast Ratio      | 350:1 (typ.)           |
| Light Intensity     | 400 (typ.)             |
| Viewable Angle      | -85~85 (H); -80~70 (V) |
| Active Display Area | 304.1 (H) x 228.1 (V)  |
| Max Colors          | 16.7M (8bits/color)    |

### Certification and Approvals

|               |                                   |
|---------------|-----------------------------------|
| Certification | IEC 60945, DNV 2.4, IACE-E10      |
| Approvals     | DNV Type Approval, CE, FCC ClassB |

### Input Signals

|                              |                             |
|------------------------------|-----------------------------|
| RGB Signal                   | D-SUB 15P connector(female) |
| Composite Video              | RCA phono plug              |
| S-Video Signal               | S-Video (SVHS) plug         |
| DVI-D Signal                 | DVI-D input 24pin connector |
| DC Power Signal              | Screw terminal block        |
| AC Power Signal (Optional)   | Std IEC Inlet               |
| Touch Screen (Optional)      | D-SUB 9P connector (female) |
| Remote via RS-232 (Optional) | D-SUB 9P connector (female) |

### User Controls

|                                |
|--------------------------------|
| Power On/Off via front button  |
| VR Brightness Knob Control     |
| On Screen Display control(OSD) |
| OSD Remote Control via RS-232  |
| Power Mode Status LED          |

### Power Specification

|                      |   |
|----------------------|---|
| Power Supply Options | 24 V DC to DC power supply with terminal block. 90 to 265 V AC (optional) |
| Power Consumption    | 40 W typical, normal operation  |

### Environmental Considerations

|                       |  |
|-----------------------|--|
| Operating Temperature | -10 to 55 deg.C (-20 to 60 deg.C for optional heating) |
| Humidity              | 5% to 95% (non condensing)                             |
| Anti-Vibration        | 5Hz~500Hz / 1Grms/3 Axis                               |
| Anti-Shock            | 15G, 11ms duration                                     |

### Available Options

|                        |  |
|------------------------|--|
| Mechanical Options     | Panel (Flush) mount with IP65 (SAW touch for IP54) |
| Touch Screen Options   | SAW, 5 Wire Resistive                              |
| AR Safety Glass Option | 3mm Anti-reflective protection glass               |
|                        | Yes  |



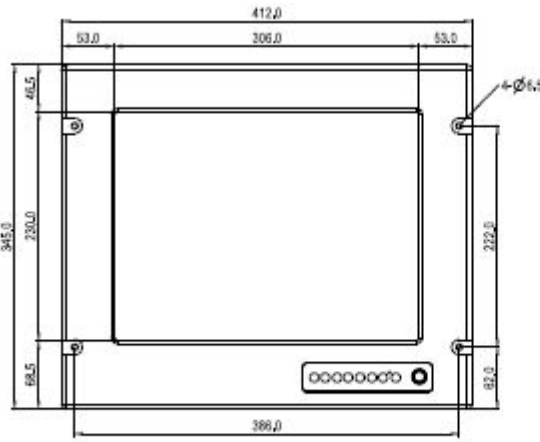
i-Tech Company LLC

TOLL FREE: (888) 483-2418 • EMAIL: [info@i-techcompany.com](mailto:info@i-techcompany.com) • WEB: [www.i-techcompany.com](http://www.i-techcompany.com)

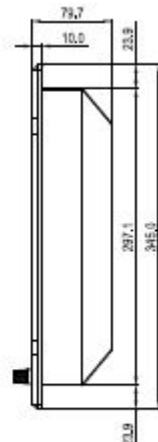


# Model: WPM-MAR-1500M2

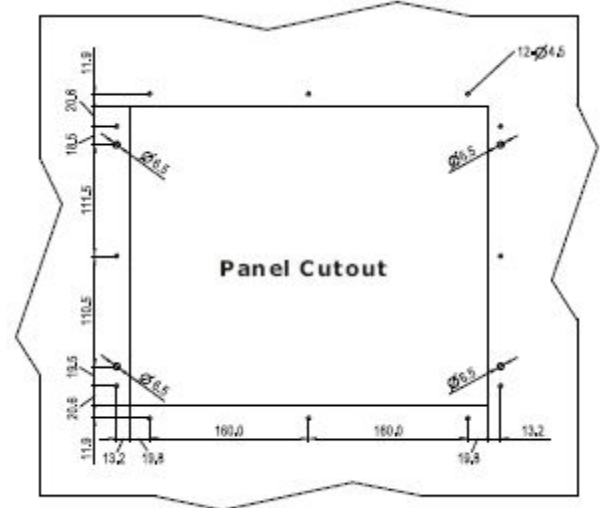
## 15" Rugged Transflective SunLight Readable Marine LCD



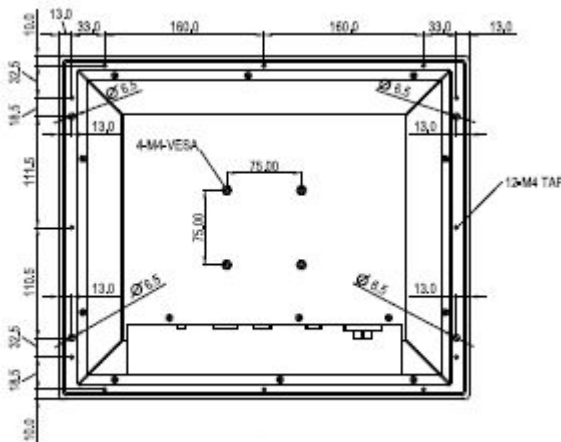
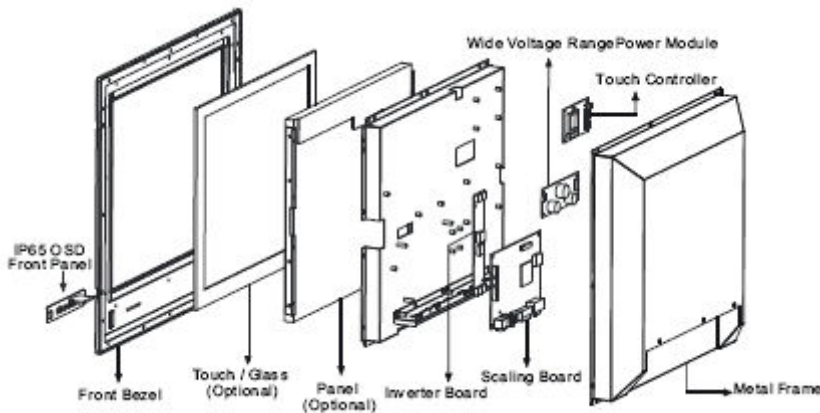
Front View



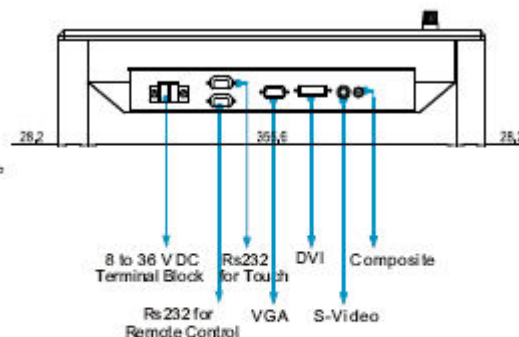
Side View



All Dimensions are  $\pm 0.5$  mm



Rear View



Bottom View