

19" Marine Bridge System Display



Model no.:
WPM-MAR1900A1



Features

- Hyper Dimming : Dimming knob control backlight brightness from nearly 0% to 100%
- Sunlight Readable : Transflective film technology enhance visibility
- Anti-Corrosion & IP Proof : IP65 aluminum housing with powder coating design (IP54 rear)
- Wide Voltage Range Input : 24 V DC to DC power input acceptable (Isolation Resistance)
- Touchscreen/ Protection Glass : High quality touchscreen / AR protection glass for option
- Multiscan Function : PIP (picture in picture) function and multi-video inputs
- IP65 OSD Front Panel Design : Ease of use front panel OSD control
- Anti-Shock and Vibration : Enhanced shock and vibration resistance

Input Signals

- RGB Signal : D-SUB 15P connector (female)
- Composite Video : RCA phono plug
- S-Video Signal : S-Video (SVHS) plug
- DVI-D Signal : DVI-D input 24pin connector
- DC Power Signal : Screw terminal block
- AC Power Signal (Optional) : Std IEC Inlet
- Touch Screen (Optional) : D-SUB 9P connector (female)
- Remote via RS-232 (Optional) : D-SUB 9P connector (female)



User Controls:

- Power On/Off via front button
- VR Brightness Knob Control
- Power Mode Status LED
- On Screen Display control (OSD)
- OSD Remote Control via RS-232

Mechanical and Environmental

- Mechanical Mounting : Panel (Flush) mount with IP65*, VESA, Bracket mounting
- Operating Temperature : -10 to 55 deg.C (-20 to 60 deg.C for optional heating)
- Operating Humidity : 5% to 95% (non condensing)
- Anti-Vibration : 5Hz~500Hz / 1Grms/3 Axis
- Anti-Shock : 15G, 11ms duration

Available Options

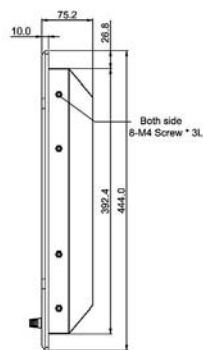
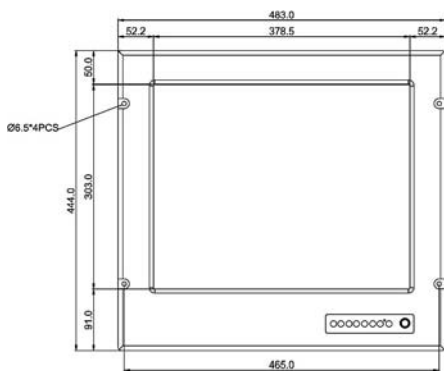
- Touch Screen Options : SAW, 5 Wire Resistive
- AR Safety Glass Option : 3mm Anti-reflective protection glass
- Transflective Options : Yes (Enhance Visibility)
- AC power Options : Yes (90 to 265 V AC power input)
- Bracket Mounting Options : Yes (One robust bracket can adjust from -10 to 30 deg.)

TFT Characteristics

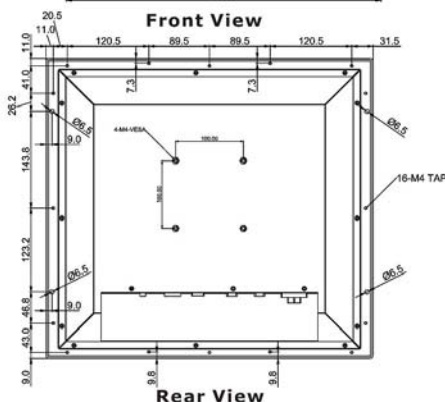
- Pixel Number : 1280 x 1024
- Pixel Pitch (R&B) : 0.294 (H) x 0.294 (V) mm
- Ratio : 1000:1 (typ.)
- Light Intensity : 400 cd/m (typ.)
- Viewable Angle : -80~80(H); -80~80(V)
- Active Display Area : 376.32 (H) x 301.06 (V) mm
- Max Colors : 16.7M (8bit/colors)

Power Specification

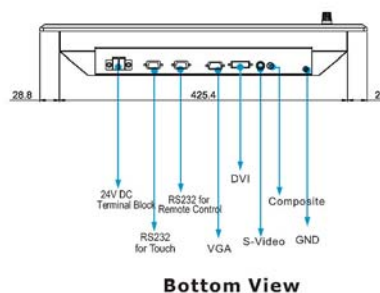
- Power Supply Options : 24 V DC power supply with Terminal block (Default, Isolation Resistance), 90 to 265V AC power supply
- Power Consumption : 45 W typical, normal operation



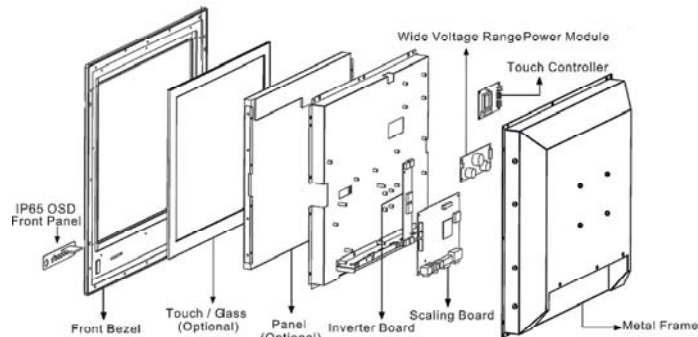
Side View



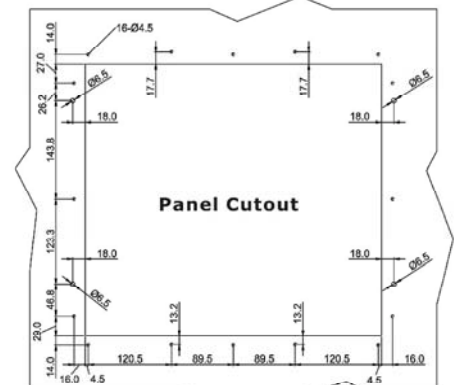
Rear View



Bottom View



Modularized Construction

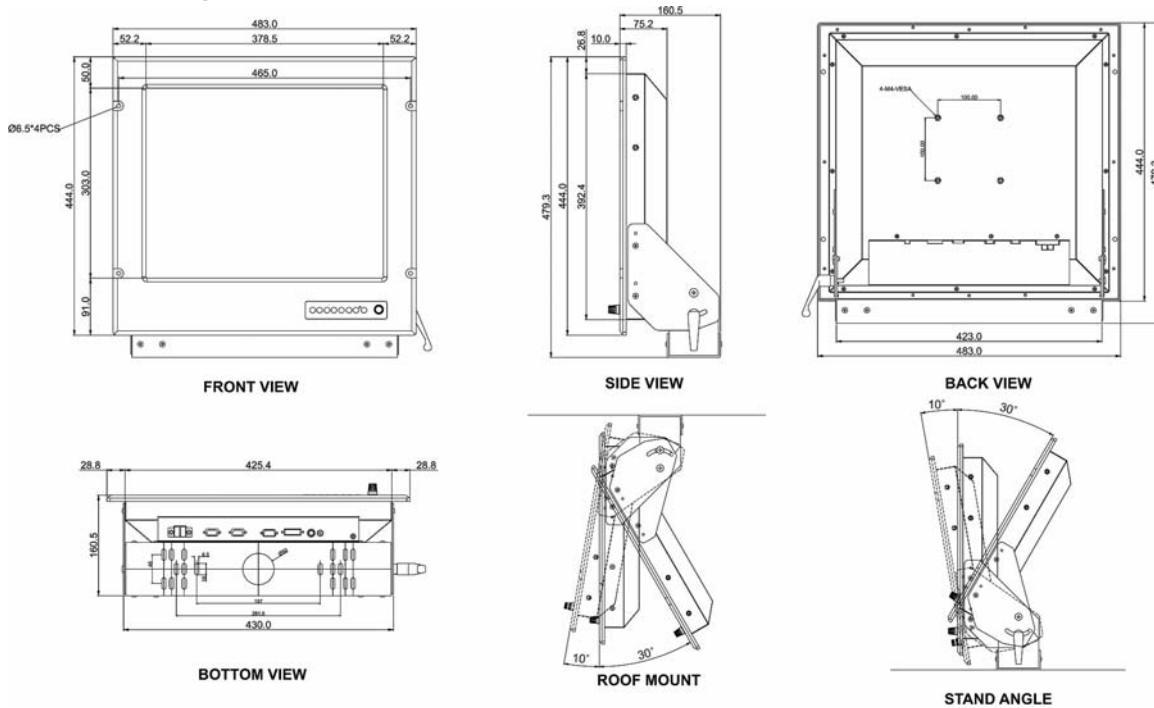


All Dimensions are ±0.5 mm

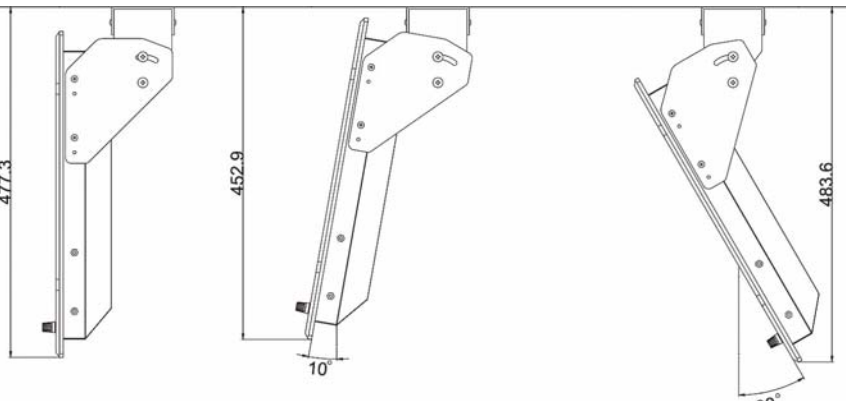
19" Marine Bridge System Display



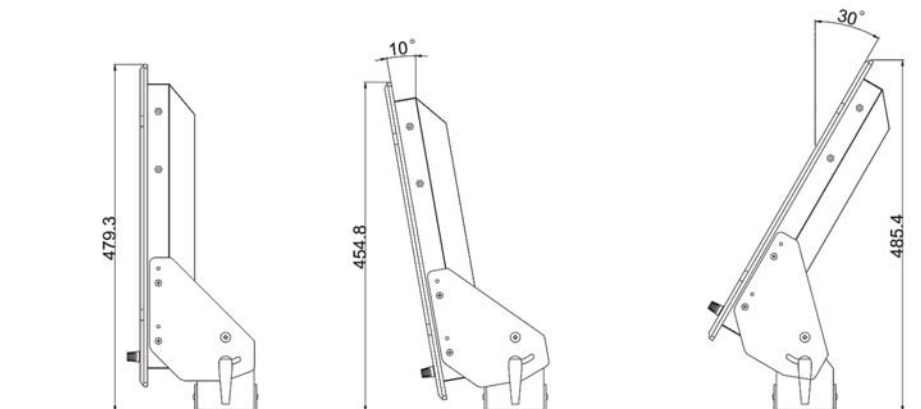
Mechanical Design with Robust Bracket (Options)



Roof Mount



Stand Angle



Certification and Approvals : IEC 60945, DVN 2.4, IACS-E10
 DNV Type Approval, CE, FCC



*Extra charge is required for back covers with bracket holes for products purchased before end of Nov. 08'



i-Tech Company LLC
 TOLL FREE: (888) 483-2418 • EMAIL: info@itechlcd.com • WEB: www.iTechLCD.com