

Ruggedized LCD Display IP65

10.4" Rugged Full IP65 Dust/water resistant Protection (Except I/O parts) Anti-Shock and Vibration, Wide Range Operating Temperature, VESA or Desktop Mount, 9-36V DC, VGA input 800x600, 600 nits Resistive touch with AR function ; Optical bonding ; M12 connector in only VGA and 9-36V DC

(Model: WRD1040P1)

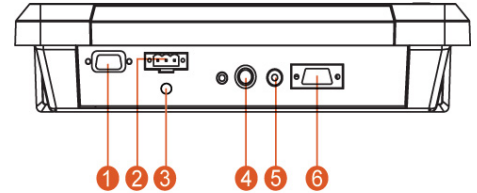


Product Features:

- High Quality 10.4" SVGA Panel, 800x600 resolution
- 5 wire / 4 wire resistive touch screen
- -25 ~ +55°C Wide Range Operating Temperature
- Anti-Corrosion housing with Fanless Design
- IP65 Dust & Waterproof Protection (Except I/O ports)
- 9V ~ 36V DC Isolation Wide Range Power Input
- Compliance With EN50155



I/O View:

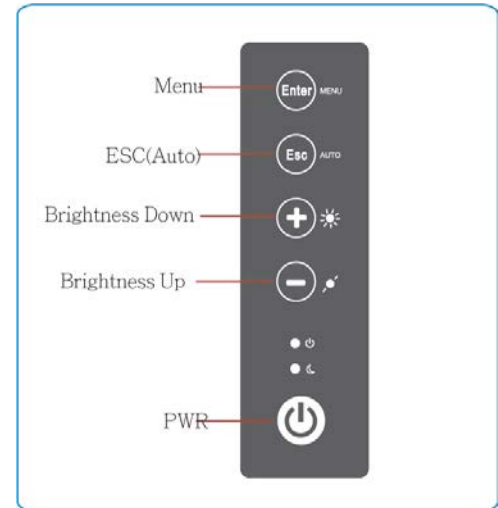


1. RS232 for Touch (Optional)
2. 9-36V DC Terminal Block (Default)
3. DC Lockable Input (Optional)
4. S-Video (Optional)
5. Composite (Optional)
6. VGA

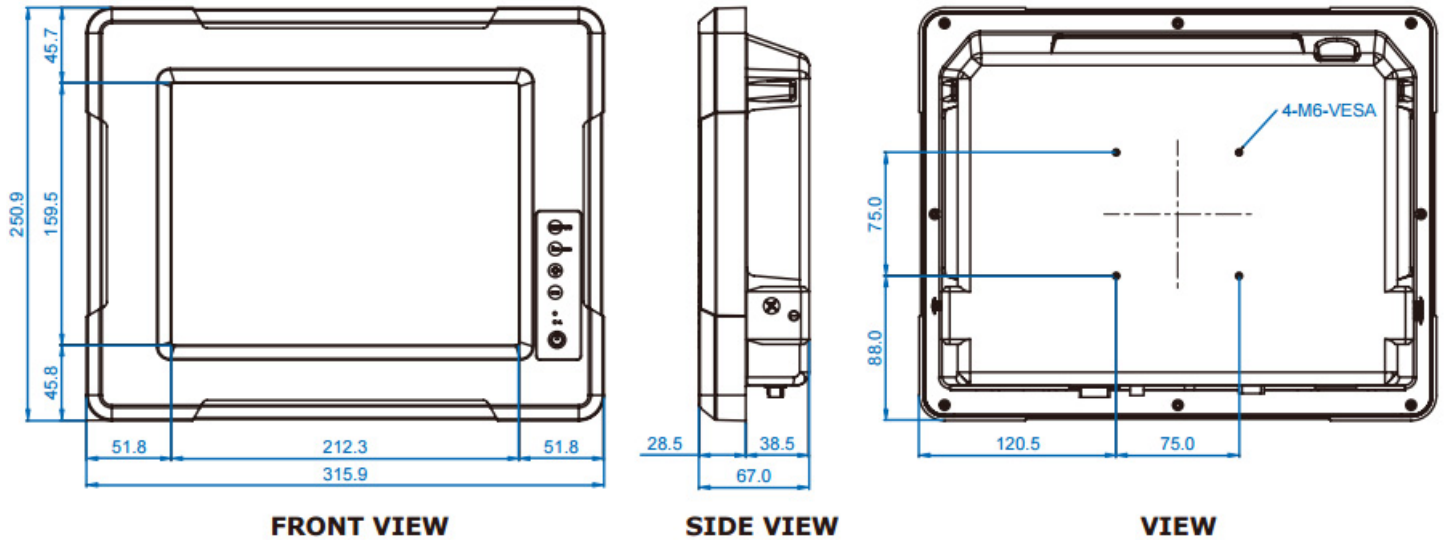
Product Specifications:

Display	Model Name	WRD1040P1
	Size	10.4"
	Resolution (pixels)	800x600
	Number of Colors	262,144 (6bits/color)
	Brightness (cd/m ²)	600nits
	Contrast Ratio	400:1 (typ.)
	Viewing Angle	-70~70 (H) ; -70~60 (V)
	Touch (optional)	5 wire resistive / 4 wire resistive
Input / Output	1 x 9~36V DC Terminal Block (Default) 1 x DC Lockable Input (Optional) 1 x RS-232 or USB for Touch (Optional) 1 x S-Video (Optional) 1 x Composite (Optional) 1 x VGA	
Environment	Operating Temperature	-25~55°C
	Storage Temperature	-30 ~70°C
	Humidity	10 ~ 95% non-condensing
	Shock	Compliance with MIL810F/EN50155
	Vibration	Compliance with MIL810F/EN50155
	EMC	CE, FCC ClassB
	Safety	Compliance with EN50155, MIL-STD 810F
Mechanical	Dimension(W x H x D)	315.9 x 250.9 x 67mm
Packing List	R5W AD Board User's Manual Touch's Driver CD	
Product Optional Items	Mounting Bracket and Kits	One robust bracket with locking handle (can adjust from -5deg. to 90deg.)
	Video Input	Composite Video, S-Video for optional
	Anti-reflective Glass	3mm (Replace touch)

Front OSD Control Function:



Mechanical Drawing:



Drawing w / Mounting Bracket:

