

Ruggedized LCD Display IP65

10.4" Rugged Full IP65 Dust/water resistant Protection (Except I/O parts) Anti-Shock and Vibration, Wide Range Operating Temperature, VESA or Desktop Mount, 9-36V DC, VGA input 640X480, 450 nits Resistive touch with AR function ; Optical bonding ; M12 connector in only VGA and 9-36V DC

(Model: WRD1040P3)

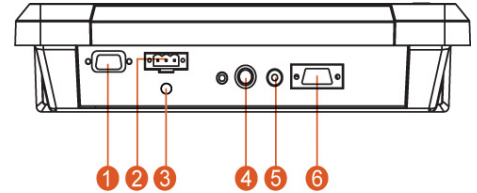


Product Features:

- High Quality 10.4" panel, 640 x 480 resolution, 450 nits
- 5 Wire resistive touch screen / IR Touch
- -25 ~ +55°C Wide Range Operating Temperature
- Anti-Corrosion housing with Fanless Design
- IP65 Dust & Waterproof Protection (Except I/O ports)
- 9V ~ 36V DC Isolation Wide Range Power Input
- Compliance With EN50155



I/O View:

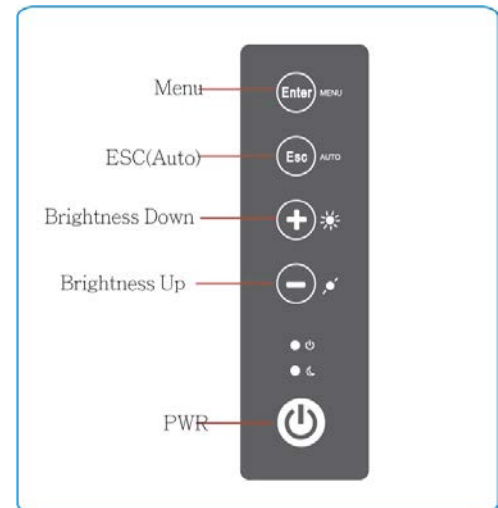


1. RS232 for Touch (Optional)
2. 9-36V DC Terminal Block (Default)
3. DC Lockable Input (Optional)
4. S-Video (Optional)
5. Composite (Optional)
6. VGA

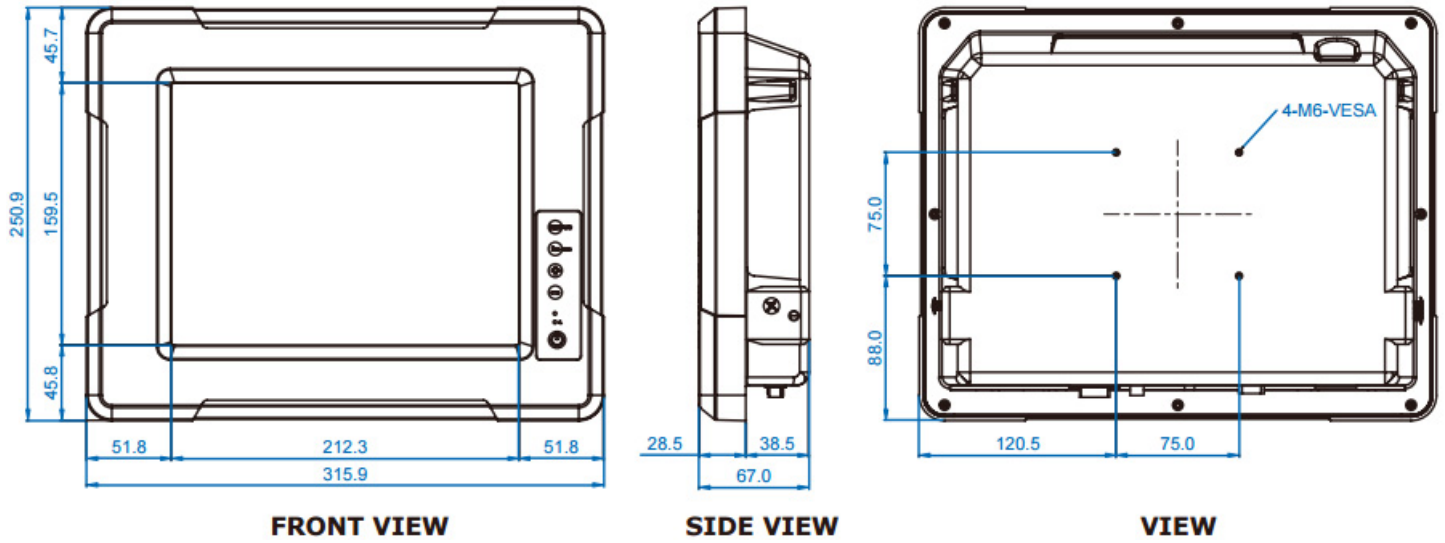
Product Specifications:

Display	Model Name	WRD1040P3
	Size	10.4"
	Resolution (pixels)	640X480
	Number of Colors	16.2M (8bits/color)
	Brightness (cd/m ²)	450nits (typ.)
	Contrast Ratio	700:1 (typ.)
	Viewing Angle	-80~80 (H) ; -60~80 (V)
Input / Output	Touch (optional)	5 wire resistive / IR Touch
	1 x 9~36V DC Terminal Block (Default)	
	1 x DC Lockable Input (Optional)	
	1 x RS-232 for Touch (Optional)	
	1 x S-Video (Optional)	
Environment	1 x Composite (Optional)	
	1 x VGA	
	Operating Temperature	-25~55°C
	Storage Temperature	-30 ~70°C
	Humidity	10 ~ 95% non-condensing
	Shock	Compliance with MIL810F/EN50155
	Vibration	Compliance with MIL810F/EN50155
Mechanical	EMC	CE, FCC ClassB
	Reliability	Need to apply 9~36V DC isolation power design
Mechanical	Dimension(W x H x D)	315.9 x 250.9 x 67mm
Packing List	R5W AD Board User's Manual Touch's Driver CD	
Product Optional Items	Mounting Bracket and Kits	One robust bracket with locking handle (can adjust from -5deg. to 90deg.)
	Video Input	Composite Video, S-Video for optional
	Anti-reflective Glass	3mm (Replace touch)

Front OSD Control Function:



Mechanical Drawing:



Drawing w / Mounting Bracket:

