

FLAT TOUCH PANEL MOUNT PANEL PC

19" Flat Touch Panel Mount Panel PC, Full IP67, 400 nits, 1280 x 1024 with Intel Core i5-7200U Kaby Lake 2.5GHz (turbo to 3.1GHz) and Projected Capacitive Touch

Model: WRD1900-i5-PCAP



FEATURES:

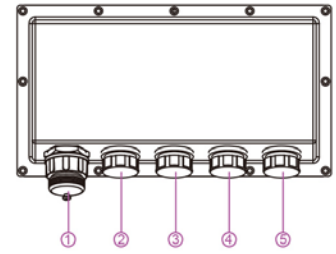
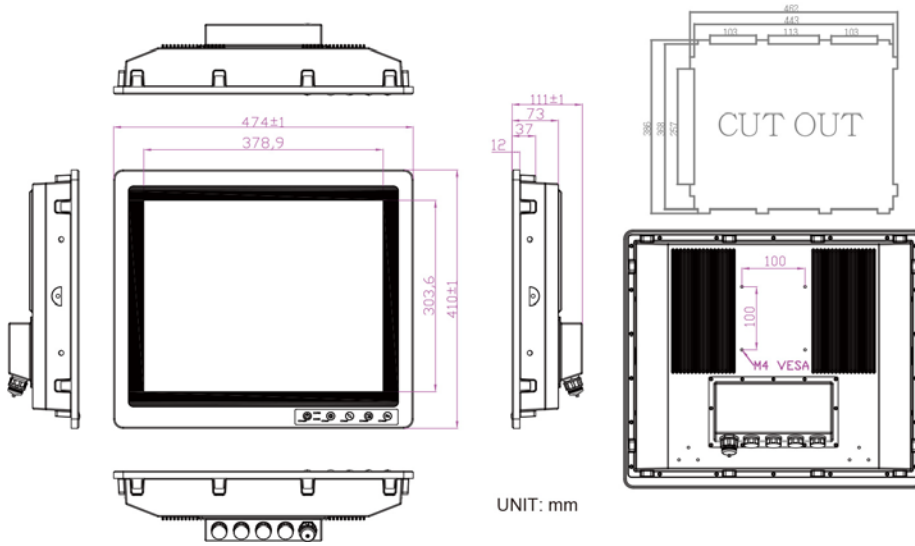
- Totally sealed IP67 Design
- Intel Core i5-7200U Kaby Lake 2.5GHz (turbo to 3.1GHz)
- 19-inch 400 nits LCD panel (optional 1000 nits)
- -10 to 60°C operating temperature
- Fanless, streamlined enclosure for highly efficient heat dissipation
- Touch screen control button to enable/disable touch screen interface
- Rugged Front Anti-Impact Design
- Front control membrane keys lockable by software

SPECIFICATIONS:

DISPLAY SPECIFICATION	
Size	19"
Resolution	1280 x 1024
Contrast Ratio	1000 : 1 (typ.)
Panel Brightness	400 nits
Display Color	16.7M
Viewing Angle	-85~85(H);-80~80(V)
Touch	Projected Capacitive Touch
SYSTEM SPECIFICATION	
Processor	Intel® Core i5-7200U Kaby Lake 2.5GHz (turbo to 3.1GHz)
BIOS	Insyde BIOS
Chipset	Intel® SoC Integrated
Memory	4GB DDR4-2133 SO-DIMM (Max 16GB)
Graphic Chipset	Intel® HD Graphics 620
Storage	64GB M.2 B Key SATA III SSD (Options up to 512GB)
Second Storage	Optional 2nd Storage 2.5" SATA III 64GB to 512GB
OS	Windows 10 IoT Enterprise
I/O CONNECTORS	
Back Panel	1 x IP67 USB 2.0 A Type with cover 1 x IP67 LAN with RJ45 Connector 1 x IP67 USB 2.0 Connector 1 x IP67 RS232/422/485 1 x IP67 9~36V DC
CERTIFICATIONS	
CE FCC Shock Vibration	Compliant with MIL-STD-810G Method 516.6 Compliant with MIL-STD-810G Method 514.6

MECHANICAL AND ENVIRONMENT	
Dimensions (W x L x H)	474mm x 410mm x 111mm
Power Input	9~36V DC input (isolation)
Operating Temperature	-10 deg.C to 60 deg.C (optional built-in intelligent heater to avoid moisture)
Operating Humidity	5 to 95%
Certifications	CE, FCC
Cooling System	Fanless design
OPERATING SYSTEM OPTIONAL	
OS	Windows Embedded Standard 7 Windows 7 PRO for Embedded System Windows Embedded 8 Standard Windows Embedded 8.1 Industrial
POWER	
Power Input	9~36V DC input (isolation)
ACCESSORIES	
1 x Driver & Manual CD 5 x IP67 External Cables (USB / LAN / COM / Power/USB A-type)	

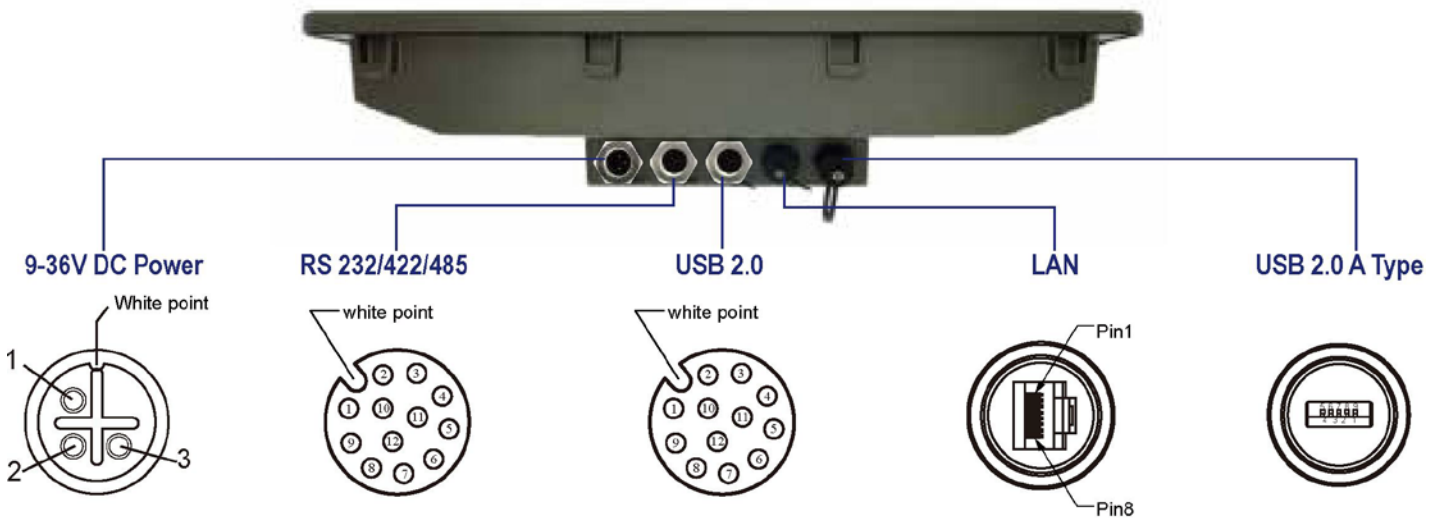
MECHANICAL DRAWINGS:



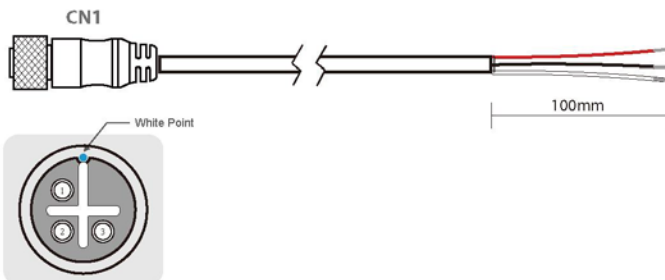
1. 1 x IP67 USB 2.0 A Type with cover
2. 1 x IP67 LAN with RJ45 Connector
3. 1 x IP67 USB 2.0 Connector
4. 1 x IP67 RS232/422/485
5. 1 x IP67 9~36V DC

* Note: this is a simplified drawing and some components are not marked in detail. Please contact our sales representative if you need further product information.

I/O LAYOUT



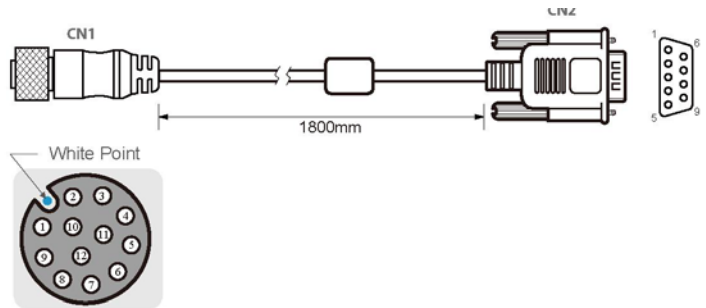
9-36V DC Power (Standard Cable)



Pin No.	Symbols	Color
CN1-1	VCC+	Red
CN1-2	GND	Black
CN1-3	VCC-	White

Pin No.	Symbols	Color
CN2-1	VCC+	Red
CN2-2	GND	Black
CN2-3	VCC-	White

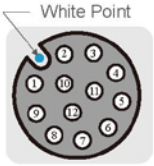
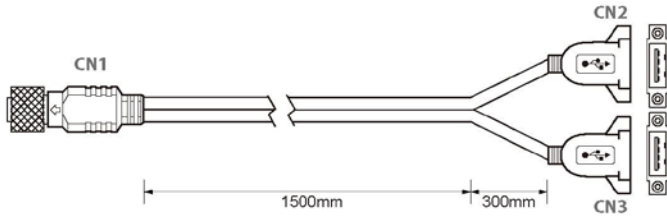
RS 232/422/485 (Standard Cable)



Pin No.	Symbols	Color
CN1-1	DCD-CON2	Green
CN1-6	DSR-CON2	Brown
CN1-2	RXD-CON2	Red
CN1-7	RTS-CON2	Orange
CN1-3	TXD-CON2	Blue
CN1-8	CTS-CON2	White
CN1-4	DTR-CON2	Purple
CN1-9	RI-CON2	Yellow
CN1-5	GND-CON2	Black

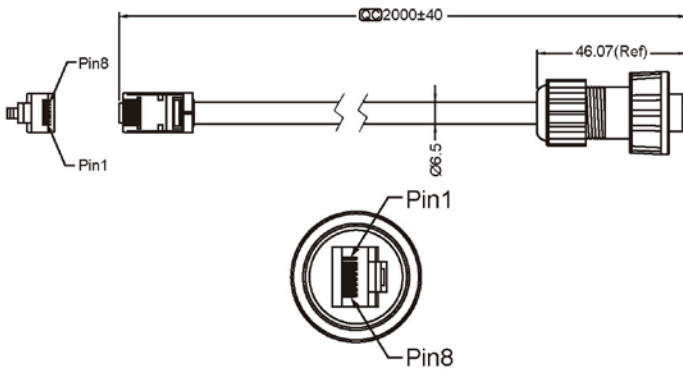
Pin No.	Symbols	Color
CN2-1	DCD-CON2	Green
CN2-2	DSR-CON2	Brown
CN2-3	RXD-CON2	Red
CN2-4	RTS-CON2	Orange
CN2-5	TXD-CON2	Blue
CN2-6	CTS-CON2	White
CN2-7	DTR-CON2	Purple
CN2-8	RI-CON2	Yellow
CN2-9	GND-CON2	Black

USB 2.0 (Standard Cable)



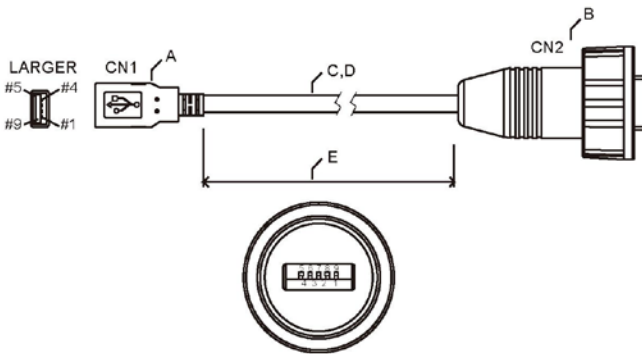
Pin No.	Symbols	Color		Pin No.	Symbols	Color	
CN1-2	VCC	RED	↔	CN2-1	VCC	RED	twisted pair
CN1-3	D-	WHITE	↔	CN2-2	D-	WHITE	
CN1-4	D+	GREEN	↔	CN2-3	D+	GREEN	
CN1-5	GND	BLACK	↔	CN2-4	GND	BLACK	
CN1-6	VCC	RED	↔	CN3-1	VCC	RED	twisted pair
CN1-7	D-	WHITE	↔	CN3-2	D-	WHITE	
CN1-8	D+	GREEN	↔	CN3-3	D+	GREEN	
CN1-9	GND	BLACK	↔	CN3-4	GND	BLACK	
CN1-1	GND	Braid	↔	Braid connect to the housing			

LAN (Standard Cable)



Plug	Wire Color	Conn.	
1	Orange / White	1	Twist
2	Orange	2	
3	Green / White	3	Twist
4	Blue	4	
5	Blue / White	5	Twist
6	Green	6	
7	Brown / White	7	Twist
8	Brown	8	

USB 2.0 A Type (Standard Cable)



Plug	Wire Color	Conn.	
Red	28AWG	1	Twist
White	28AWG	2	
Green	28AWG	3	Twist
Black	28AWG	4	
Drain	28AWG	5	Twist
Blue	28AWG	6	
Yellow	28AWG	7	Twist
Drain	28AWG	8	
Purple	28AWG	9	
Orange	28AWG		