

# Rugged Panel PC Vehicle Mount

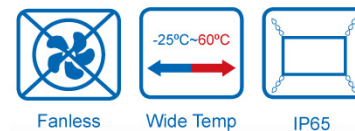
Core 2 Duo Rugged 8.4", 800 x 600, 8500nits, 945GME  
 Celeron M 1.06GHz CPU 2GB RAM 8GB CF Card  
 Vehicle Mount Computer with Full NEMA4  
 Dust/water resistant Protection(Except I/O parts)  
 Anti-Shock and Vibration LCD



Model: WRDC0840HBT1C2D

## Features:

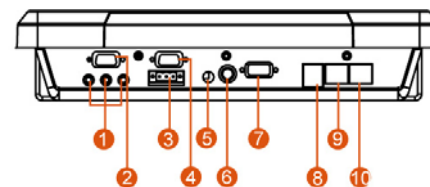
Ultra Low Power Core2 Duo 1.06GHz / Core2 Duo ULV 1.2GHz / Celeron M 1.2/1.06GHz Processor  
 4 Wire / 5 Wire resistive touch screen  
 -25 ~ +60°C Wide Range Operating Temperature  
 Anti-Corrosion housing with Fanless Design  
 9V ~ 36V DC Isolation Wide Range Power Input  
 Anti-Shock & Vibration compliant with MIL-STD 810F



## Product Specifications:

Display	
Size	8.4"
Resolution (pixels)	800 x 600
Number of Colors	16.2M ( 8bits/color )
Brightness (cd/m2)	450
Contrast Ratio	600:1
Viewing Angle	-75~75 (H) ; -75~75 (V)
Active Area	170.4 (H) x 127.8(V)
Touch (optional)	4 wire / 5 wire resistive
System	
Processor	Intel® Core2 Duo 1.06 GHz Intel® Core2 Duo ULV 1.2GHz Intel® Celeron M 1.2/1.06GHz Processor
Chipset	Intel® 945GME + ICH7M
BIOS	AMI 4Mbit Flash
Memory	1 x 200-pin DDR2 400/533 MHz SO-DIMM Max.2GB,
Ethernet	Dual PCIe GbE Realtek RTL 8111B LAN Controller
Storage	4G Compact Flash Card
Input / Output	
	1 x USB 2.0 1 x VGA 1 x RS-232 1 x RS-232/422/485 ( optional ) 1 x PS/2 1 x DC-IN Jack ( Lockable ) 1 x WLAN or 3G Antenna in top ( optional )
Environment	
Operating Temperature	25 ~60°C
Storage Temperature	30 ~70°C
Humidity	10 ~ 95% non-condensing
Shock	MIL810F/EN50155
Vibration	MIL810F/EN50155
EMC	CE, FCC ClassB, Compliance with EN50155
Safety	Compliance with EN50155, MIL-STD 810F
Driver OS Support	Windows XP embedded(Default), Windows XP, Windows 7
Mechanical	Dimension(W x H x D ) 277 x 219.5 x 59.7mm
Packing List	SBC User's Manual User's Manual SBC Manual & Driver CD
Optional Information	Wireless LAN Card 802.11 b/g or 3G module (either one) DIO board or CAN bus Card (either one)

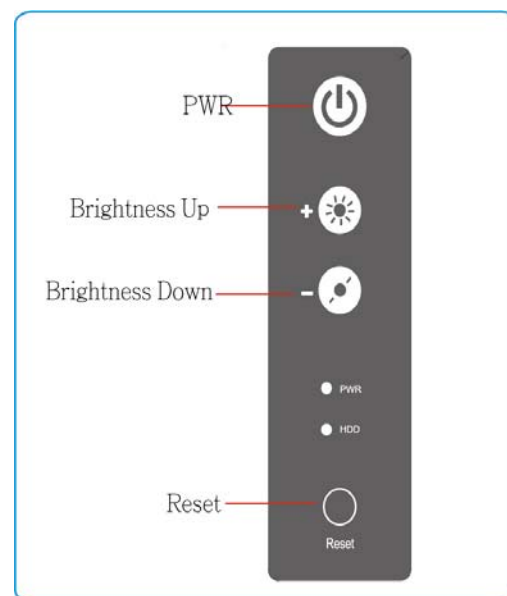
## I/O View



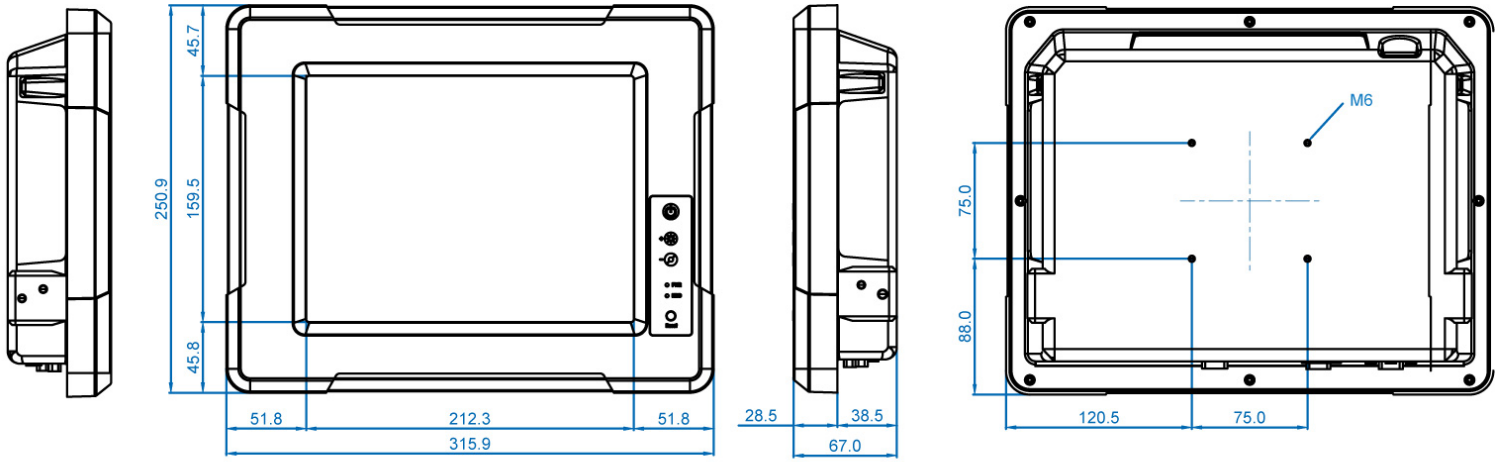
**BOTTOM VIEW**

- |                                |           |
|--------------------------------|-----------|
| 1.Line in,Line out , Micro in  | 6.PS/2    |
| 2.COM2 (optional)              | 7.VGA     |
| 3.DC Terminal Block (optional) | 8.USB 1.2 |
| 4.COM1                         | 9.LAN1    |
| 5.DC Lockable Input (Default)  | 10.LAN2   |

## Front OSD Control Function



Drawing w / mounting bracket:



**SIDE VIEW**

**FRONT VIEWS**

**SIDE VIEW**

**VIEW**