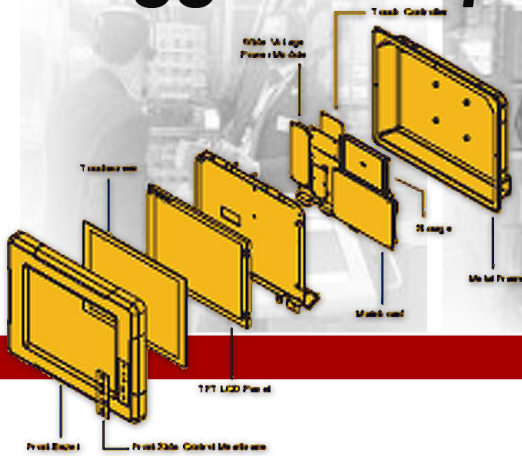


Ruggedized ruggedized panel pc



Model no.: WRDC1040M2-A



FRONT VIEW



BOTTOM VIEW

Features:

- Ultra Low Power AMD LX800 500 MHz CPU, Fanless Design
- High Quality 10.4" Panel, 800x600 resolution
- Full IP65 Dust/Water Proof Enclosures (Except I/O parts)
- Aluminum Housing with Anti-Corrosion Treatments
- Anti-Shock and Vibration Standard according to MIL810F & IEC60068-2-27
- 5 Wire Resistive / Infrared Touchscreen / Anti-Reflective Protection Glass (Optional)
- 802.11b/g Wireless LAN with Antenna (Optional)
- Wide Range 8 to 36V DC Input Acceptable (Optional)
- Transflective Sunlight Readable and Extended Temperature Range (Optional)

System Specifications:

Processor	: AMD Geode LX-800 500MHz CPU
BIOS	: Award 4Mbit Flash
System Chipset	: AMD CS5536 Companion Device
System Memory	: 1 x SODIMM, Max 1GB DDR 400
Wireless (Optional)	: 1x Mini PCI base Wireless LAN card with SMA antenna
LAN Controller	: Realtek RTL8100c Chipset, 10/100 Mbps
Storage	: 2.5" 40G HDD
Expansion Slot	: 1 x Mini PCI, 1 x CF

Mechanical and Environment

Dimensions (W x L x H)	: 315 mm x 250 mm x 67mm
Power Input	: 12V DC w/ lockable connector
Power Consumption	: 30W typ.
Operating Temperature	: AMD -10 deg.C to 55 deg.C
Operating Humidity	: 10% to 95% (non condensing)
Mounting	: VESA mount, Vehicle mount
Shock *	: Operating: 30g for 18ms, 300m/s2
Vibration *	: Operating: 1.60/1.96/2.18 g rms for XYZ / 5-500Hz
* When use SSD or Industrial Compact Flash	

Certifications

CE
FCC Class B
MIL810F/IEC60068-2-27 for Vibration /Shock

I/O Connectors

Back Panel I/O Port	: 2 x RJ-45(10/100 Mbps, Optional GigaLAN)
	: 1 x PS/2
	: 1 x VGA(DB-15)
	: 1 x DC-in Jack(Lockable)
	: 2x USB 2.0
	: 1x RS232, 1x RS232/422/485(Optional)
	: Line in, Line out, Micro in
	: WLAN antenna SMA in top (Optional)



Ruggedized

ruggedized panel pc



In Front Control

- Control Button : Power On/ Off
- I/O Port : Reset
- Brightness Up (up to 100%)
- Brightness Down (dim to 0%)
- LED indicator : Power On/ Off
- HDD Status

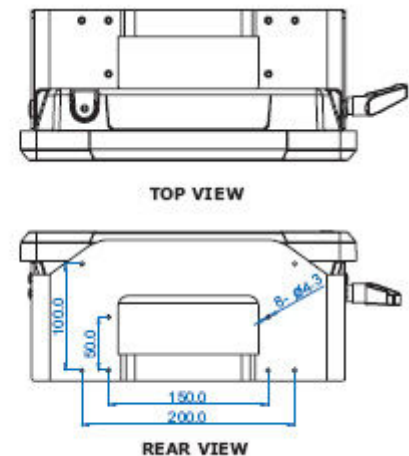
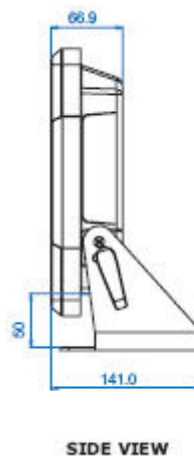
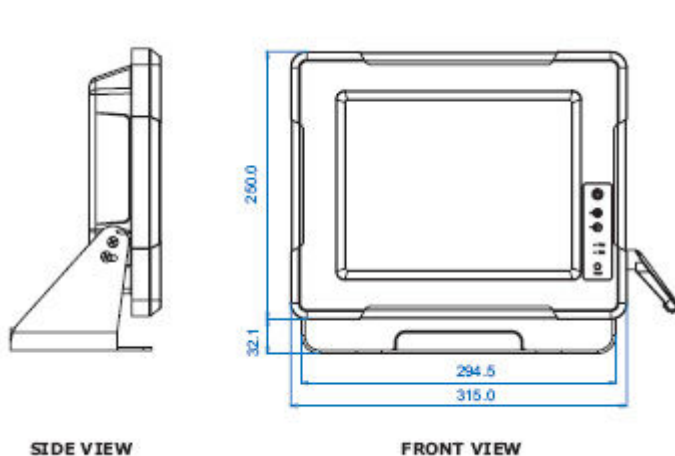
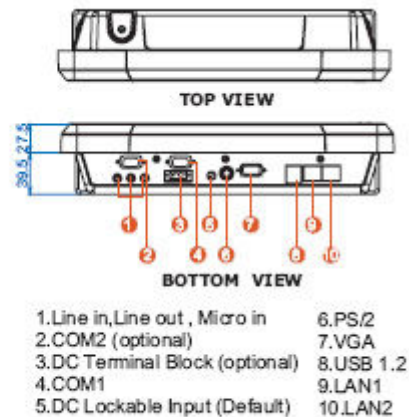
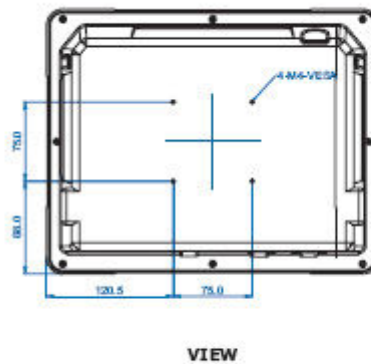
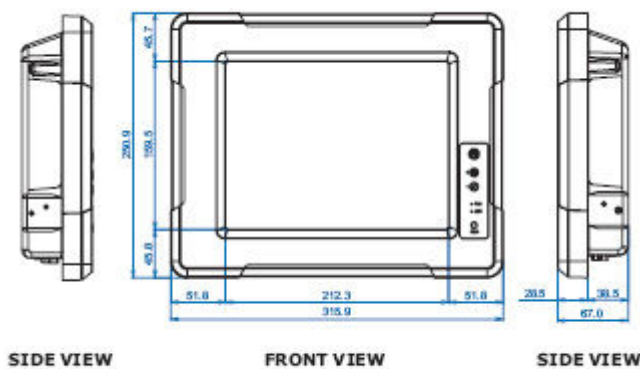
Display Specification

- Size : 10.4 inch
- Resolution : 800x600
- Brightness : 400 (cd/m)
- Touch (Optional) : 5 Wire Resistive / IR Touch

Product Optional Items

Mounting Bracket and Kits	One robust bracket with locking handle (Can adjust from -5deg. to 90deg.)
Sunlight Readable	Transflective film enhancement for optional
Wide Temperature Range	Extended temperature -20 to 60 deg. C module build-in for optional
Operation System	Windows XP embedded, Windows XP, Windows CE 5.0, Linux 2.6.11
Storage	2.5" Automobile 40G HDD, 2.5" 4G Flash Disk (SSD), 4G Industrial Compact Flash Card
Touch/ Anti-reflective Glass	Infrared Touchscreen, 3mm Anti-reflective Protection Glass
Giga LAN	Available for 10/100/1000 Mbps Giga LAN
WLAN	Mini PCI base Wireless LAN card with SMA antenna
Wide Power Input Range	8V to 36V wide range acceptable for optional
Terminal Block	Pluggable 3pin terminal block power input

Drawing w/ Mounting Bracket



Measurements shown in mm / All Dimensions are ± 0.5 mm

