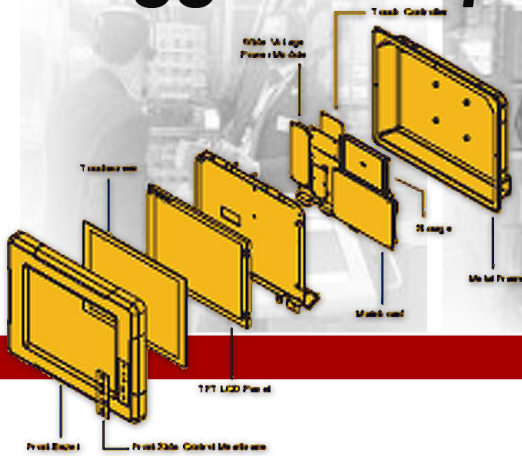


# Ruggedized ruggedized panel pc



**Model no.: WRDC1040M3-A**



**FRONT VIEW**



**BOTTOM VIEW**

## Features:

- Ultra Low Power AMD LX800 500 MHz CPU, Fanless Design
- High Quality 10.4" Panel, 800x600 resolution
- Full IP65 Dust/Water Proof Enclosures (Except I/O parts)
- Aluminum Housing with Anti-Corrosion Treatments
- Anti-Shock and Vibration Standard according to MIL810F & IEC60068-2-27
- 5 Wire Resistive / Infrared Touchscreen / Anti-Reflective Protection Glass (Optional)
- 802.11b/g Wireless LAN with Antenna (Optional)
- Wide Range 8 to 36V DC Input Acceptable (Optional)

## System Specifications:

- Processor : AMD Geode LX-800 500MHz CPU
- BIOS : Award 4Mbit Flash
- System Chipset : AMD CS5536 Companion Device
- System Memory : 1 x SODIMM, Max 1GB DDR 400
- Wireless (Optional) : 1x Mini PCI base Wireless LAN card with SMA antenna
- LAN Controller : Realtek RTL8100c Chipset, 10/100 Mbps
- Storage : 2.5" 40G HDD
- Expansion Slot : 1 x Mini PCI, 1 x CF

## Mechanical and Environment

- Dimensions (W x L x H) : 315 mm x 250 mm x 67mm
- Power Input : 12V DC w/ lockable connector
- Power Consumption : 35W typ.
- Operating Temperature : AMD -10 deg.C to 55 deg.C
- Operating Humidity : 10% to 95% (non condensing)
- Mounting : VESA mount, Vehicle mount
- Shock \* : Operating: 30g for 18ms, 300m/s2
- Vibration \* : Operating: 1.60/1.96/2.18 g rms for XYZ / 5-500Hz
- \* When use SSD or Industrial Compact Flash

## Certifications

- CE
- FCC Class B
- MIL810F/IEC60068-2-27 for Vibration /Shock

## I/O Connectors

- Back Panel : 2 x RJ-45(10/100 Mbps, Optional GigaLAN)
- I/O Port : 1 x PS/2
- 1 x VGA(DB-15)
- 1 x DC-in Jack(Lockable)
- 2 x USB 2.0
- 1x RS232, 1x RS232/422/485(Optional)
- Line in, Line out, Micro in
- WLAN antenna SMA in top (Optional)



# Ruggedized

## ruggedized panel pc



### In Front Control

- Control Butto : Power On/ Off  
 I/O Port : Reset  
                   Brightness Up (up to 100%)  
                   Brightness Down (dim to 0%)  
 LED indicator : Power On/ Off  
                   HDD Status

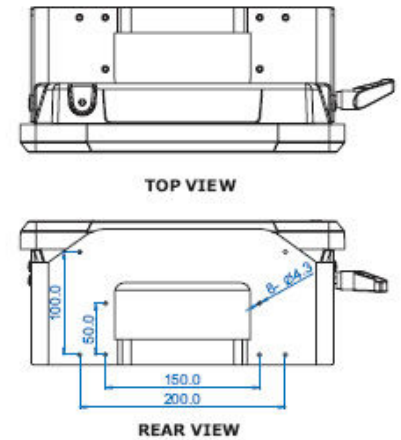
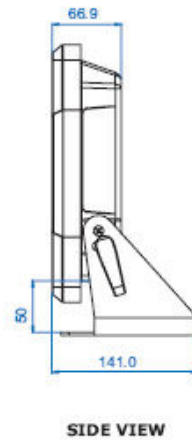
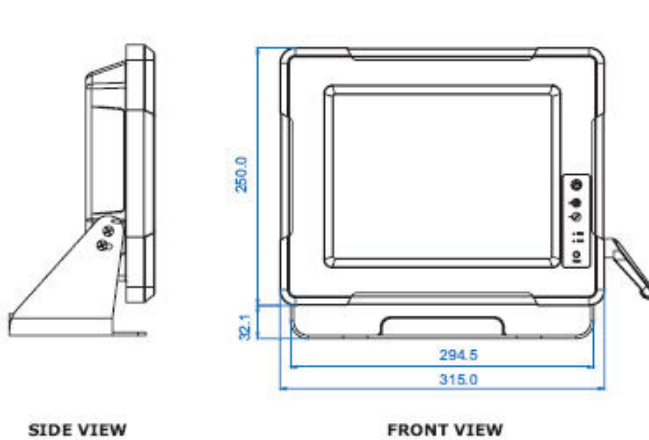
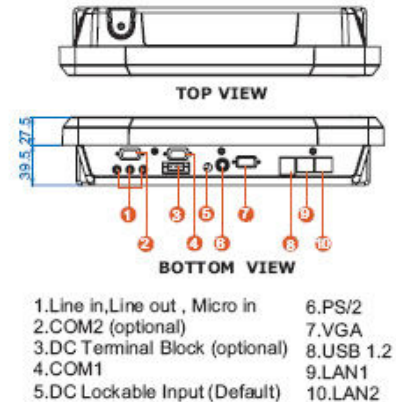
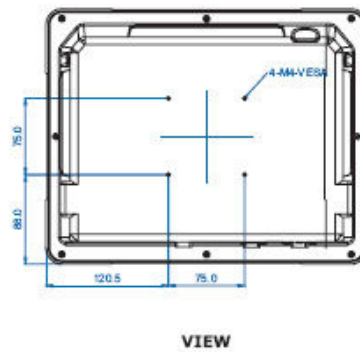
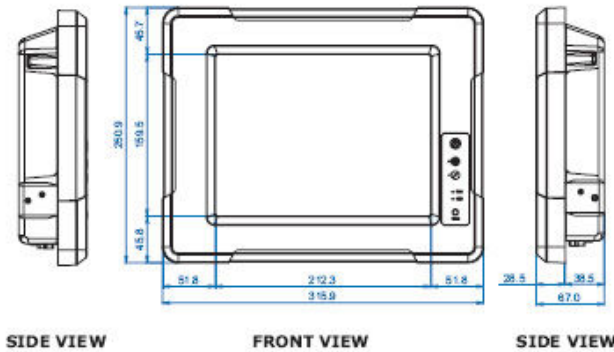
### Display Specification

- Size : 10.4 inch  
 Resolution : 800x600  
 Brightness : 350 (cd/m )  
 Touch (Optional) : 5 Wire Resistive / IR Touch

### Product Optional Items

Mounting Bracket and Kits	One robust bracket with locking handle (Can adjust from -5deg. to 90deg.)
Wide Temperature Range	NA
Operation System	Windows XP embedded, Windows XP, Windows CE 5.0, Linux 2.6.11
Storage	2.5" Automobile 40G HDD, 2.5" 4G Flash Disk (SSD), 4G Industrial Compact Flash Card
Touch/ Anti-reflective Glass	Infrared Touchscreen, 3mm Anti-reflective Protection Glass
Giga LAN	Available for 10/100/1000 Mbps Giga LAN
WLAN	Mini PCI base Wireless LAN card with SMA antenna
Wide Power Input Range	8V to 36V wide range acceptable for optional
Terminal Block	Pluggable 3pin terminal block power input

### Drawing w/ Mounting Bracket



Measurements shown in mm / All Dimensions are  $\pm 0.5$  mm

