

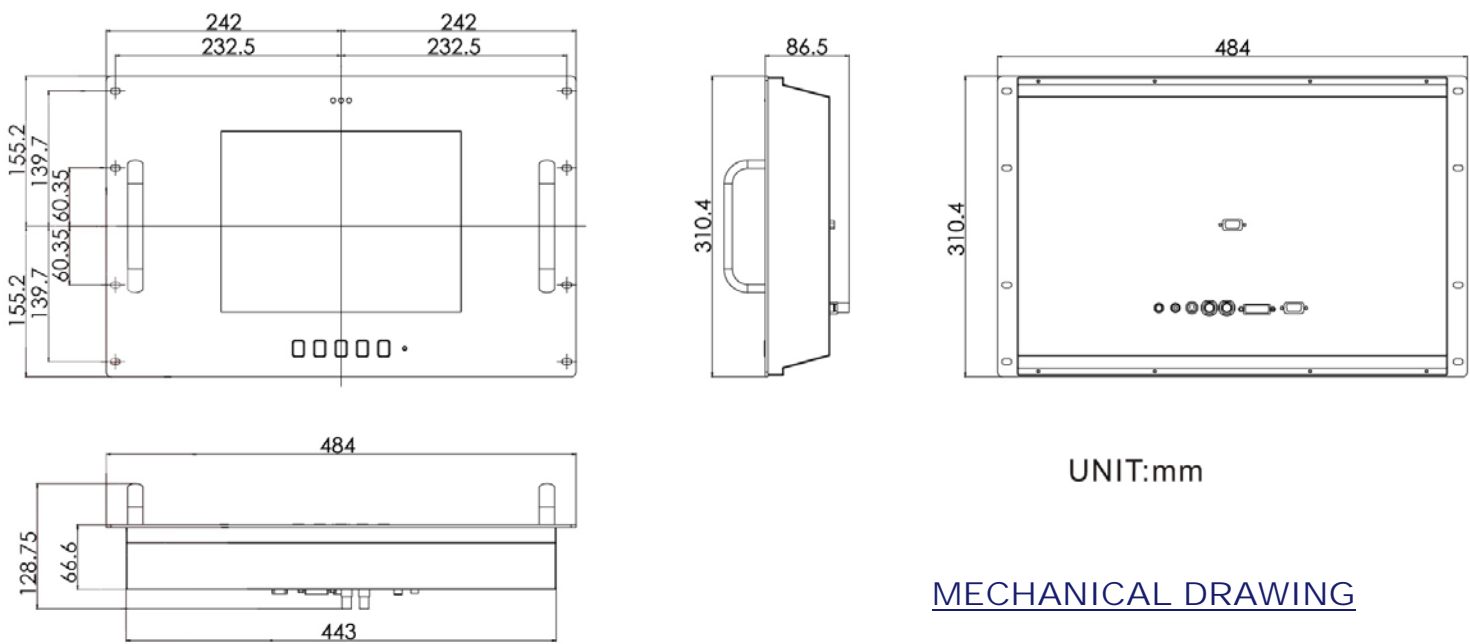


### Specifications

Panel Spec.	Model Name	WRPSD712
	Viewable Size image	12.1"
	Active Display Area (mm)	246.0 (H) x 184.5 (V)
	Pixel Pitch(mm)	0.3075 (H) x 0.3075 (V)
	Number of Pixels	800x600(SVGA)
	Contrast Ratio	200:1(typ.)
	Display Colors	262,144(6bits/Color)
	Brightness(cd/m )	300(typ.)
	Viewing Angle(CR>=10)	-60~60 (H) · -55~40 (V)
	Response Time	Tr20 ms·Tf 35 ms
I/O	SDI input	1 x via BNC Connector
	SDI Loop output	1 x via BNC Connector
	VGA input	1 x 15 pin D-sub
	DVI input	1 x DVI-D,Single-Link
	S-Video input	1 x via 4 pin Mini-DIN
	Composite input	1 x via RCA Connector
SD-SDI(Standard-Definition-SDI)		NTSC:480i /59 PAL :576i/50
HD-SDI (High-definition-SDI)		720p/50,720p/60 1080i/50,1080i/60
PC Video Modes		VGA,SVGA
Video Modes		NTSC/PAL(auto-detected)
Distance of signal transmission		SD-SDI: 300M HD-SDI: 100M
Signal Processing		8/10 bit
Tally LED		Three color Tally LED
Power input		12VDC
Scaling		1:1 / Fill / Aspect
Picture in Picture		Position/Size/Swap Setting
Picture by Picture		Side by Side split screen display



Remarks: WRPSD712 series= VGA input only  
WRPSD712AV series= VGA+ Video Input



UNIT:mm

### MECHANICAL DRAWING

