

10.4" Marine Bridge System Display

Model: WPM-MAR-1040M2



DNV

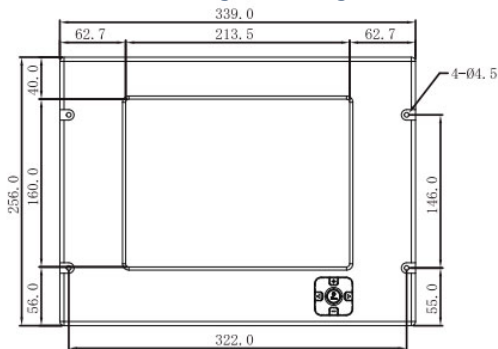
Type Approved Product



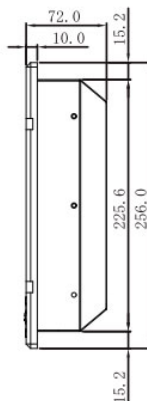
Features

- Hyper Dimming : Dimming knob control backlight brightness from nearly 0% to 100%
- Sunlight Readable : Transflective film technology enhance visibility
- Anti-Corrosion & IP Proof : IP65 aluminum housing with powder coating design (IP54 rear)
- Wide Voltage Range Input : 9 to 36V DC to DC power input acceptable (AC for power option)
- Touchscreen/ Protection Glass : High quality touchscreen / AR protection glass for option
- Multiscan Function : PIP (picture in picture) function and multi-video inputs
- IP65 OSD Front Panel Design : Ease of use front panel OSD control
- Anti-Shock and Vibration : Enhanced shock and vibration resistance

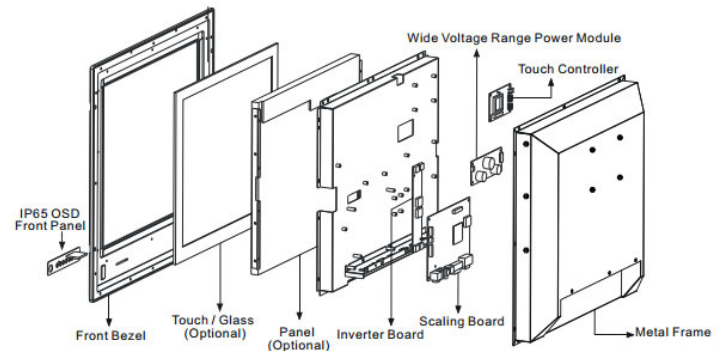
Mechanical Design Drawing



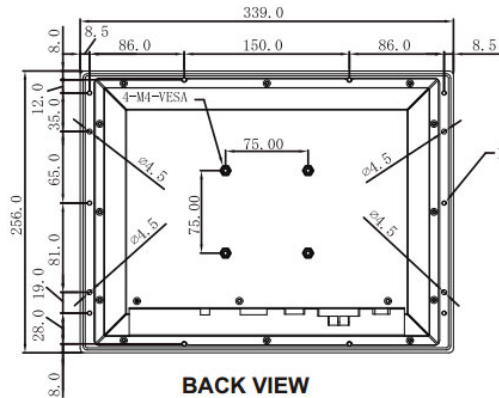
FRONT VIEW



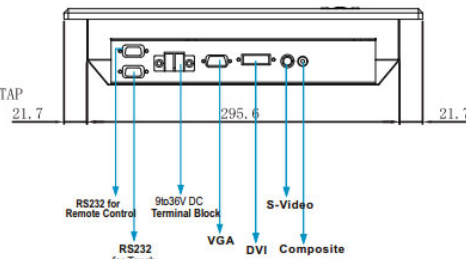
SIDE VIEW



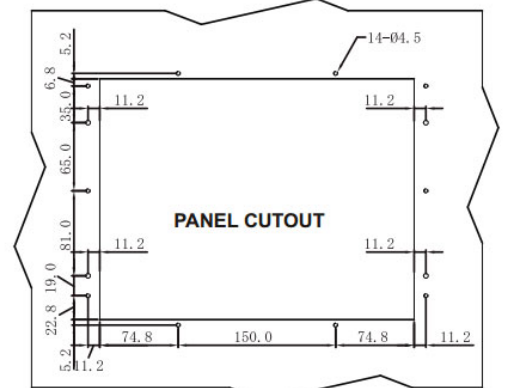
Modularized Construction



BACK VIEW



BOTTOM VIEW



All Dimensions are ±0.5 mm

User Controls:

- Power On/Off via front button,
- Power Mode Status LED
- OSD Remote Control via RS-232

TFT Characteristics

- Pixel Number : 800 x 600
- Pixel Pitch(R&B) : 0.264(H) x 0.264(V)
- Contrast Ratio : 500 : 1 (typ.)
- Light Intensity : 400 cd/m (typ.)
- Viewable Angle : -70~70(H); -60~50(V)
- Active Display Area : 211.2(H) x 158.4(V) mm
- Max Colors : 16.7M (8bit/colors)

Input Signals

- RGB Signal : D-SUB 15P connector(female)
- Composite Video : RCA phono plug
- S-Video Signal : S-Video (SVHS) plug
- DVI-D Signal : DVI-D input 24pin connector
- DC Power Signal : Screw terminal block
- AC Power Signal (Optional) : Std IEC Inlet
- Touch Screen (Optional) : D-SUB 9P connector (female)
- Remote via RS-232 (Optional) : D-SUB 9P connector (female)

Power Specification

- Power Supply Options : 24 V DC power supply with Terminal block (Default, Isolation Resistance)
- Power Consumption : 21W typical, normal operation

Mechanical and Environmental

- Mechanical Mounting : Panel (Flush) mount with IP65*, VESA, Bracket mounting
- Operating Temperature : -10 to 55 deg.C (-20 to 60 deg.C for optional heating)
- Operating Humidity : 5% to 95% (non condensing)
- Anti-Vibration : 5Hz~500Hz / 1Grms/3 Axis
- Anti-Shock : 15G, 11ms duration
- * SAW touch for IP54

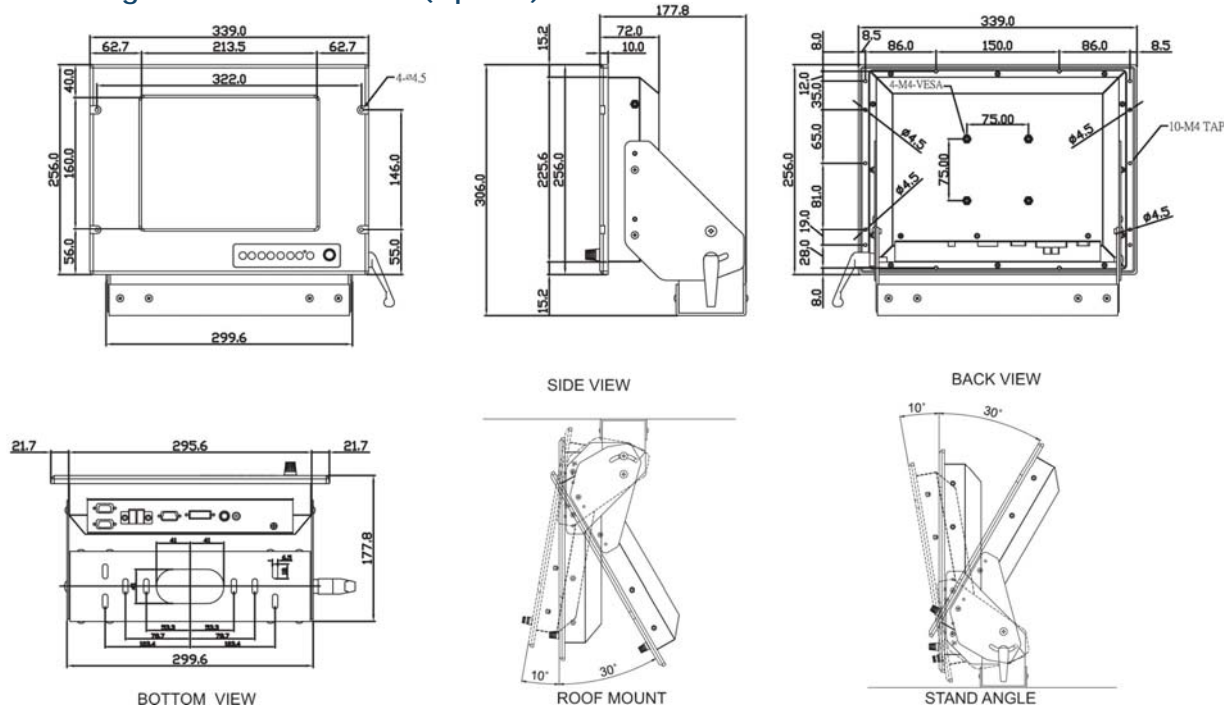
Available Options

- Touch Screen Options : SAW, 5 Wire Resistive
- AR Safety Glass Option : 3mm Anti-reflective protection glass
- Transflective Options : Yes (Enhance Visibility)
- AC power Options : Yes (90 to 265 V AC power input)
- Bracket Mounting Options : Yes (One robust bracket can adjust from -10 to 30 deg.)

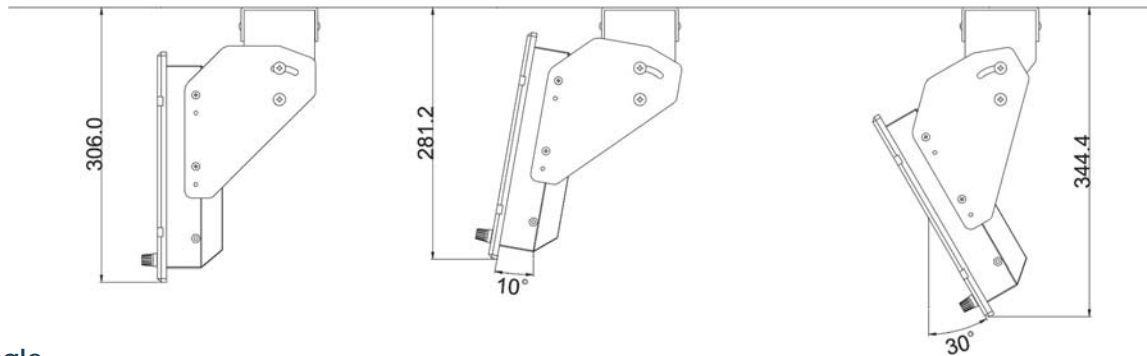
10.4" Marine Bridge System Display

Model: WPM-MAR-1040M2

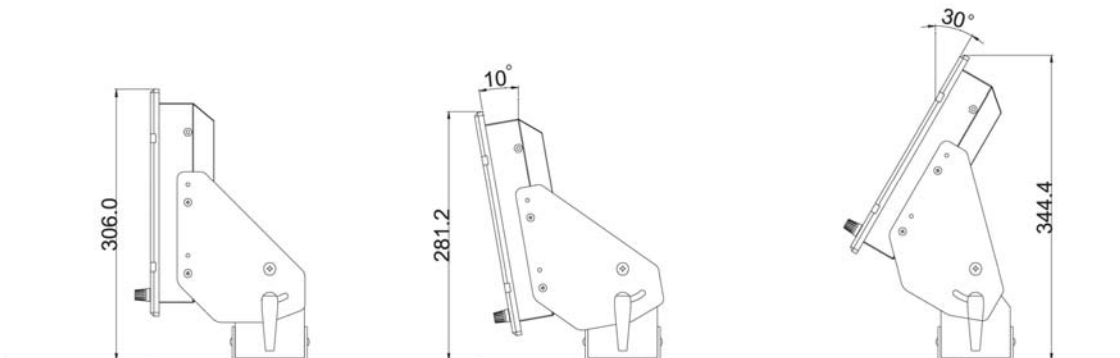
Mechanical Design with Robust Bracket (Options)



Roof Mount



Stand Angle



All Dimensions are ± 0.5 mm

* Note: this is a simplified drawing and some components are not marked in detail. Please contact our sales representative if you need further product information.

Certification and Approvals : IEC 60945, DVN 2.4, IACS-E10
DNV Type Approval, CE, FCC



* Extra charge is required for back covers with bracket holes for products purchased before end of Nov. 08'



I-Tech Company LLC
TOLL FREE: (888) 483-2418 • EMAIL: info@itechlcd.com • WEB: www.itechlcd.com