



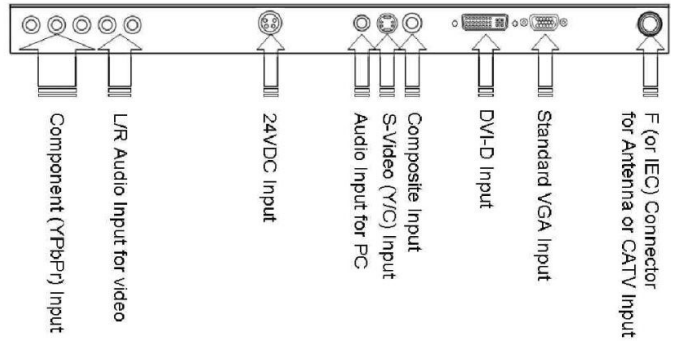
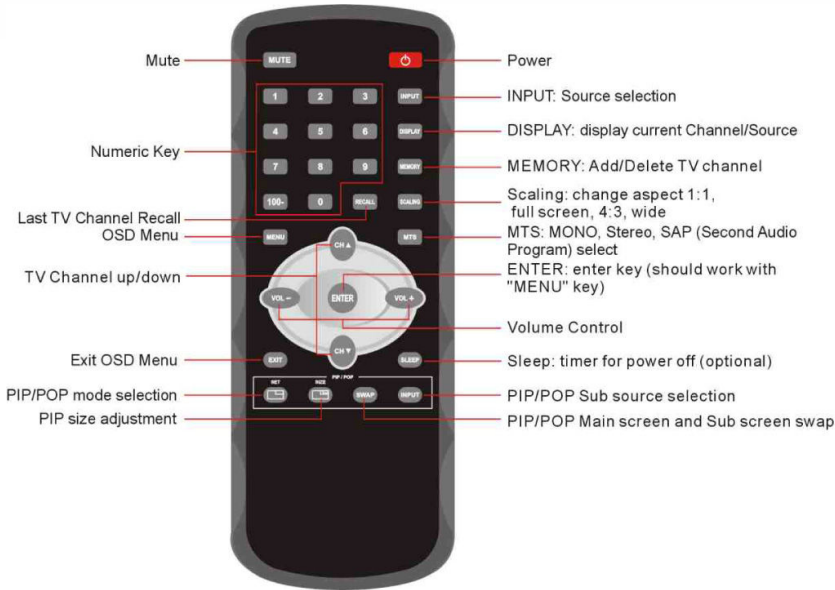
26" OPEN FRAME LCD TV

| | | |
|-----------------------------|-------------------------|--|
| Model | WOPV2600A2 | |
| Panel | Type | 26" color active matrix TFT LCD |
| | Active Display Area(mm) | 575.7(H) x323.7(V) |
| | Pixel Pitch(mm) | 0.4215(H) x 0.4215(V) |
| | Number of pixels | 1366x768 |
| | Contrast Ratio | 250:1 (typ.) |
| | Display Color | 16.7M(6bit/FRC) |
| INPUT | Brightness | 450 cd/m2 (typ.) |
| | Viewing Angles | -88° ~ 88° (H); -88° ~ 88° (V) (CR ≥ 10) |
| | Response Time | 6.5ms (Grey to Grey, typ.) |
| | TV (Analog) | 1x F (or IEC) connector for ANTENNA or CATV signal |
| | AUDIO OUT | Video |
| PC | | RGB analog 15 pin D-sub |
| RGB Frequency | | H: 31.5~80kHz, V: 60~75Hz |
| Audio | | 1x 3.5mm stereo phone jack (for PC) , 1x L/R RCA (for Video) |
| Digital | | DVI-D |
| POWER | Tuner | NTSC or PAL |
| | Speakers | 2x5Watt |
| CONTROL FUNCTIONS | Voltage | AC 100~240V, Universal, ±10% |
| | Consumption | 100 W typical, normal operation |
| OPERATING CONDITIONS | Basic | Power, Volume +/-, Channel +/-, Source, Menu |
| | TV Mode | MTS, TV/CATV, Auto Scan, Channel Memory, Channel Delete, Last Channel Recall, Timer for sleep(optional) |
| | PC Mode | Brightness, Contrast, Color Temperature, Gamma, Scaling, Auto Adjust, Phase, Clock, Position, Auto color, PIP/POP, Reset |
| | Video Mode | Brightness, Contrast, Scaling, Hue, Saturation, Sharpness, Color Temperature, PIP/POP, Reset |
| OPERATING CONDITIONS | Audio | Volume, Bass, Treble, Balance, Mute |
| | Temperature | 0-50 C |
| | Humidity | 5-90% (non-condensina) |





Control Explanation:



Mechanical Drawing:

Not Available

