



LCD TV



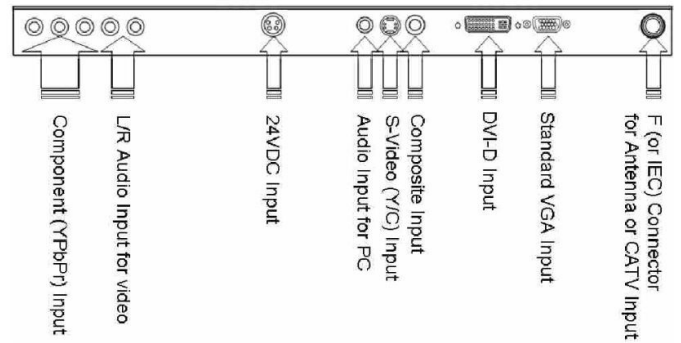
24" Panel Mount LCD TV

Model	WPMV2400S1	
Panel	Type	24" color active matrix TFT LCD
	Active Display Area(mm)	518.4(H) x328.0(V)
	Pixel Pitch(mm)	0.270(H) x 0.270(V)
	Number of pixels	1920x1200
	Contrast Ratio	1000:1 (typ.)
	Display Color	16.7M (8bit/colors)
	Brightness	400 cd/m2 (typ.)
	Viewing Angles	-89° ~ 89° (H); -89° ~ 89° (V) (CR ≥ 10)
	Response Time	8ms (Grey to Grey, typ.)
INPUT	TV (Analog)	1x F (or IEC) connector for ANTENNA or CATV signal
	Video	1x Composite (RCA) 1x S-video (4 pin Mini-DIN) 1 x Component (YPbPr)
	PC	RGB analog 15 pin D-sub
	RGB Frequency	H: 31.5~80kHz, V: 60~75Hz
	Audio	1x 3.5mm stereo phone jack (for PC) , 1x L/R RCA (for Video)
	Digital	DVI-D
AUDIO OUT	Tuner	NTSC or PAL
	Speakers	2x5Watt
POWER	Voltage	AC 100~240V, Universal, ±10%
CONTROL FUNCTIONS	Consumption	106 W typical, normal operation
	Basic	Power, Volume +/-, Channel +/-, Source, Menu
	TV Mode	MTS, TV/CATV, Auto Scan, Channel Memory, Channel Delete, Last Channel Recall, Timer for sleep(optional)
	PC Mode	Brightness, Contrast, Color Temperature, Gamma, Scaling, Auto Adjust, Phase, Clock, Position, Auto color, PIP/POP, Reset
	Video Mode	Brightness, Contrast, Scaling, Hue, Saturation, Sharpness, Color Temperature, PIP/POP, Reset
	Audio	Volume, Bass, Treble, Balance, Mute
OPERATING CONDITIONS	Temperature	0-50 C
	Humidity	5-90% (non-condensina)

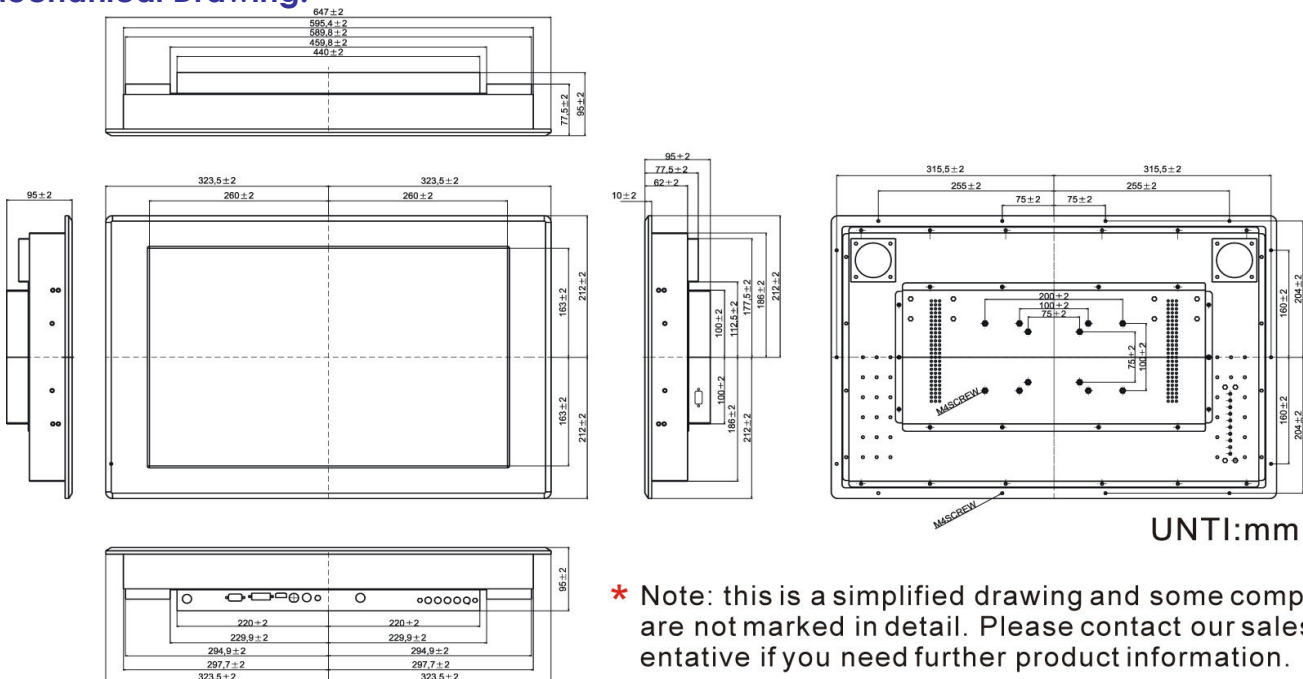




Control Explanation:



Mechanical Drawing:



* Note: this is a simplified drawing and some components are not marked in detail. Please contact our sales representative if you need further product information.

