



Web camera

: USB2.0 2.0M module

TV tuner

(NTSC/PAL/SECAM)

Wireless LAN

802.11 a/b/g/n solution

Features:

- 17" high performance medical grade panel PC
- Medical certification compliance (EN60601-1 / UL60601-1)
- Anti-bacteria coating
- High Performance Intel Core 2 Quad/Duo Mobile Processor
- Supports PCI-Ex16 or PCI 2.2 expansion
- HDD Anti-vibration & low noise smart fan design
- IP65(IP65 at front panel) / IPX1 whole system compliance
- 2MWebCAM (Optional)
- Supports 802.11 a/b/g/n Wireless Solution with two internal antenna (Optional)
- Intel LAN Chip Supports iAMT

WMPC-1703

17" Intel Core 2 Quad/Duo High Performance Medical Panel PC

System	
CPU	IntelR Core™ 2 Quad Q9100 2.26G IntelR Core 2 Duo T9400 2.53G IntelR Core 2 Duo P8400 2.26G
FSB	667/800/1066 MHZ
Chipset	IntelR GM45+ICH9EM
BIOS	BIOS, ACPI supported phoemix
VGA	IntelR GM45 integrated 4500MHD
DVI	One DVI29 pin output
Audio	RealtekALC286 Audio Codec, 2+2 watts power amplifier
LAN	Gigabit Ethernet x 1 intel, 82567
Memory	Two Dual Channel DDR3 SODIMM socket supports up to 4GB
I/O	ICH9EM
Serial ATA	Port x 1 with 300 MB/s transfer rate x 1, SATA-2
USB	6 USB 2.0 ports (4 ports in the rear I/O region, 2 ports with on-board pin headers)
WDT	Generates system reset; 256 segments
iAMT	Wired LAN only

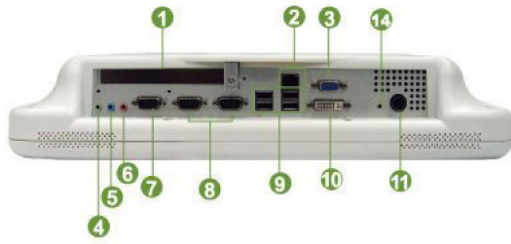
LCD Panel	
Panel	17", 1280x1024, 380nits
Touch	Resistive type

Storage	
HDD	2.5" SATAII HDD drive bay x 1 (with anti-vibration mechanism)

Expansion	
PCI/PCI-Ex16	PCI2.2orPCI-E1.1 slotx 1
Mini-PCle	52-pin Card - edge type x 2

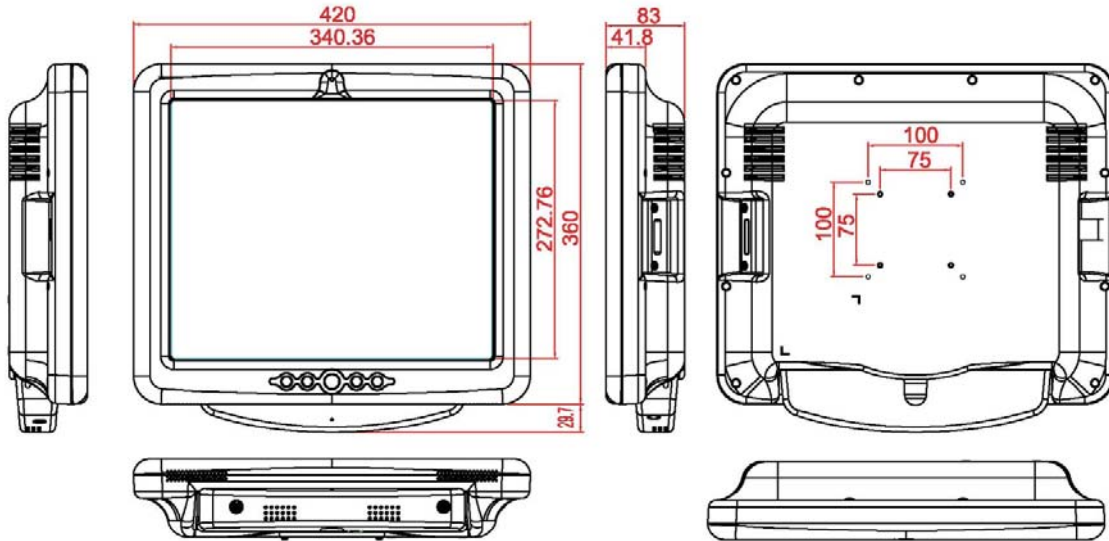
External I/O	
VGA	DB-15x1
DVI	DVI-D (Will be disabled when PCI-E x16 graphic card inserted)
Audio jack	3.5mm phone jack connector (Line-in, Line-out, and Mic-in)
USB	USB 2.0x4
COM	DB-9x3
LAN	RJ45 x1 for Gigabit Ethernet
Power	DC-In connector x 1
Switch	Reset key
Speaker	2Wx2
Front Bezel	LED Indicator/ Hot Key (Power Button/ Audio adjustment +/- / Brightness ▀>/-)

Mechanical and Environmental	
Power Input	DC12V-28V
Power Adapter	AC 90 - 264V / 47 - 63 Hz / DC output 12V
Operation Temperature	0-40°C
Operation Relative Humidity	10%~90%, non-condensing
Dimension	420 x 360 x 83mm (W X H X D)
Weight	6.5kg without AC adapter
Mounting	VESA Mount 75/100mm
Regulations	FCC-B, CE, VCCI, EN60601-1, EN60601-1-2, UL60601-1
IP65 at front/IPX1 compliance	



- | | |
|---------------------|-----------------|
| 1 PCI or PCI-E Slot | 8 RS232 |
| 2 Giga LAN | 9 USB |
| 3 VGA | 10 DVI-D |
| 4 Line-out | 11 Power DC-in |
| 5 Line-in | 12 Rubber cover |
| 6 Mic | 13 I/O cover |
| 7 RS232 / 422 / 485 | 14 Reset |

Mechanical Drawing:



Optional:

- 2.0 M Webcam
- WLAN card
- TV tuner card/video capture card
- IO cover with microphone
- Stand with Anti-Bacteria coating
- Temper glass on LCD
- DC to DC cable

Key Features:



HDD Anti-vibration



Wireless LAN



TV tuner or Video Capture