

Medical Panel PC

Wireless LAN

Web Camera

Fanless Medical Grade All-in-one 24" Wide, Projective capacitive touch panel, Full Flat, Full HD 1920 x 1080, 250 nits, Intel Panel PC, BGA1364 for 4th generation Intel® mobile Core i5 processor (25W max.), 4GB Memory, 320 GB HD, UL/cUL 60601-1 version 3, FCC/VCCI class B / EN 60601-1 / EN60601-1-2:2007 / ISO 14971 / Energy star 6.1 compliance / IEC62133
(Model: WMPC-2400i5)



Features:

- 24" Intel Haswell Fanless Medical Panel PC
- 24" FHD 1920x1080 MVA LED panel
- Intel 4th gen. Haswell Core i7/i5/i3 CPU
- P-CAP multi-touch with 10 fingers
- Medical UL60601-1 3rd edition certification
- Anti-bacteria (MRSA) plastic housing
- Optional PCI/PCIe expansion slot
- Seamless in front & ultra slim 65mm only
- Easy wipe surface with no internal corner
- IP65 at front side, IPx1 for whole system
- Friendly design of Function hot-deys
- DVI-D video input for direct digital display
- Friendly design of LED reading light bar
- Optional 4KV LAN/COM/USB isolation I/O
- Optional built-in battery pack
- Optional optical device (DVD or DVD-RW)

System

CPU	BGA1364 for 4th generation Intel® mobile Core i5 processor (25W max.)
Chipset	Intel® DH82QM87 PCH
VGA	Intel® integrated HD Graphics 4600
Memory	Two 1600 MHz DDR3/DDR3L SODIMM socket support dual Channel, non-ECC, up to 16GB
Serial ATA	SATA 3, 600 MB/s transfer rate x 2 support RAID 0, 1, 5; mSATA via Mini-PCIe (Thru SATA III) x 1
USB	External USB 3.0 x 1 (Type A), USB 2.0 x 3 (Type A) x 9 (socket), (USB 3.0 external x 4, USB 2.0 internal x 5)
COM	x 2 (RS-232 x 1, RS-232/422/485 x 1)
Audio	Realtek ALC262 Audio Codec, 5 + 5 watts power amplifier
LAN	Marvell 88E8071 Giga LAN x 2 AMI BIOS, 4M EEPROM •Brand: AMI (UEFI)
BIOS	•Flash ROM size: 64 Mb •Support RTC wakeup /Wake on LAN /Power on after power failure/PnP/ACPI/RTC
Speaker	5W x 2
Microphone	X1

LCD Panel

Size	24" wide 16:9
Resolution	Full HD 1920 x 1080
Brightness	250 nits
Contrast	3000:1
Color numbers	16.7M colors (true 8-bit)
Viewing angle	178 (H) / 178 (V)
Response time	12 ms (Typ)
Backlight	LED, 30,000 hours life time

Touch Panel

Type	Front full flat touch panel
Technology	Projective capacitive touch panel (10 fingers)
Light transmittance	90% ± 3%
Hardness	7H pencil, pressure 750g/45°
Input Mode	Finger, thin gloved hand or conductive stylus
Resolution	100ppi to 25ppi Based WIN7 definition ppi (Pixel per inch)
Life time	100M times

Storage & Expansion

HDD	2.5" SATA HDD drive bay x 1, mSATA via Mini PCI-E (Thru SATA III) x 1
2nd Storage	DVD drive / or 2nd HDD / or Card reader x 1 •PCI-E x 16 expansion slot x 1(60W max) or PCI 2.2 x 1 (25W max) Card size: 114mm (W) x 190mm (D) x 25mm(H), Mini PCIe x 2 (52 pin card-edge type), Mini-PCIe x 2 (52 pin card-edge type)
Expansion slot	

I/O & Control Keys

USB	USB 3.0 x 4 , USB 2.0 x 2 (Default)
COM	RS232 x 1, RS232/RS422/RS485 x 1 (RS-485 auto flow support)
LAN	RJ-45 x 2, Gigabit
Video-out	DP x 2
Video-in	DVI-D x 1
Audio	Line-out, Microphone-in (3.5 mm phone-jack)
Power input	DC-in x 1, 7V~32V (7V~28V with battery pack) . Front side, projected capacitive type . Power, brightness, audio volume, read light, display, backlight, touch on/off, programmable button
Control keys	

Power

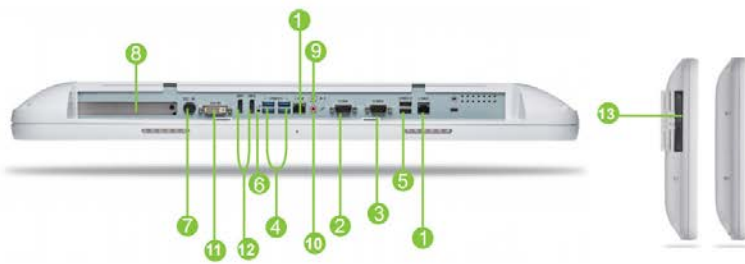
Power adaptor	AC input 90 ~ 264V / 47 ~ 63 Hz / DC output 12V, medical grade, 1.2m DC cable
Power consumption	92.22 W (MAX. loading without adapter)
Internal battery	Built-in battery backup function (by EC solution)

Mechanical and Environmental

Housing	Front: Full flat design, Rear: Plastic + I/O cover w/ antibacterial treatment, Anti-bacteria (MRSA)
Color	Housing: White, Control key icons: Silver Grey (Panton no. Cool grey 8C)
IP Rating	IP65 – front side, IPx1 whole system
Cooling	Fanless
Mounting	VESA 75 x 75 / 100 x 100 mm
Kensington lock	Yes, bottom x 1
Dimension	606 (H) x 398 (V) x 65.6 (T) (mm x mm x mm)
Weight (net)	9 kg (w/o power adapter) . Operating : 0°C-40°C (chamber) . Storage : -20°C-60°C
Temperature	
Humidity	Operating & storage – 10%-90%, non-condensing UL/cUL 60601-1 version 3, FCC/VCCI class B / EN 60601-1 / EN60601-1-2:2007 / ISO 14971 / Energy star 6.1 compliance / IEC62133
Regulatory	



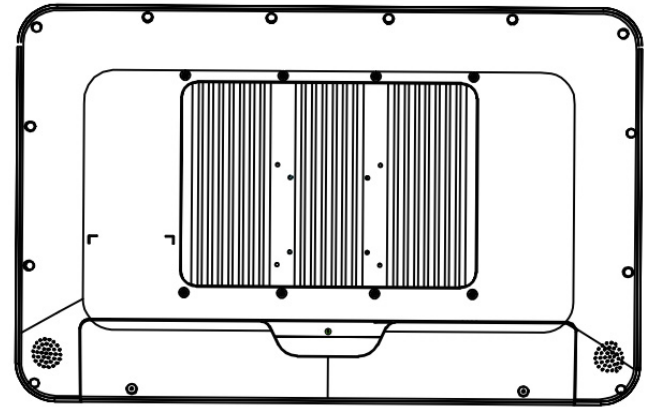
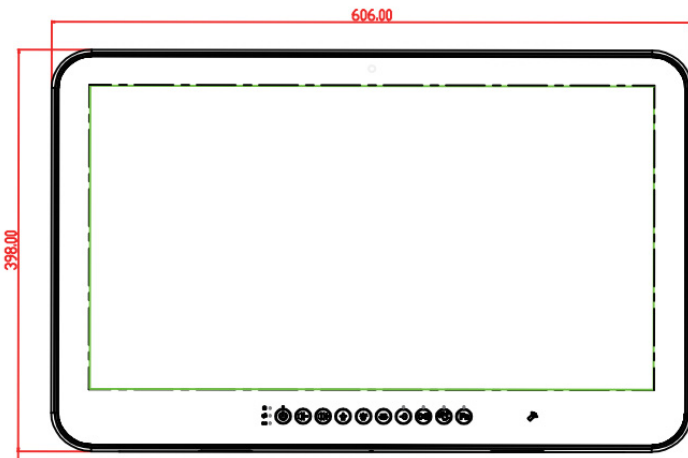
I/O Connectors:



(Default without DVD)

- | | |
|-----------------|-------------------------|
| 1 LAN x 2 | 8 PCI-E/PCI expansion |
| 2 RS232/422/485 | 9 Line-out |
| 3 RS232 | 10 Microphone-in |
| 4 USB 3.0 x 4 | 11 DVI-D (Input) |
| 5 USB 2.0 x 2 | 12 DP Port x 2 (Output) |
| 6 Reset | 13 DVD (Option) |
| 7 DC-in | |

Mechanical Drawings:



Packaging / Options / Customization

Packaging

System, power adaptor, AC power cord, DVD (drivers & manual)

Options

- WLAN – 802.11 a/b/g/n mini PCIe module with internal antenna x 2
- 802.11a/b/g/n dual-band 2T2R with Bluetooth
- Webcam (5M pixel, USB, auto focus)
- 28W battery pack
- RFID reader (13.56Hz, USB)
- PCI-E x16 or PCI riser card
- Power adaptor w/ 2.4m or 3.6m DC cable
- Anti-bacteria desktop stand (metal, white)
- Equipotential terminal pin
- TPM v1.2 module
- Video Graphic card (PCI-E x 16)
- PoE card (PCI-E x 4)
- CFast card
- AG Film
- mSATA module
- 2nd HDD
- 4KV Isolation Card x 1
(Isolation COM x 2, Isolation LAN x 1, Isolation USB x 1)



4KV Isolation Card



LED reading light bar

Customization

- Add extra two COM ports
- Smart card reader / or DVD drive

