

MILITARY GRADE RACKMOUNT DISPLAY

9U Military Grade Rugged 20.1" Rackmount LCD 1600x1200 300NITS
with PIP Features with 20.1" 5 Wire Resistive Touch / RS232 Controller
+Touch with EMI Mesh Filter

Model: WMRM920-PIP-TRS-EMI-ATI



FEATURES:

- Compliant MIL-STD 810G/ MIL-STD 461E Rack Mount Display
- Rack mount mechanical design, supports VESA mount
- High image quality, 1600 x 1200 pixels resolution
- 5 Wire Resistive Touch /RS232 Controller +Touch with EMI Mesh Filter
- Military-grade power connector (MIL-DTL-38999/1)
- AC 100-240V, Universal, $\pm 10\%$; DC 9-36V, $\pm 10\%$ (Optional)
- Resistive Touch (Optional)
- Build-in Light Sensor for Auto Brightness Control



SPECIFICATIONS

DISPLAY			
Resolution	1600x1200	Size	20.1 inches
Contrast Ratio	1400:1	Panel Brightness	300 nits
Display Color	16.7M Colors	View Angles	85,85,85,85
Active Area	408x306 mm	Touch / Glass	5 Wire Resistive Touch
ENVIRONMENT			
Operating Humidity	10% to 95% RH	Operating Temperature	0~50°C
Storage Temperature	-10°C~60°C		
COMPLIANCE			
MIL-STD 461E/F	RE101 /RE102 CE101 /CE102 with EMI Glass / Touch(Optional) RS101 /RS 103 CS101 /CS 106/CS 109/ CS114/ CS115/ CS116	MIL-STD 810F/G	Vibration Method 514.5 Humidity Method 507.4 Transit Drop Method 516.5
CERTIFICATION			
Certification	CE, FCC		
IO Ports			
Video	1 x15 Pin D-Sub 5 xBNC 1 xDVI-D		
MECHANICAL			
Dimension	482.6x399.3x80 mm	Mounting	Rack Mount/ VESA Mount
Enclosure	Metal Housing with Aluminum Bezel	Cooling System	Fanless Design
POWER			
Power Rating	AC 100-240V, Universal, $\pm 10\%$ DC 9-36V, $\pm 10\%$ (Optional)		
ACCESSORY			
Accessory	1 x User Manual(Hardcopy) 1 x Power Cord MIL-DTL-38999/1 1 x VGA Cable 1 x DVI Cable 1 x VGA to 5 BNC Shielding Cable		

*Specifications subject to change without notice, not responsible for typographical errors.

Modified Date: 06-02-2022

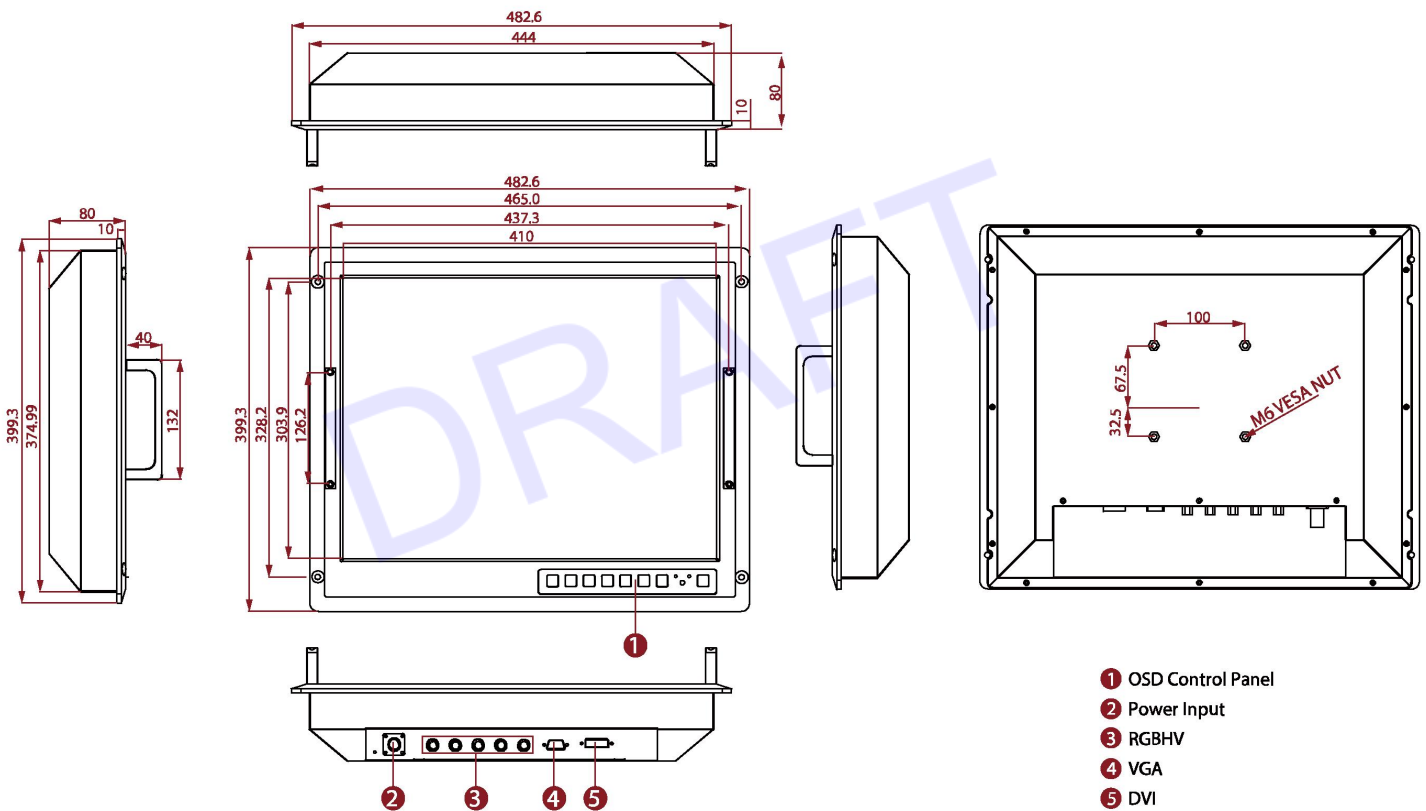
CONTROL

Button

8 key:
 Power
 Menu
 Auto
 Volume Up/ Swap
 Volume Down/PIP
 Brightness Up
 Brightness Down
 LED Adjustment

MECHANICAL DRAWINGS UNIT: MM

This is subject to change without Notice. Final Drawings Will be Provided for Approval after Order.



Drawing No.: WMRM920-PIP-TRS-EMI-ATI-06022022-V1