

# Shopping Window Interactive Digital Signage Showcase Touch

42" Showcase Touch

Model: WPC-CH4200-SCT



## Features

Touch activated through a project screen (Shopping window glass)  
Maximum 15mm sending distance  
Intel Core 2 Dual CPU + Q965 Platform  
Compact and low noise design  
One PCI-EX16 Slot for Expansion  
One PCI-EX1 Slot for Expansion  
Dual Giga LAN  
PCI-E mini Card Extension  
Video Capture / TV tuner / Wireless LAN (Option)  
Support High Definition content & 3D application  
Easy to swap PC board and option kits  
Easy to pack, carton dimensions are small  
Stylish Looking (Thin / Ergonomic Design / Narrow Front Bezel)  
Noise Level under 38 dB

## System

CPU	Socket 775, Intel Core 2 Duo Up to 2.66GHz (65W)
FSB	800MHz / 1066MHz
Chipset	Intel® Q965 chipset: •Intel Q965 Graphic Memory Controller Hub (GMCH) •Intel ICH8 I/O Controller Hub
BIOS	8Mb AWARD Flash BIOS
VGA	Intel Q965 integrated graphic subsystem (GMA3000)
Audio	Realtek ALC268 AC97 Audio Codec 2+2 channels
LAN	Realtek 8111B Giga LAN x 2
Memory	Two 240-pin DDRII 533/667/800 DIMM sockets (dual channels), supports max. 4 GB system memory
I/O	ICH8
Serial ATA	Port x 4
GPIO	8-bit input, 8-bit output (5V) (pin head design in)
WDT	1-255 minutes, software programmable

## Storage

HDD	3.5" SATAII HDD drive bay x 1 With tray for easy replacement
-----	--

## Expansion

PCI-E mini card slot	x 1 ((for wireless card))
PCI-Ex16	x 1 (full size, one slot)
PCI-Ex1	x 1 (full size, one slot)

## Display

Resolution (pixel)	Full HD (1920 x 1080)
Aspect Ratio	16:9
Active Area (mm)	930.24 x 523.26
Pixel Pitch (mm)	0.4845
Number of Colors	16.7M (8 bit)
View Angle (H/V)	178 / 178
Brightness (cd/m <sup>2</sup> )	500
Contrast Ratio	2500:1
Response Time (ms) (at 25°C)	6.5 (gray to gray)
Interface	2ch LVDS
CCFL life time	60,000 hours
Light Source	18 CCFL

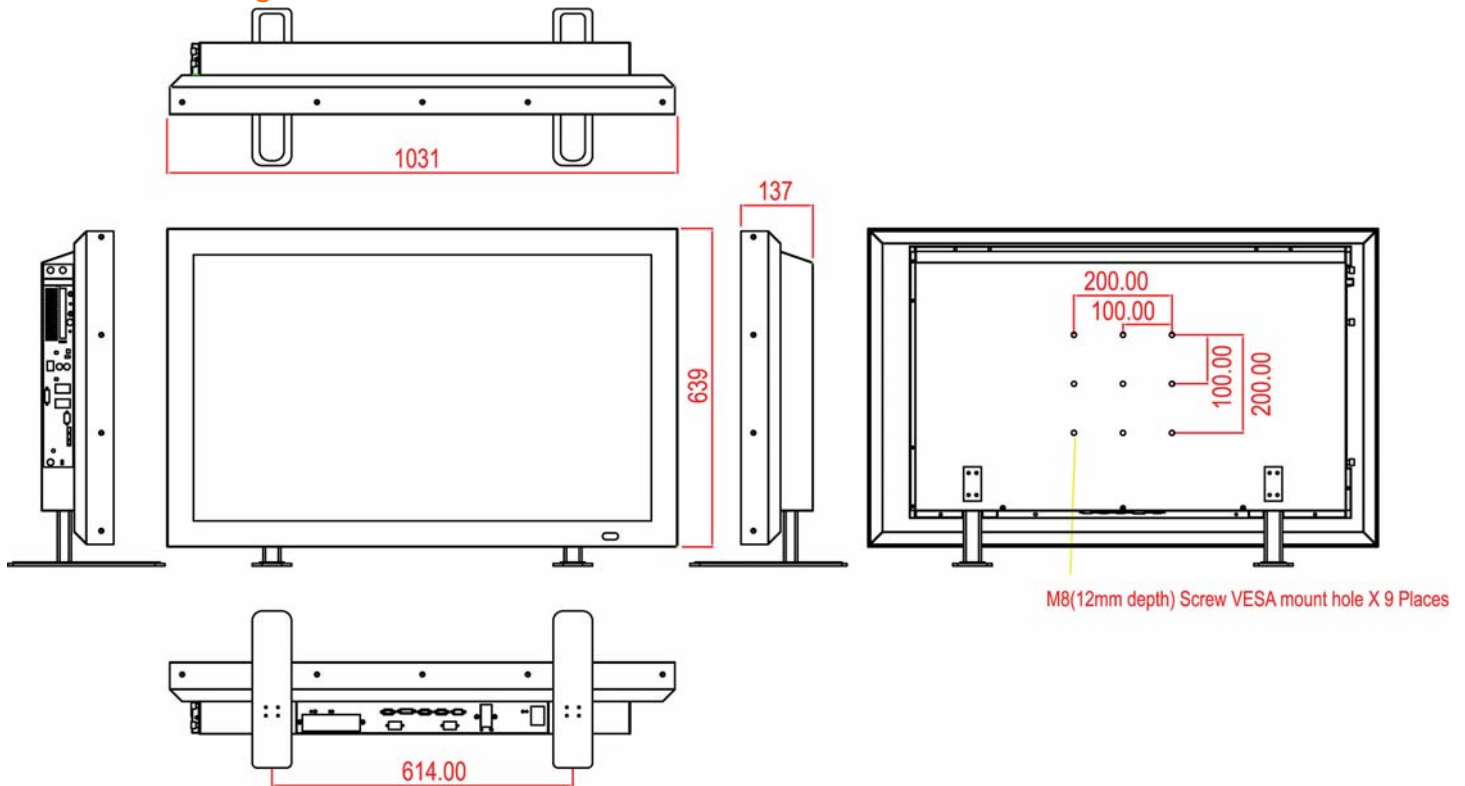
## Touch

Maximum sensing distance	15 mm
Sensor Resolution	Glass with embedded micro-fine sending array
Speed of response	<1 mm
Position Accuracy	<10 ms
Optical Resolution	<1.5 % of reported position recommended viewing area
Light transmission	>4lines/mm
Haze	>90%
Resistance to contamination	>3% (Gardner Haze)
Water Resistance	Sensing media protected by glass.
Immunity to damage	Unaffected by water droplets of condensation
Stylus Type	Glass surface with no moving parts
Hardness	Finger, Gloved Hand
	Glass hardness –Mohs 7

## Power

Power	AC-In connector x 1, with locker
Power Input	Direct AC connector, 100-240VAC, 50/60Hz
Power consumption	Maximum 375W
Power Switch	Main switch to turn on/off AC power (at the bottom side) Switch to turn on/off mother board (at the external I/O of PC side)
Power LED	Power and HDD indicator at PC board external I/O side (LED colors: Power: Green / Orange: HDD accessing)

## Mechanical Drawing:



## Mechanical and Environment

Color	Standard: Black, Option: Silver
Operating Temperature:	20°C ~ 40°C
Storage Temperature	-30°C ->+ 70°C
Operating Humidity	90&RH @ 40°C
Storage Humidity	90&RH @ 40°C

## Add-on Options

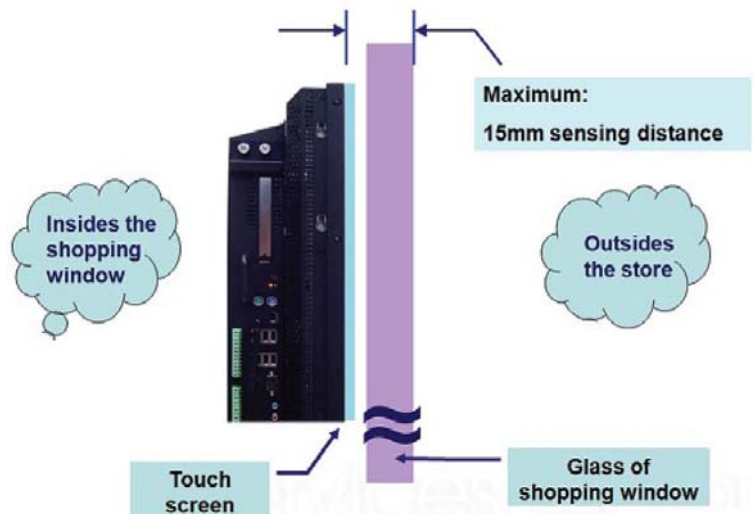
1. TV tuner & Video capture card
2. Wireless LAN card
3. VGA card function
4. Stand x2
5. Bottom I/O cover
6. Side I/O cover
7. Web camera (1.3M pixels)
8. Speakers (5W+5W) (landscape or portrait)
9. Wall mount bracket (200 x 200 mmxmm)
10. Magnetic stripe card reader

Dimensions and Weights	
Description	WPC-CH4200A-SCT
Dimensions (with stand) mm (W) x mm (H) x mm (D)	1031 X 726X 137
Dimensions (without stand) mm (W) x mm (H) x mm (D)	1031 X 639 X 137
Weight (with stand)	48.0
Weight (without stand)	46.0

## External I/O

USB	USB 2.0 x 4 (external x 4, internal x 4)
COM	RS232 x 1 (external: RS-232 x 1, internal RS-232/422/485x1)
LAN	RJ-45 x 2 (Gigabit Ethernet)
KB/Mouse	PS/2 Keyboard x1 & Mouse x 1
Audio	Line-in, Mic-in, Line out audio jacks
DVI-D output	x 1
IEEE1394 Fire wire	x 1 (optional)
GPIO connector	8 in 8 out (optional)
VGA output	x 1
VGA input	x 2
DVI-I input	x 1
RS232	x 1

## The Theory



## Ordering Information

1. WPC-CH4200A-SCT: (black body)-C2D2.6G CPU-1G RAM-80G HDD