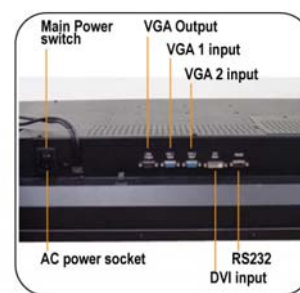
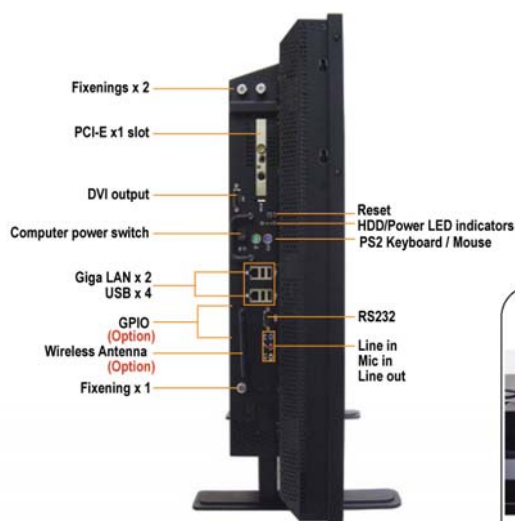


All-in-One (Interactive) Digital Signage

42" All-in-one (Interactive) Digital Signage

Model: WPC-CH4200A



I/O Ports

Bottom View

Features

Deliberated System Integration Solution
Easy to Swap Mother board / HDD
IO connectors are easily accessed
Stylish Looking (Thin /Ergonomic Design /Narrow front Bezel)
Support 1920x1080 High De_nition and 3D video content
Intel Core 2 Dual CPU + Q965 + ICH8 Platform
One PCI-Ex16 Slot for expansion
One PCI-Ex1 Slot for expansion
Dual Giga LAN
PCI-E mini Card slots for expansion
Video Capture / TV tuner / Wireless LAN
VGA output for Multiple Display Solution

System

CPU Socket 775, Intel Core 2 Duo Up to 2.66GHz (65W)
FSB 800MHz / 1066MHz
Chipset Intel® Q965 chipset:
•Intel Q965 Graphic Memory Controller Hub (GMCH)
•Intel ICH8 I/O Controller Hub
BIOS AWARD Flash BIOS
VGA Intel Q965 integrated graphic subsystem (GMA3000)
Audio Realtek ALC268 AC97 Audio Codec 2+2 channels
LAN Realtek 8111B Giga LAN x 2
Memory Two 240-pin DDRII 533/667/800 DIMM sockets (Dual channels), supports max.4GB system memory
I/O ICH8
Serial ATA Port x 4
GPIO 8-bit input, 8-bit output (5V) (pin head design in)
WDT 1~255 minutes, software programmable

Storage

HDD 3.5" SATAII HDD drive bay x 1

Display

Resolution (pixel)	Full HD (1920 x 1080)
Aspect Ratio	16:9
Active Area (mm)	930.24 x 523.26
Pixel Pitch (mm)	0.4845
Number of Colors	16.7M (8 bit)
View Angle (H/V)	178 / 178
Brightness (cd/m ²)	500
Contrast Ratio	2500:1
Response Time (ms) (at 25°C)	6.5 (gray to gray)
Power Consumption (W)	187
Interface	2ch LVDS
Supply Voltage (V)	12
CCFL life time	60,000 hours
Light Source	18 CCFL

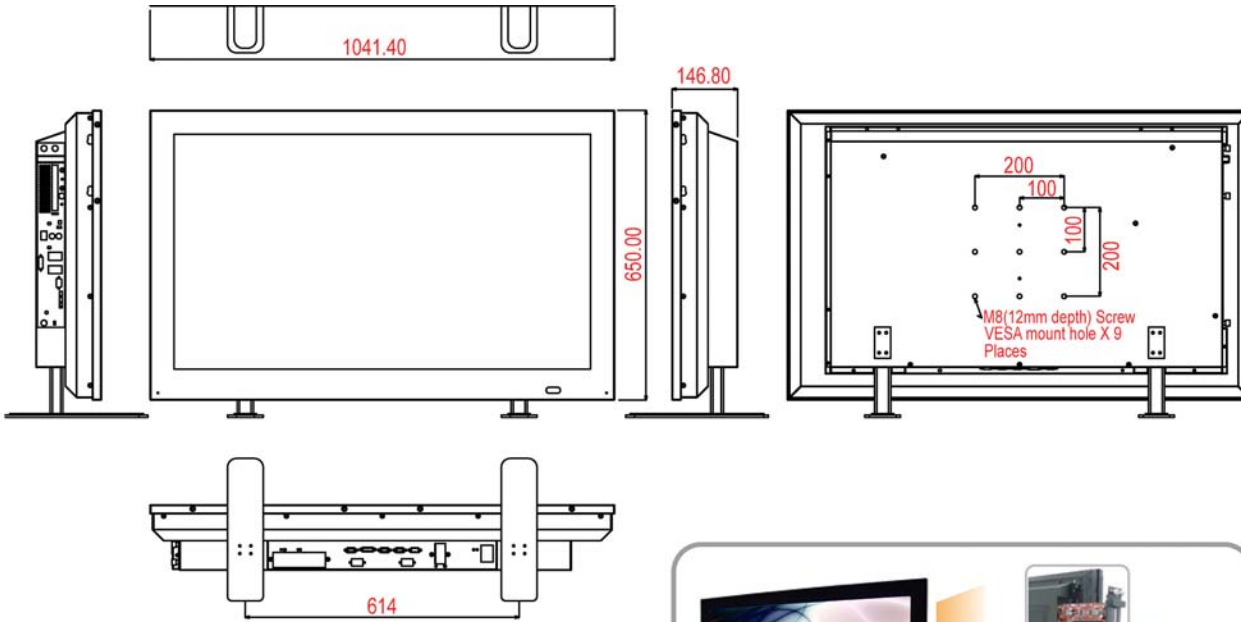
Expansion

PCI-E mini card slot	x 1
PCI-Ex16	x 1 (full size, one slot)
PCI-Ex1	x 1 (full size, one slot)

Add-on Options

1. TV tuner function & Video capture function
2. Wireless LAN function: by PCI-E mini card
3. VGA card function
4. Stand x2
5. Bottom I/O cover
6. Side I/O cover
7. Web camera (1.3M pixels)
8. Speakers (5W+5W) (landscape, portrait)
9. Wall mount bracket (200 x 200 mmxmm)
10. Magnetic stripe card reader

Mechanical Drawing:



1. Fanless Panel PC
2. Medical All-in-one Solution
3. Engine BOX
4. All-in-one Digital Signage Solution
5. XPe Solution
6. Remote Device Management (WRDM)



Power

Power	AC-In connector x 1, with locker
Power Input	Direct AC connector, 100~240VAC, 50/60Hz
Power consumption	375W
Power Switch	Main switch to turn on/off AC power (at the bottom side) Switch to turn on/off mother board (at the external I/O of PC side) Power and HDD indicator at PC board external I/O side
Power LED	Power and HDD indicator at PC board external I/O side (LED colors: Power: Green / Orange: HDD accessing)

External I/O

USB	USB 2.0 x 4 (external x 4, internal x 4)
COM	RS232 x 1 (external: RS-232 x 1, internal RS-232/422/485x1)
LAN	RJ-45 x 2 (Gigabit Ethernet)
KB/Mouse	PS/2 Keyboard x1 & Mouse x 1
Audio	Line-in, Mic-in, Line out audio jacks
DVI-D output	x 1
IEEE1394 Fire wire	x 1 (optional)
GPIO connector	(optional)
VGA output	x 1
VGA input	x 2
DVI-I input	x 1
RS232	x 1

Mechanical and Environment

Color	Standard: Black, Option: Silver
Operating Temperature:	0°C ~ 40°C
Storage Temperature	-20°C ~ 60°C
Operating Humidity	10 ~ 80%
Storage Humidity	10 ~ 80%
Noise level under 38 dB	

Dimensions and Weights

Description	WPC-CH4200A	WPC-CH4200A-IR	WPC-CH4200A-TG
Dimensions (with stand) mm (W) x mm (H) x mm (D)	1026.4x681.3x320	1041.4x689x320	1041.4x689x320
Dimensions (without stand) mm (W) x mm (H) x mm (D)	1026.4x630.5x129.1	1041.4x650x146.8	1041.4x650x146.8
Weight (with stand)	42	49.5	47
Weight (without stand)	36	43.5	41

Ordering Information

1. WPC-CH4200A: (bezel + black body)-C2D2.13G CPU-512M RAM-80G HDD
2. WPC-CH4200A-IR: (bezel + black body + IR touch)-C2D2.13G CPU-512M RAM-80G HDD