

All-in-One (Interactive) Digital Signage

47" All-in-one (Interactive) Digital Signage

Model: WPC-CH4700



Side I/O cover



Bottom I/O cover

Features

47" All-in-one Digital Signage with Industrial grade Engine box integrated.
Intel Core 2 Dual CPU + Q965 + ICH8 Platform
Display controlled by industrial pc mother board through RS232.
IR touch integration
Deliberated system integration solution.
Stylish looking
Support 1920x1080 HDTV content & 3D application
PCI-express Slot for expansion
RoHS compliance

System

CPU	Socket 775, Intel Core 2 Duo Up to 2.66GHz (65W)
FSB	800MHz / 1066MHz
Chipset	Intel® Q965 chipset: •Intel Q965 Graphic Memory Controller Hub (GMCH) •Intel ICH8 I/O Controller Hub
BIOS	8MB AWARD Flash BIOS
VGA	Intel Q965 integrated graphic subsystem (GMA3000)
Audio	Realtek ALC268 AC97 Audio Codec 2+2 channels
LAN	Realtek 8111B Giga LAN x 2
Memory	Two 240-pin DDRII 533/667/800 DIMM sockets (Dual channels), supports max.4GB system memory
I/O	ICH8
Serial ATA	Port x 4
GPIO	8-bit input, 8-bit output (5V) (pin head design in)
WDT	1~255 minutes, software programmable
Photo sensor for brightness control	

Storage

HDD 3.5" SATAII HDD drive bay x 1

Expansion

PCI-E mini card slot	x 1
PCI-Ex16	x 1
PCI-Ex1	x 1

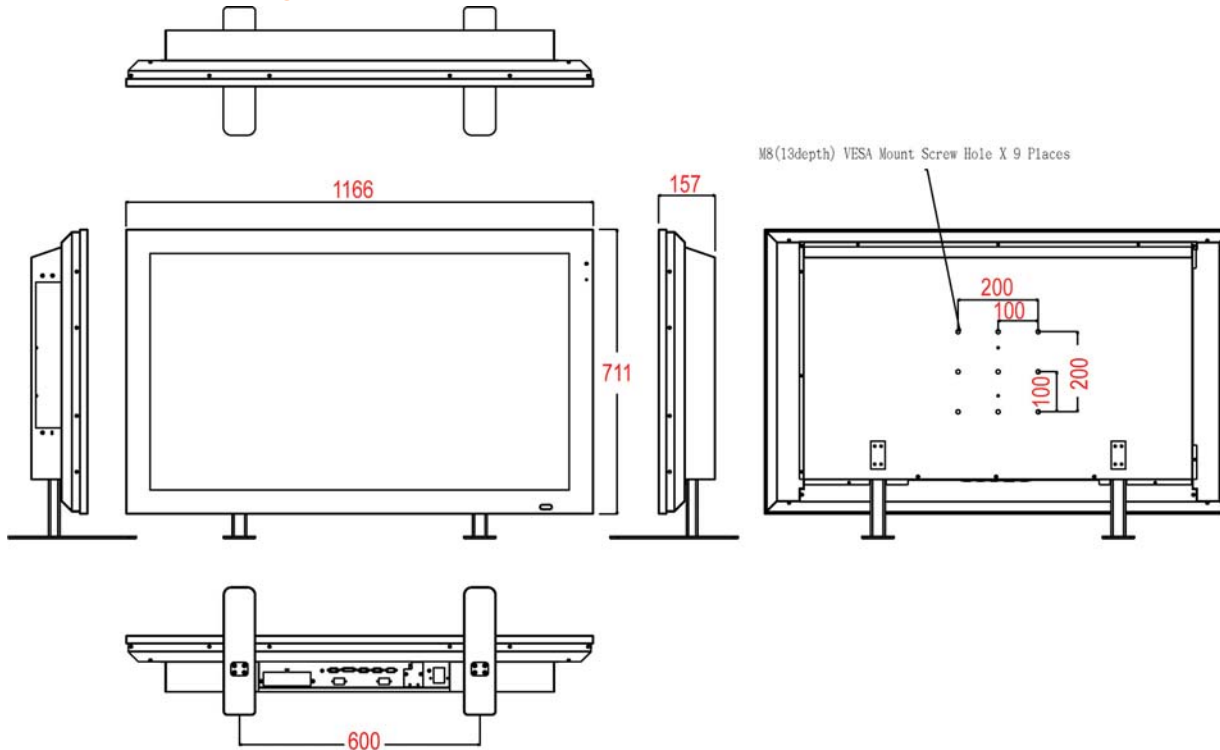
Display

Panel Size	47"
Resolution (pixel)	1920x1080
Number of pixel	2.1Mx (R,G,B)
Active Area (mm)	1039.68x584.82
Pixel Pitch (mm)	0.5415
View Angle (H/V)	(U/D/R/L,CR>20) 88/88/88/88
Contrast Ratio	2000:1
Response Time (ms) (at 25°C)	6.5 (Gray to Gray)
Color Depth	8bit (16.7M)
Color Gamut	(NTSC) 72%
Electrical Interface	2ch LVDS

Add-on Options

1. TV tuner function & Video capture function: COMPRO E300F, PCI-E x1 card
2. Wireless LAN function: by VIA VNT6656GEV00 PCI-E mini card
3. VGA card function: by TUL ATI HD 2600 Pro 512MB DDR2 128Bits
4. Stand x2
5. Bottom I/O cover
6. Side I/O cover
7. Web camera (1.3M pixels)
8. Speakers (5W+5W) (landscape, portrait)
9. Wall mount bracket (200 x 200 mmxmm)
10. Magnetic stripe card reader

Mechanical Drawing:



1. Fanless Panel PC
2. Medical All-in-one Solution
3. Engine BOX
4. All-in-one Digital Signage Solution
5. XPe Solution
6. Remote Device Management (WRDM)

Power

Power	AC-In connector x 1, with locker
Power Input	Direct AC connector, 100~240VAC, 50/60Hz
Power consumption	375W
Power Switch	Main switch to turn on/off AC power (at the bottom side) Switch to turn on/off mother board (at the external I/O of PC side) Power and HDD indicator at PC board external I/O side
Power LED	Power and HDD indicator at PC board external I/O side (LED colors: Power: Green / Orange: HDD accessing)

External I/O

USB	USB 2.0 x 4 (external x 4, internal x 4)
COM	RS232 x 1 (external: RS-232 x 1, internal RS-232/422/485x1)
LAN	RJ-45 x 2 (Gigabit Ethernet)
KB/Mouse	PS/2 Keyboard x1 & Mouse x 1
Audio	Line-in, Mic-in, Line out audio jacks
DVI-D output	x 1
IEEE1394 Fire wire	x 1 (optional)
GPIO connector	(optional)
VGA output	x 1
VGA input	x 2
DVI-I input	x 1
RS232	x 1

Mechanical and Environment

Color	Standard: Black, Option: Silver
Operating Temperature:	0°C ~ 40°C
Storage Temperature	-20°C ~ 60°C
Operating Humidity	10 ~ 80%
Storage Humidity	10 ~ 80%
Noise level under 38 dB	

Dimensions and Weights			
Description	WPC-CH4700	WPC-CH4700-IT	WPC-CH4700-TG
<i>Subtotal</i>	41.5	49.1	44.6
<i>Weight (without stand)</i>	41.5	49.1	44.6
<i>Weight (with stand) kg</i>	43.5	51.1	46.6
<i>Dimensions (without stand) mm (W) x mm (H) x mm (D)</i>	1166*711*141	1166*711*157	1166*711*144
<i>Dimensions (with stand) mm (W) x mm (H) x mm (D)</i>	1166*773*141	1166*773*157	116*773*144

Ordering Information

1. WPC-CH4700- C2D 2.6-512-80
2. WPC-CH4700-IT- C2D 2.6-512-80
3. WPC-CH4700-TG- C2D 2.6-512-80

