

# Rugged Transflective Sunlight Readable 15" Marine Panel Mount LCD 1024 x 768, 400 nits, Display IP65 with ELO 5W Resistive Touch USB

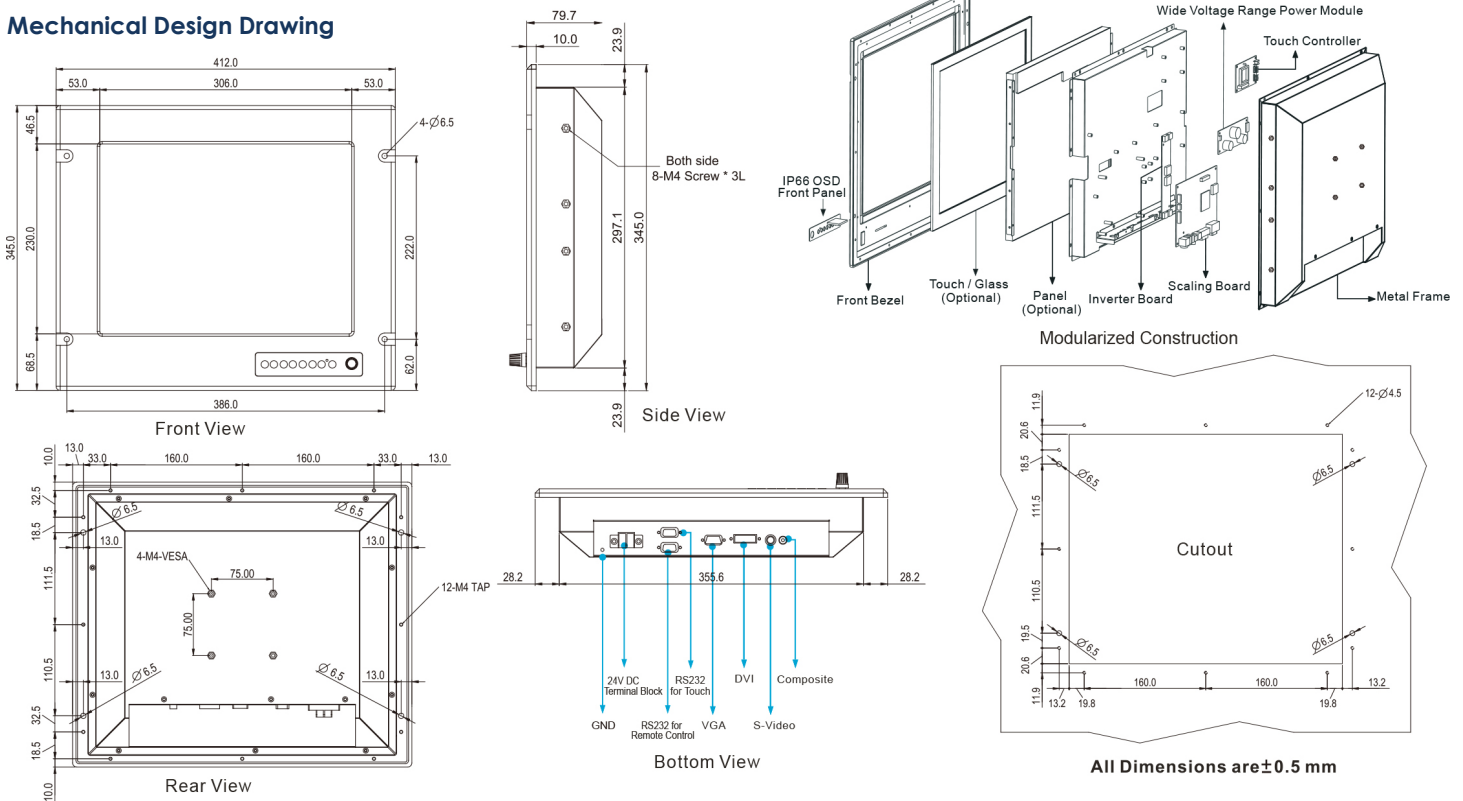
## Model: WPM-MAR-1500M2-ETR



### Features

- Hyper Dimming : Dimming knob control backlight brightness from nearly 0% to 100%
- High Quality Panel : High resolution 1024 x 768 panel
- Anti-Corrosion & IP Proof : IP66 aluminum housing with powder coating design (IP54 rear)
- Wide Voltage Range Input : 24 V DC to DC power input acceptable (Isolation Resistance)
- Touchscreen/ Protection Glass : High quality touchscreen / AR protection glass for option
- Multiscan Function : PIP (picture in picture) function and multi-video inputs
- IP65 OSD Front Panel Design : Ease of use front panel OSD control
- Anti-Shock and Vibration : Enhanced shock and vibration resistance

### Mechanical Design Drawing



### User Controls:

- Power On/Off via front button
- VR Brightness Knob Control
- Power Mode Status LED
- On Screen Display control(OSD)
- OSD Remote Control via RS-232

### TFT Characteristics

- Pixel Number : 1024 x 768
- Pixel Pitch(R&B) : 0.297 (H) x 0.297 (V) mm
- Contrast Ratio : 350:1 (typ.)
- Light Intensity : 400 cd/m (typ.)
- Viewable Angle : -75~75(H); -60~50(V)
- Active Display Area : 304.1 (H) x 228.1 (V) mm
- Max Colors : 16.7M (8bit/colors)

### Input Signals

- RGB Signal : D-SUB 15P connector(female)
- Composite Video : RCA phono plug
- S-Video Signal : S-Video (SVHS) plug
- DVI-D Signal : DVI-D input 24pin connector
- DC Power Signal : Screw terminal block
- AC Power Signal (Optional) : Std IEC Inlet
- Touch Screen (Optional) : D-SUB 9P connector (female)
- Remote via RS-232 (Optional) : D-SUB 9P connector (female)

### Power Specification

- Power Supply Options : 24 V DC power supply with Terminal block (Default, Isolation Resistance), 90 to 265V AC power supply
- Power Consumption : 40W typical, normal operation

### Mechanical and Environmental

- Mechanical Mounting : Panel (Flush) mount with IP66\*, VESA, Bracket mounting
- Operating Temperature : -15 to 55 deg.C (-20 to 60 deg.C for optional heating)
- Operating Humidity : 5% to 95% (non condensing)
- Anti-Vibration : 5Hz~500Hz / 1Grms/3 Axis
- Anti-Shock : 15G, 11ms duration
- \* SAW touch for IP54

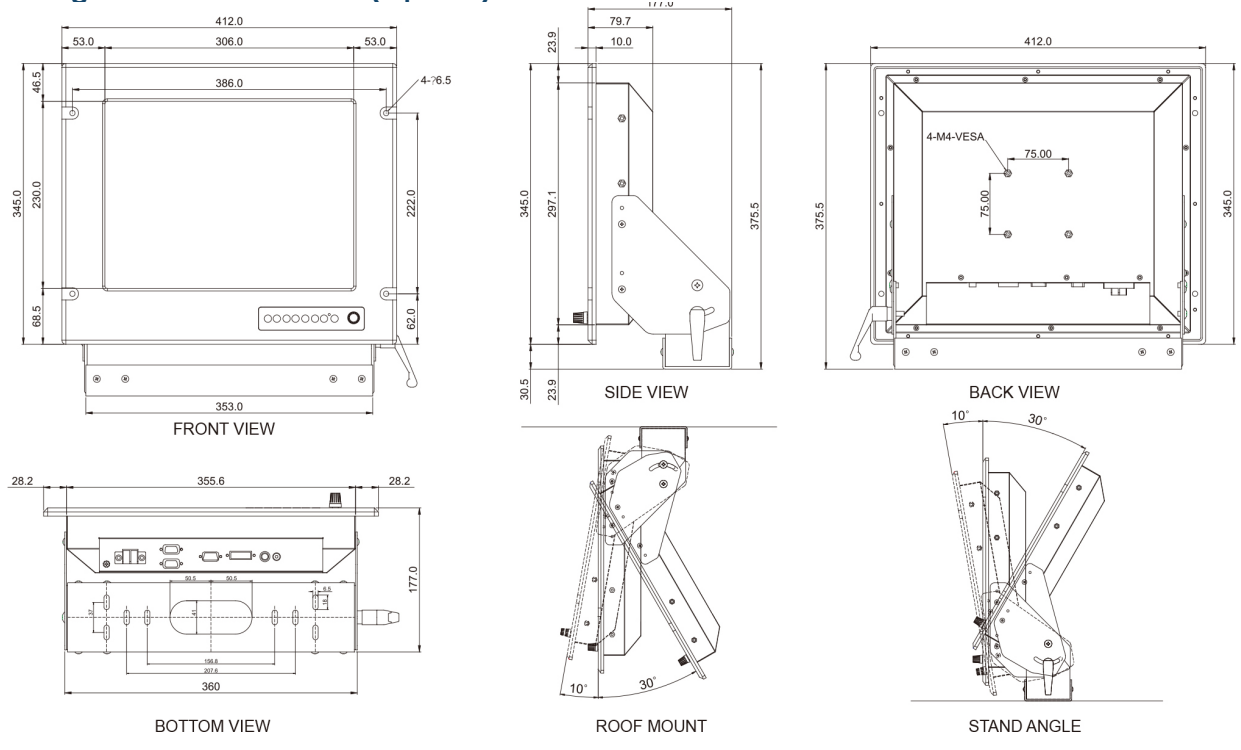
### Available Options

- Touch Screen Options : SAW, 5 Wire Resistive
- AR Safety Glass Option : 3mm Anti-reflective protection glass
- Transflective Options : Yes (Enhance Visibility)
- AC power Options : Yes (90 to 265 V AC power input)
- Bracket Mounting Options : Yes (One robust bracket can adjust from -10 to 30 deg.)

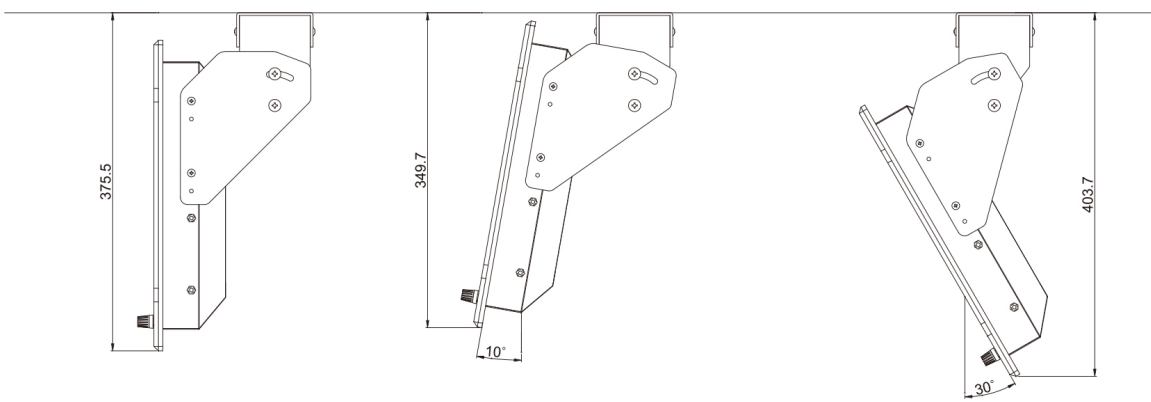


# Model: WPM-MAR-1500M2-ETR

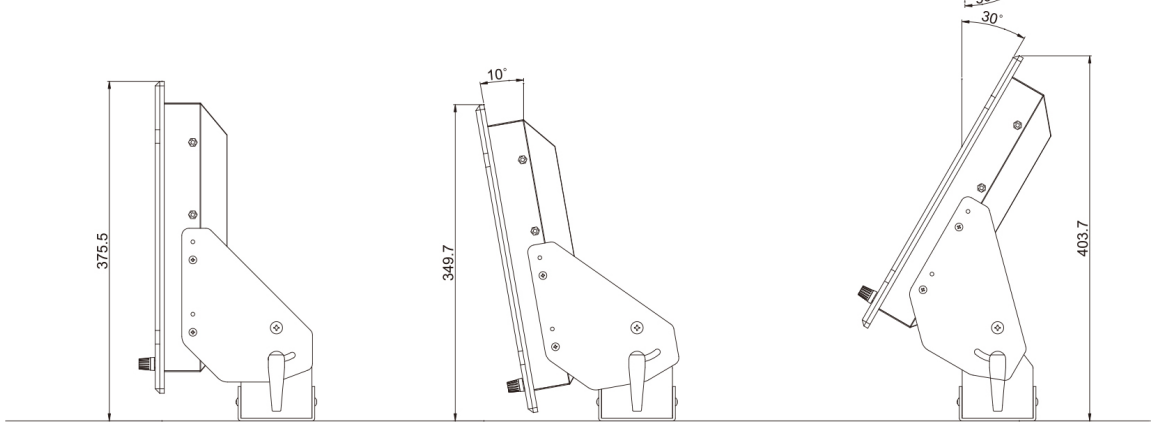
## Mechanical Design with Robust Bracket (Options)



### Roof Mount



### Stand Angle



All Dimensions are  $\pm 0.5$  mm

\* Note: this is a simplified drawing and some components are not marked in detail. Please contact our sales representative if you need further product information.

Certification and Approvals : IEC 60945, DNV 2.4, IACS-E10  
 DNV Type Approval, CE, FCC



\* Extra charge is required for back covers with bracket holes for products purchased before end of Nov. 08'



i-Tech Company LLC  
 TOLL FREE: (888) 483-2418 • EMAIL: [info@itechlcd.com](mailto:info@itechlcd.com) • WEB: [www.iTechLCD.com](http://www.iTechLCD.com)